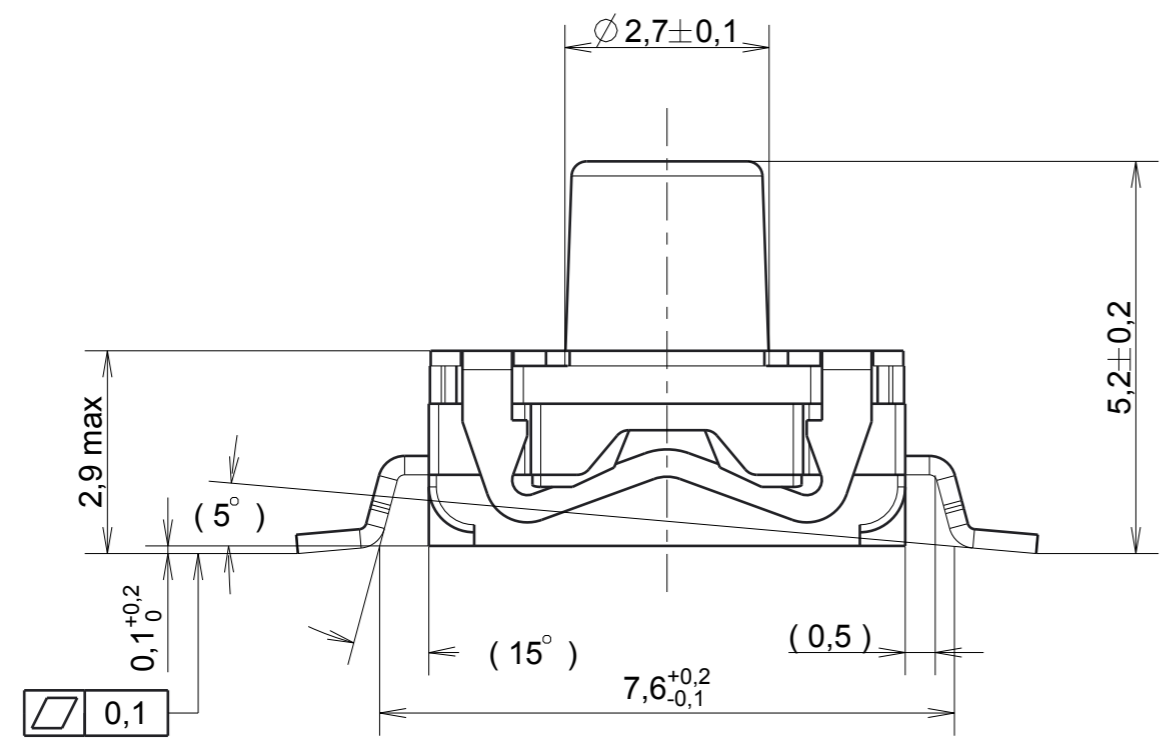


A B C D E F

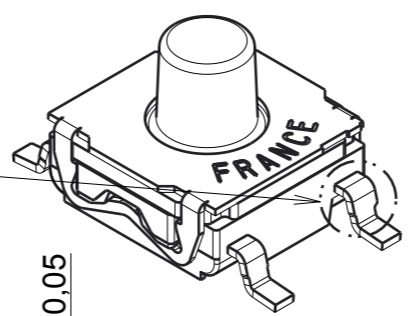
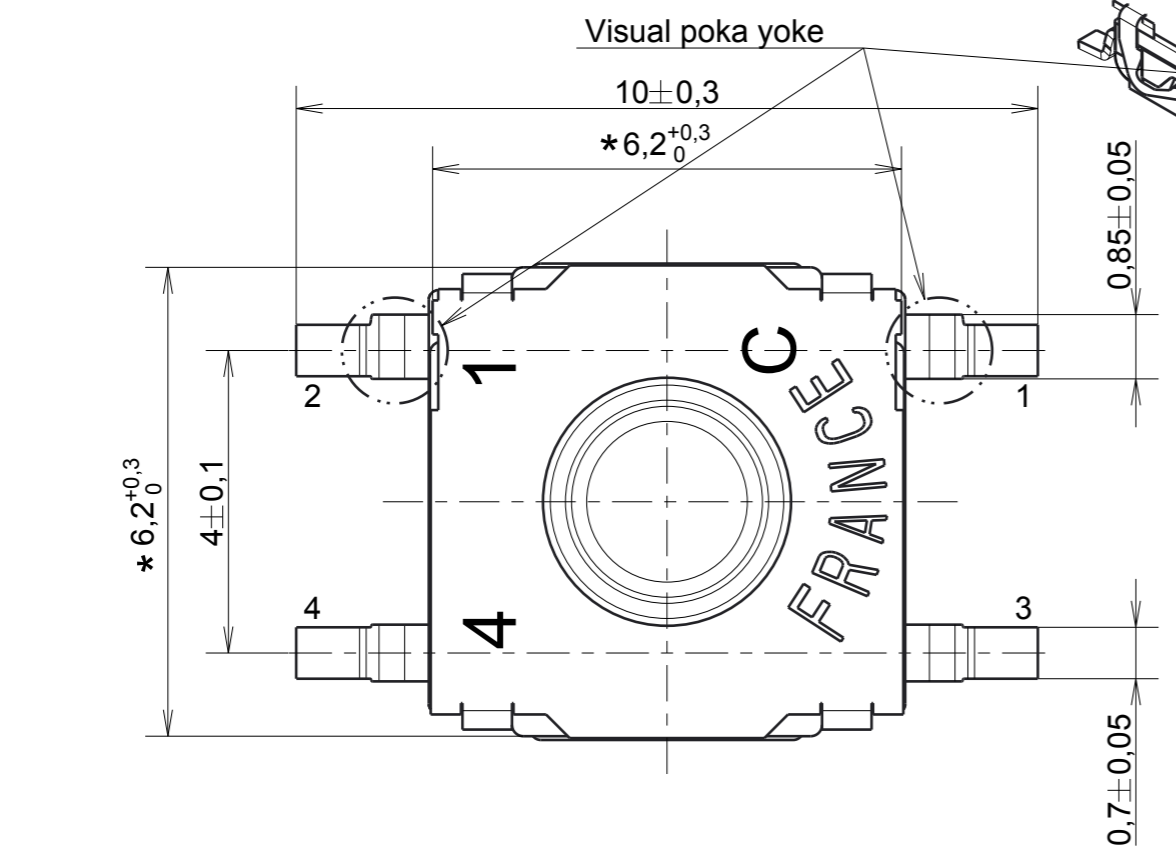
REV.	ECX	DESCRIPTION	DATE _{MM/DD/YY}	SIGN.
A	ECR-14706	KSC441G SPDT 70 Sh LFS \triangleright KSC441G DCT 70 Sh LFS	03/01/2018	LB
B	ECRO-17184	Dimension 0,85 added	10/22/2018	LB
C	ECO-19688	Marking on table 4 - 1 \triangleright 4 - 1 - C	12/20/2018	LB



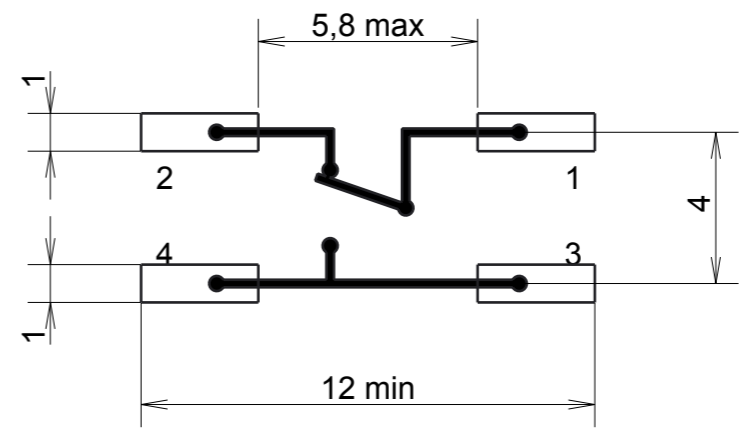
* Dimension on top plate or housing
After assembly, the seal can exceed the external dimension.
It can be 6,8 mm maximum.

* Cote sur cage ou P C F
La membrane d'etancheite peut dépasser apres sertissage.
Mesuree sur la membrane ,cette cote peut atteindre 6,8 mm

PART NUMBER	DESIGNATION	MARKING
Y31341445FP LFS	KSC441G DCT 70 Sh LFS	4 - 1 - C ●



SCALE 5



LAYOUT - PAD
SCALE : 5

1 - 2 NC
1 - 3 NO

SYSTEM CONFIDENTIAL

CONFIDENTIAL. This document and the information in it is the exclusive property of C&K and is not to be used or disclose without the express written permission of C&K.

CREATED BY BOUVIER_L	DATE - MM/DD/YY 09-06-2017	CRITICAL CHARACTERISTICS (CC) : VARIATION COULD AFFECT PRODUCT SAFETY OR COMPLIANCE WITH GOVERNMENT REGULATIONS	SURFACE FINISH Ra : .
APPROVED BY <i>Mayot, Jocelyn</i>	DATE - MM/DD/YY 01/03/19		SIGNIFICANT CHARACTERISTICS (SC) : VARIATION COULD AFFECT FUNCTION OR SATISFACTION OF CUSTOMER REQUIREMENTS
DESCRIPTION KSC441G DCT 70 Sh LFS		PROJECTION 	ANGULAR TOLERANCE ±1°
		STATE RELEASED	
		SCALE 10,000 SIZE A3 SHEET 1/1	
		REPLACE :	DOLE
			REV. C
CU31341445FPLFS			

A B C D E F