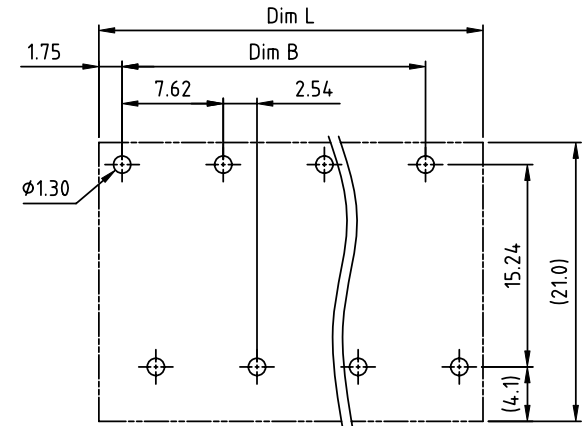
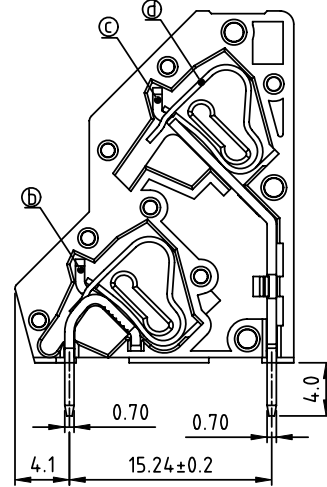
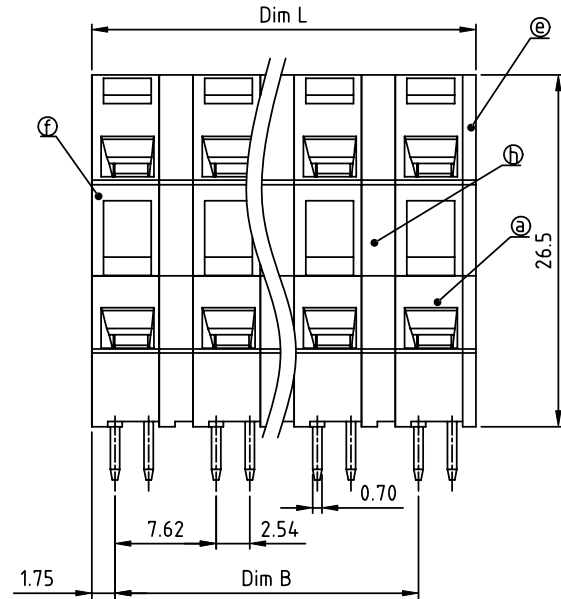


PRODUCT NUMBER	PITCH
HQxx50x100J0G	7.62mm



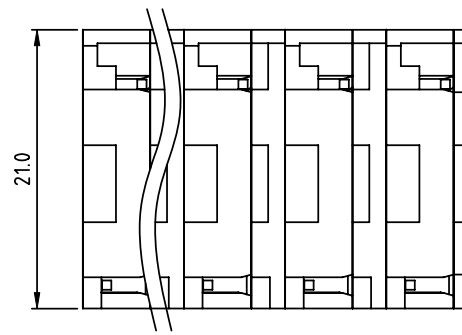
RECOMMENDED P.C.B LAYOUT  
TOP VIEW

Material:

- Item (e) Terminal housing: Thermoplastic( UL94V-0 )
- Item (f) Short pin: Brass, Tin plated
- Item (g) Long pin: Brass, Tin plated
- Item (a) Spring clamp: Stainless steel
- Item (b) Terminal cover: Thermoplastic( UL94V-0 )
- Item (c) Terminal side housing: Thermoplastic( UL94V-0 )
- Item (d) Pad board: Thermoplastic( UL94V-0 )

Electrical:

- cULus
- Voltage rating: 300V
- Current rating: 10A
- Wire range:
- Solid wire(AWG): 12-28
- Stranded wire(AWG): 12-28
- Wire strip length: 5-6mm
- Withstanding Voltage: 1.6KV
- Operating temperature: -40°C to +115°C
- Soldering temperature: 260°C±5°C/5 Sec
- Safety Approval: cULus



N=Number of poles  
Dim L=(N/2-1)×7.62+6.08  
Dim B=(N/2-1)×7.62

Poles	Dim L	Dim B
2×2p-2×4p	±0.10	±0.10
2×5p-2×8p	±0.15	±0.15
2×9p-2×12p	±0.20	±0.20
2×13p-2×16p	±0.30	±0.30

PART NO.: HQ xx 50 x 100J0 G

No. of poles	Color	RoHS compliant (lead<4%) In copper Alloy
0	Black (RAL9005)	
2	Red (RAL3001/D)	
04	2x2 poles Orange(RAL2011/P)	
06	2x3 poles Yellow(RAL1018/A)	
...	...	
5	Green(RAL6018/T)	
32	2x16 poles Blue (RAL5015/A)	
6	Blue (RAL5015/A)	
8	Grey(RAL7004/P)	
9	White(RAL1102)	
C	Multiple colors	

mat'l. code		surface ASME Y14.5	tolerance ASME Y14.5	projection	product family	
ltr	ecn no	dr	date	MM	TERMINAL BLOCK	
tolerances unless otherwise specified				MM	title	
angles				scale	TERMINAL BLOCK	
X°±1'					SPRING CLAMP, 4SD WIRE INLET, 2-LEVEL, INTERLACE TYPE	
dr EVIN ZHONG 053014				dwg no		
enr EVIN ZHONG 053014				sheet 1 of 1		
chr HANKE FENG 053014				size		
appd SHI JUN 053014				A4		
sheet index				type		
revision sheet 1				CUSTOMER Drawing		