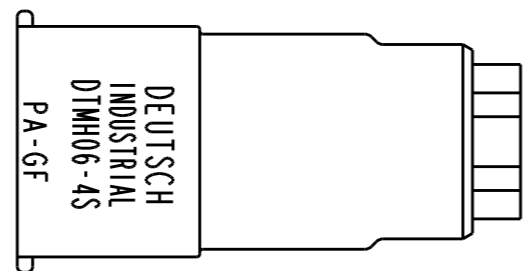
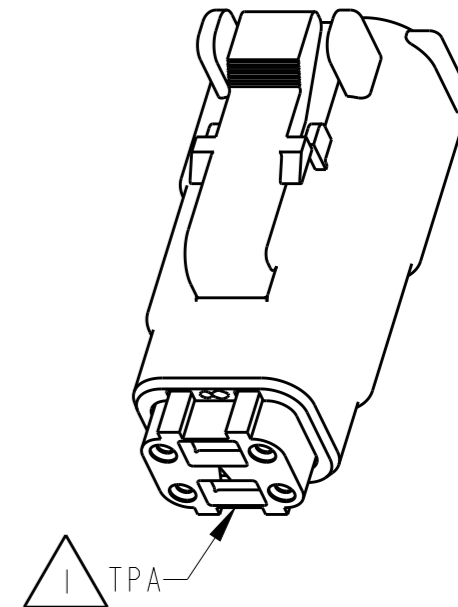
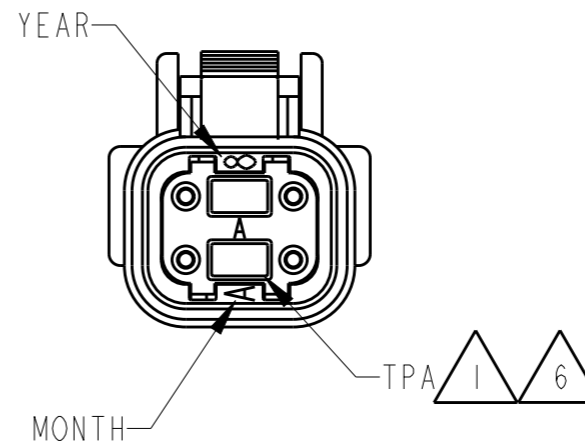
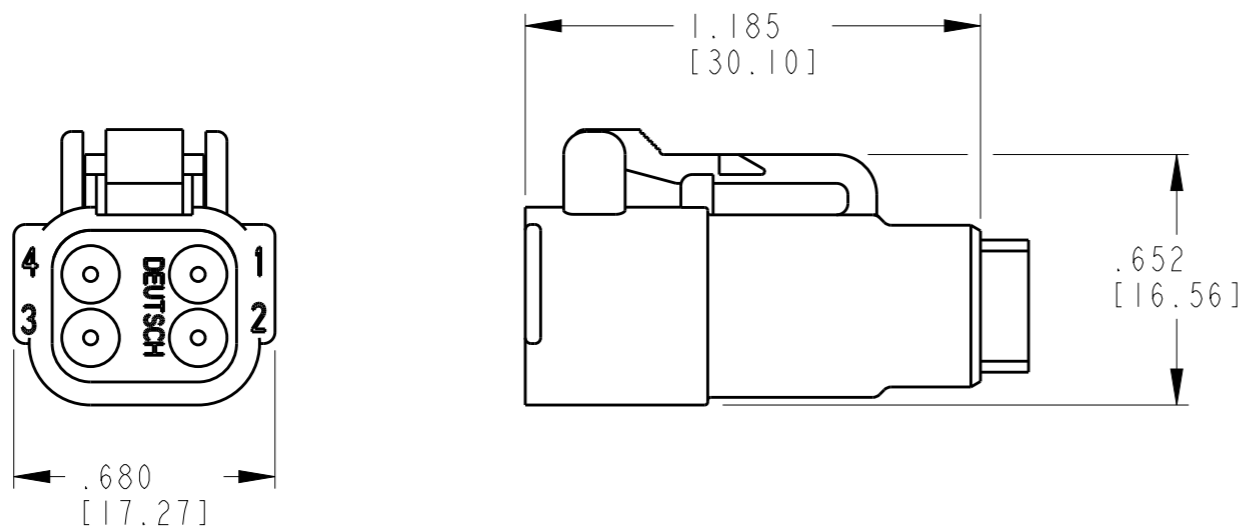
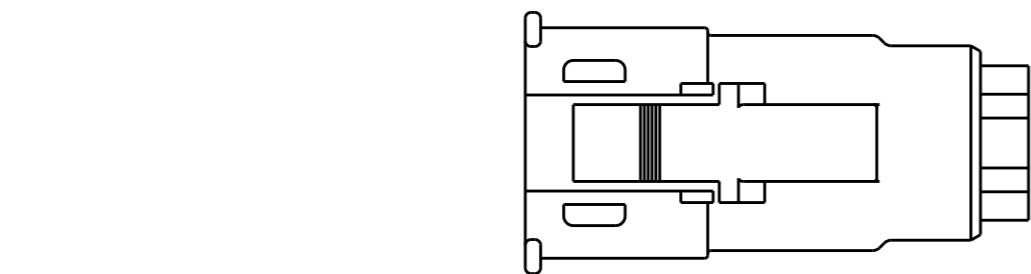


THIS DRAWING IS UNPUBLISHED. RELEASED FOR PUBLICATION 20  
 © COPYRIGHT 20 BY - ALL RIGHTS RESERVED.

LOC	DIST	REVISIONS			
P	LTR	DESCRIPTION	DATE	DWN	APVD
-	-	NC	NEW RELEASE PER E.O. PI9775	5-16-08	DW RDR
		A	CHANGED PER E.O. PI9993	9-9-08	DW SB
		B	REVISED PER ECO-13-009529	5-17-13	JA RM



CONTACT SIZE	MIN. INSUL. O.D.	MAX. INSUL. O.D.	WIRE RANGE [mm <sup>2</sup> ] REF ONLY
20	.053 [1.35]	.120 [3.05]	16-20 AWG [1.0-0.2]

- 6 SEE SHEET 2 FOR OTHER KEY ARRANGEMENTS.
- 5. PLUG IS RATED AT 150°C.
- 4 MATERIAL - HOUSING: PLASTIC; GROMMET: RUBBER
- 3. THIS PLUG MATES WITH DTMH04-4P\* AND DTM04-4P\* RECEPTACLE. (\* = A,B,C,D KEYS).
- 2 FOR CONTACT AND WIRE PERFORMANCE AND APPLICATION CHARACTERISTICS SEE ENVELOPE DRAWING 0425-015-0000.
- 1 TERMINAL POSITION ASSURANCE (TPA) LOCK PRE-MOUNTED: WMH-4S\* (\* = A,B,C,D KEYS)

NOTES: UNLESS OTHERWISE SPECIFIED

THIS DRAWING IS A CONTROLLED DOCUMENT.		DWN 5-17-13 JAIME C. APOSTOL		TE Connectivity	
DIMENSIONS: mm [INCHES]		CHK 5-17-13 ROBERT MILLIGAN			
TOLERANCES UNLESS OTHERWISE SPECIFIED:		APVD 5-17-13 ROBERT MILLIGAN		NAME PLUG, 4 PIN CONTACT SIZE 20, COLOR: BLACK DTMH SERIES	
0 PLC ± 1 PLC ± 2 PLC ± 3 PLC ±0.025 [0.64] 4 PLC ± ANGLES ±0°30'0"		PRODUCT SPEC -		SIZE A3	
MATERIAL 4		APPLICATION SPEC -		CAGE CODE 4AFU8	
FINISH -		WEIGHT 5.86g		DRAWING NO DTMH06-4SX	
		Customer Drawing		RESTRICTED TO -	
		SCALE 2:1		SHEET 1 OF 2	
				REV B	

4

3

2

1

THIS DRAWING IS UNPUBLISHED.

RELEASED FOR PUBLICATION

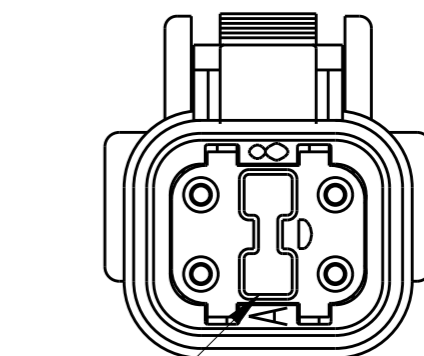
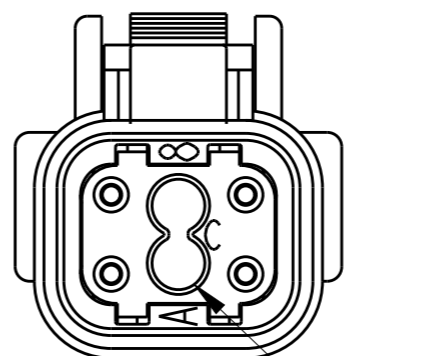
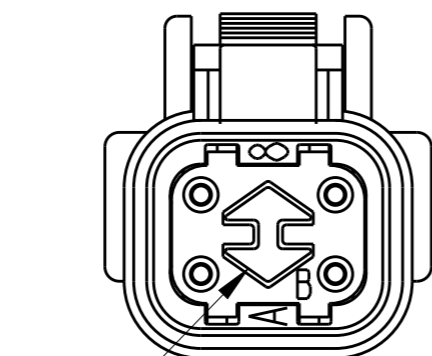
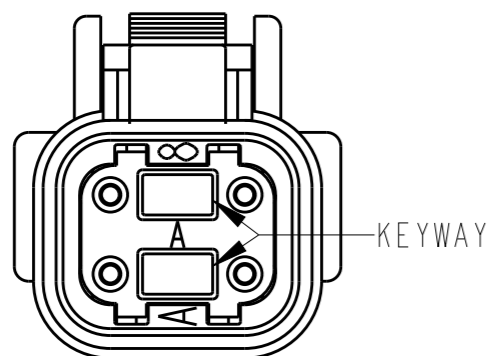
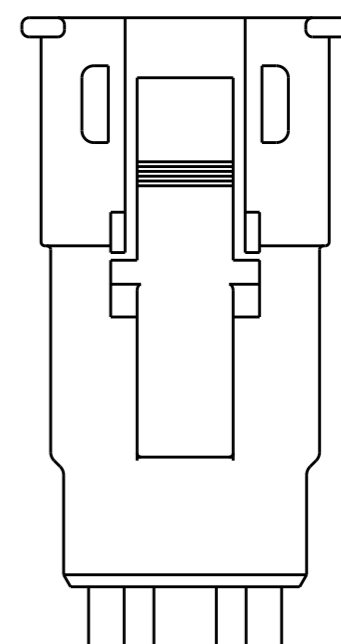
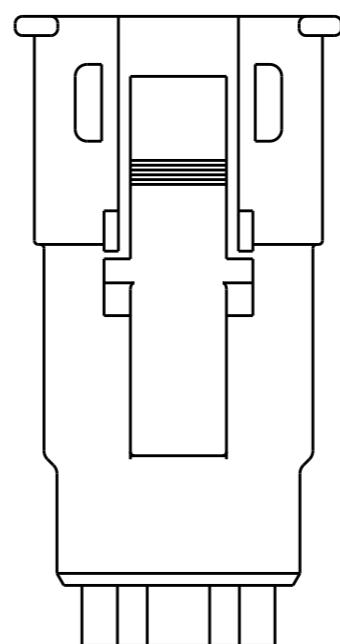
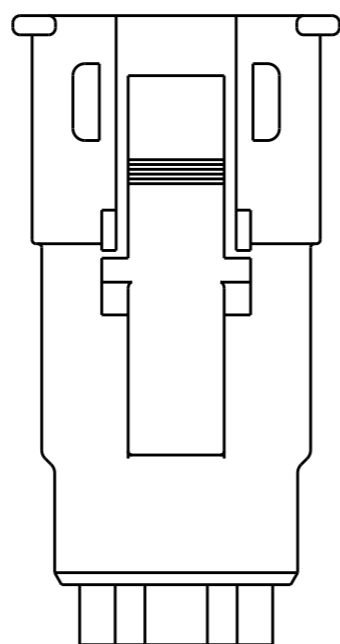
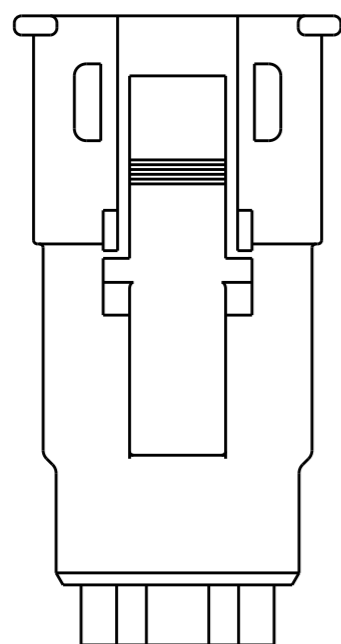
20

© COPYRIGHT 20 BY -

ALL RIGHTS RESERVED.

LOC	DIST
-	-

REVISIONS					
P	LTR	DESCRIPTION	DATE	DWN	APVD
	B	SEE SHEET 1	5-17-13	JA	RM



**DTMH06-4SA**

-A- KEY  
TPA COLOR: GREY

**DTMH06-4SB**

-B- KEY  
TPA COLOR: BLACK

**DTMH06-4SC**

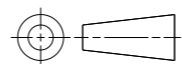
-C- KEY  
TPA COLOR: GREEN

**DTMH06-4SD**

-D- KEY  
TPA COLOR: BROWN

THIS DRAWING IS A CONTROLLED DOCUMENT.

DIMENSIONS:  
mm [ INCHES ]



TOLERANCES UNLESS OTHERWISE SPECIFIED:	
0 PLC	±
1 PLC	±
2 PLC	±
3 PLC	±0.025 [0.64]
4 PLC	±
ANGLES	±0°30'0"

MATERIAL



FINISH

-

DWN 5-17-13

CHK JAIME C. APOSTOL

5-17-13

APVD ROBERT MILLIGAN

5-17-13

ROBERT MILLIGAN

PRODUCT SPEC

-

APPLICATION SPEC

-

WEIGHT

5.86g



NAME  
**PLUG, 4 PIN CONTACT**  
**SIZE 20, COLOR: BLACK**  
**DTMH SERIES**

SIZE	CAGE CODE	DRAWING NO	RESTRICTED TO
A3	4AFU8	DTMH06-4SX	-

Customer Drawing SCALE 2:1 SHEET 2 OF 2 REV B