

C-1X

Description:

Smoothing chokes are power supply filter chokes having a core with an air gap which prevents saturation at maximum current. Hipot to 1500 VRMS between winding and core for safety. Class B (130°C) insulation.

Electrical Specifications (@25C):

Current DC M/A	Inductance †† Henries	Resistance Ohms
20.0	15.0	1000

†† = Inductance tolerance -20%, + 50 %

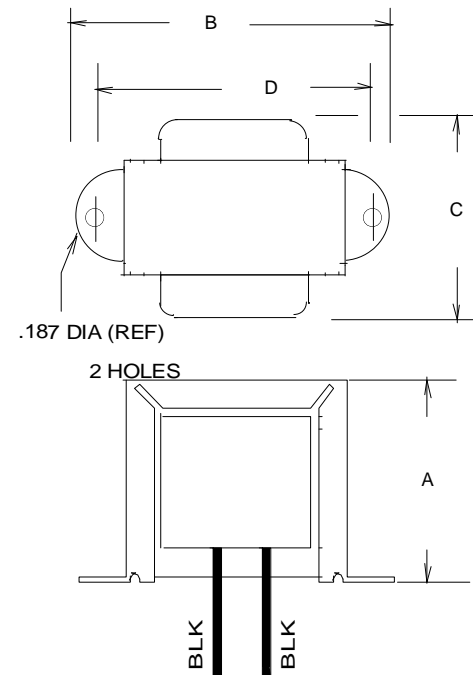
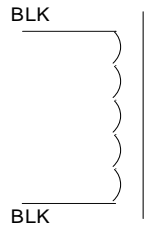
Dimensions:

Unit: In inches

A	B	C	D
1.187	2.062	1.250	1.750

Weight: 0.21 lbs.

Schematic:



RoHS Compliance: As of manufacturing date February 2005, all standard products meet the requirements of 2011/65/EU, known as the RoHS initiative.

* Upon printing, this document is considered "uncontrolled". Please contact Triad Magnetics' website for the most current version.