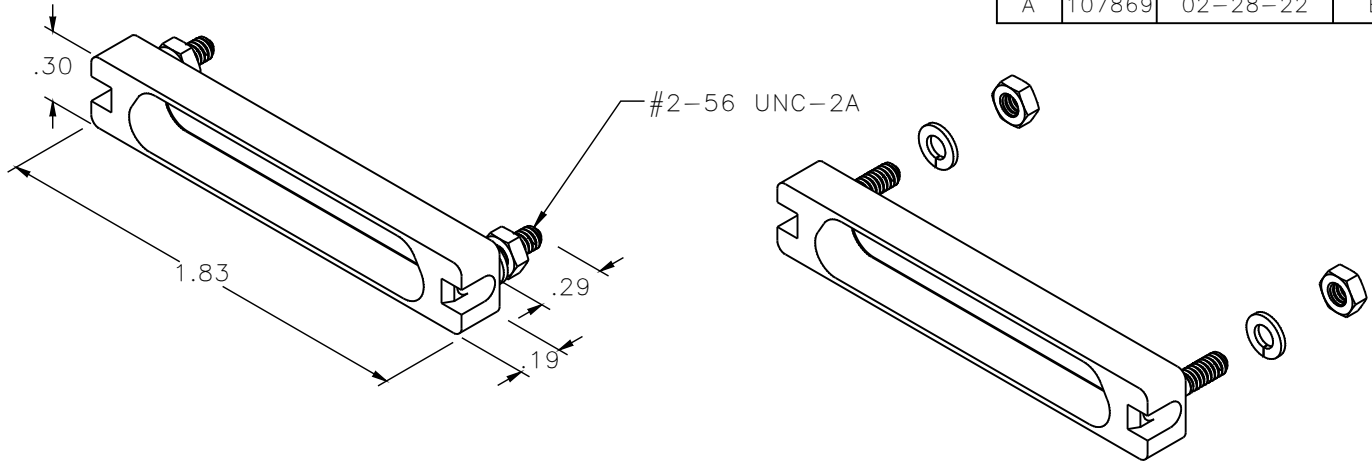
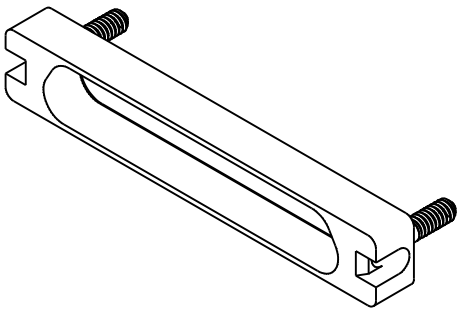


PART NO.	A99018-512	REV	ECO	DATE	APP
		A	107869	02-28-22	BA



KIT CONSISTS OF:



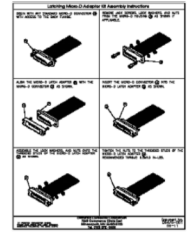
1 EA MICRO-D LATCH RECEPTACLE (D6097-051)



2 EA LOCKING WASHER (D5377-001)



2 EA #2-56 NUT (D5376-001)



1 EA INSTRUCTION SHEET (D6476-001)

THIRD ANGLE		THIS DRAWING CONTAINS CONFIDENTIAL AND PROPRIETARY INFORMATION WHICH IS THE PROPERTY OF OMNETICS CONNECTOR CORP. THIS DOCUMENT MAY NOT, IN WHOLE OR IN PART, BE DUPLICATED, OR DISCLOSED FOR ANY PURPOSE, WITHOUT WRITTEN PERMISSION FROM OMNETICS CONNECTOR CORP.		OMNETICS CONNECTOR CORPORATION 7260 COMMERCE CIRCLE EAST MINNEAPOLIS, MN 55432 WWW.OMNETICS.COM	DWG NO.	CAGE CODE 61873	
-TOLERANCES- UNLESS OTHERWISE NOTED		TITLE: (51) LATCHING MICRO-D CONVERSION KIT HARDWARE			A99018-512		
DIMENSIONS IN INCHES		DFTM. DWP	DATE: 02-25-22	SHEET 1 OF 1	SCALE: 3:2	REV A	
2 PL DEC ± .01 3 PL DEC ± .005 4 PL DEC ± .0005 ANGLES ± 1°							