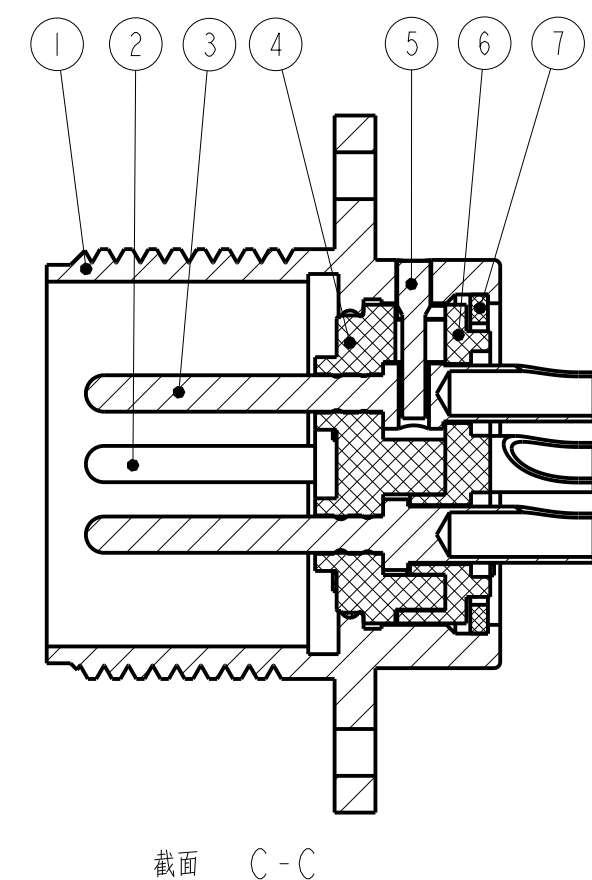
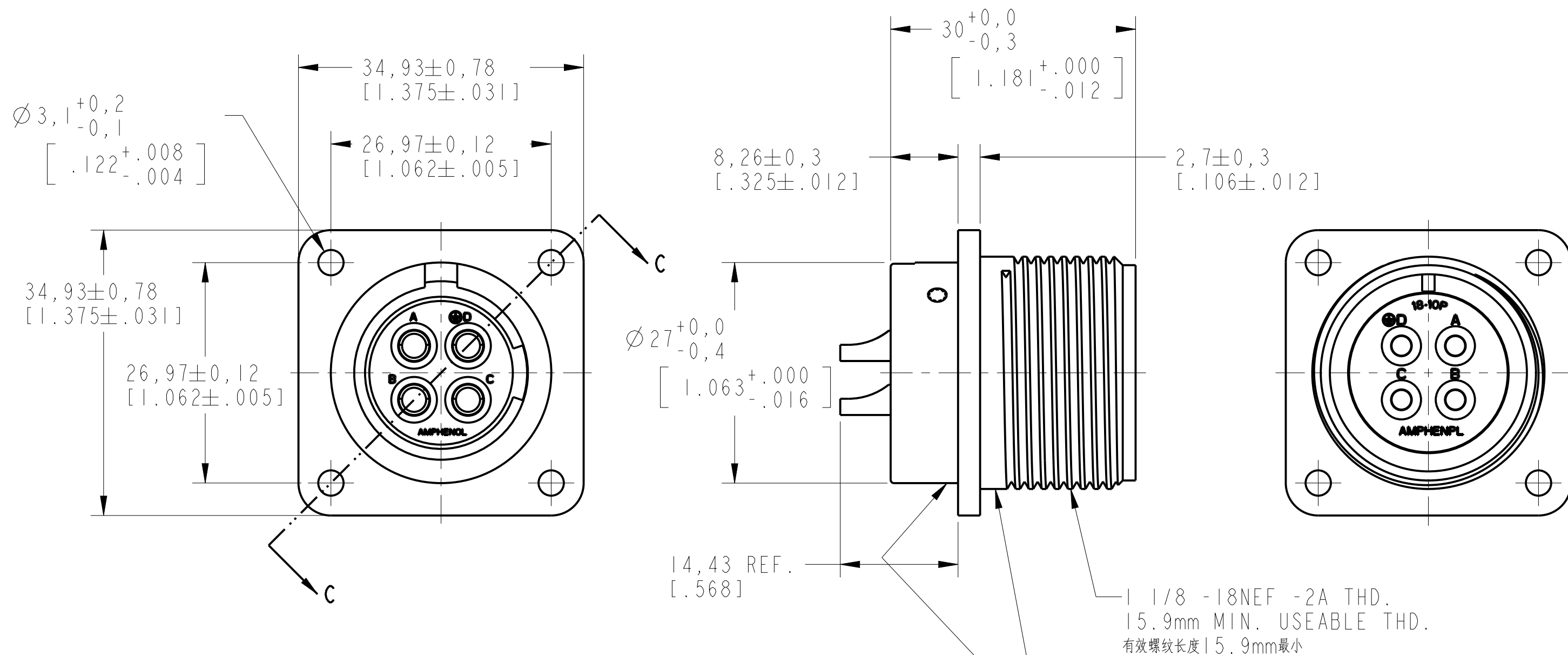
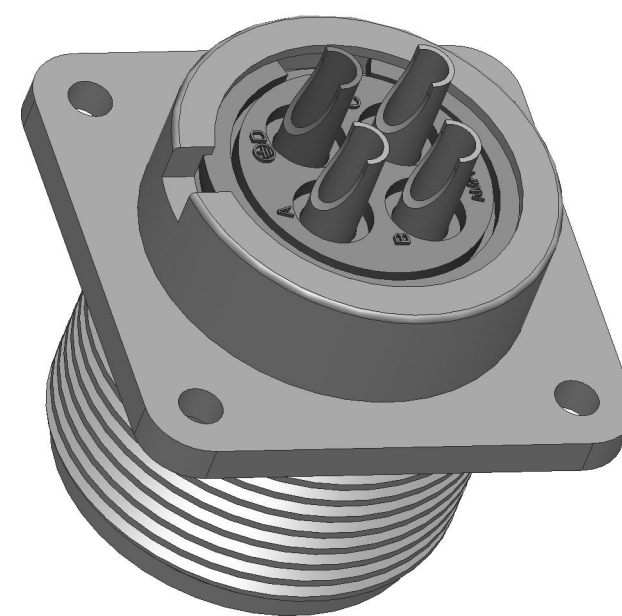


CUSTOMER DRAWING

REVISIONS		
REV	DESCRIPTION	DATE
PA1	INITIAL RELEASE	2019-11-27
PA5	CHANGE THE PRODUCT CODE	2020-09-03



WHITE INK STAMP "AMPHENOL", ASSEMBLY NUMBER AND DATE CODE APPROX.
 白色油墨印字 AMPHENOL + 产品编号 + 制造日期(年周 1930)



SPECIFICATIONS / 技术参数

SERVER RATING 服务等级	A
NUMBER OF CONTACTS 端子数量	4
CONTACT SIZE 端子大小	#12
CURRENT RATE 额定电流	23A/PIN
OPERATING VOLTAGE 额定电压	500V AC 最大
OPERATING TEMPERATURE 工作温度	-55°C TO 125°C
D.W.V. 耐电压	2000V AC
INSULATION RESISTANCE 绝缘电阻	1000 MΩ最小(AT 500VDC)
CONTACT RESISTANCE 端子接触电阻	5 mΩ 最大
DURABILITY 耐久性	100次
SALT SPRAY 盐雾	5%NaCl, 48小时
AIR LEAKAGE 气密性	2.9X10 ⁴ Pa压力下保持1分钟不泄露
SHELL PLATING 外壳电镀	BLACK ZINC PLATING 黑锌电镀
APPLICABLE WIRE 适用线规	3.5mm ² 最大

NOTES:
 1. THE REFERENCED PRODUCT IS IN COMPLIANCE WITH THE MAXIMUM CONCENTRATION VALUES(MCVS) AS SET BY RoHS 2.0 DIRECTIVE 2011/65/EU AND ANNEX II AMENDMENT DIRECTIVE (EU)2015/863.

THIS DOCUMENT CONTAINS PROPRIETARY INFORMATION AND SUCH INFORMATION MAY NOT BE DISCLOSED TO OTHERS FOR ANY PURPOSE OR USED FOR MANUFACTURING PURPOSES WITHOUT WRITTEN PERMISSION FROM THE AMPHENOL CORP.

N/A
 NEXT ASSEMBLY

PRO/ENGINEER INFORMATION
 Pro/e Model Used:
 10-764272-10P.ASSEM
 Drawing Name:
 10-764272-10P

UNLESS OTHERWISE SPECIFIED

SPECIFICATIONS
 LINEAR DIMENSIONS ARE IN INCHES
 TOLERANCES:
 .XXXX = ±.0005 ANGLES= ±2°
 .XXX = ±.010
 .XX = ±.03
 .X = ±.1

DIM. & TOL. PER ASME Y14.5M;
 DRM PER MIL-DTL-31000;
 OTHER Amphenol Stds. PER 9-3800
 LEGENDS:
 =FLAG NOTE CALL OUT REFERENCE ONLY

SPECIFICATIONS

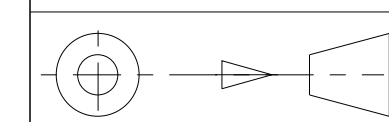
MATERIAL SPEC.
 N/A

PROCESS SPEC.
 N/A

POS	QTY	DESCRIPTION	MATERIAL & FINISH	NOTE
7	1	RETAINING RING	COPPER ALLOY, TIN PLATING	
6	1	REAR INSULATOR	PLASTIC	COLOR: BLACK
5	1	EARTH PIN	COPPER ALLOY, NICKEL PLATING	
4	1	FRONT INSULATOR	RUBBER	COLOR: BLACK
3	1	CONTACT, EARTH	COPPER ALLOY, SILVER PLATING	CONTACT NO: D
2	3	#12 CONTACT	COPPER ALLOY, SILVER PLATING	CONTACT NO: A, B, C
1	1	SHELL	ALUMINUM ALLOY, ZINC PLATING	COLOR: BLACK

APPROVALS		DATE
PREPARED BY	LIANG XU	Sep-03-20
ENGINEER IN CHARGE	LIANG XU	
DESIGN MANAGER	RAN XIAO	
DESIGN ACTIVITY GROUP	C3	

THIRD ANGLE PROJECTION



AMPHENOL INDUSTRIAL OPERATIONS

Amphenol Technology(Zhuhai)Co.,Ltd
 No.63, Xinghan Road, Sanzao Town, Jinwan, Zhuhai

CONNECTOR, ELECTRICAL RECEPTACLE
 97-3102E-18-10P(400)(955), GROUND-TYPE
 CONDUCTIVE BLACK ZINC PLATED

SIZE	CAGE CODE	DOCUMENT NO.	REV.
C	77820	10-764272-10P	PA5

SCALE: 2.0 REF: N/A SHEET 1 OF 1