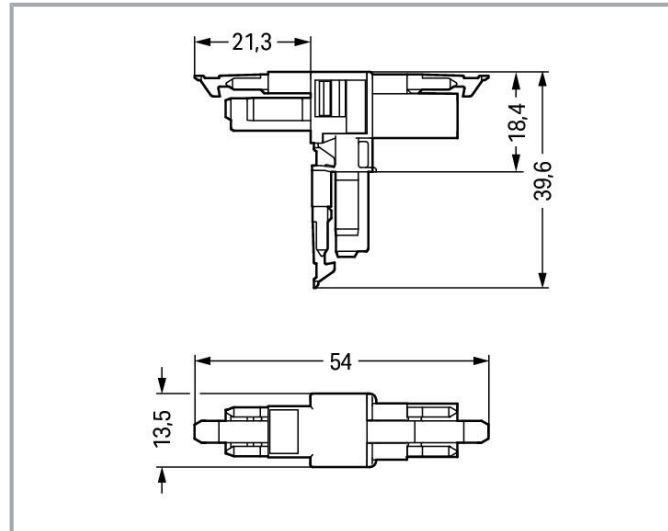


Data sheet | Item number: 890-1615

T-distribution connector; 2-pole; Cod. A; 1 input; 2 outputs; 3 locking levers;
for flying leads; black



www.wago.com/890-1615



Item description

Distribution connector *WINSTA*® MINI rated current 16 A

The *WINSTA*® MINI distribution connector with protection against mismatching supports fast, reliable installation. Whether on PCBs, in control cabinets or for connecting lights – pluggable installation connectors from WAGO allow you to make connections according to many different requirements in seconds. For greater protection in electrical installations, the pluggable installation connector is provided with mechanical protection against mismatching. General mains applications for almost any domain of use can be realised with *WINSTA*® MINI pluggable installation connectors with A coding. *WINSTA*® MINI satisfies the demand for miniaturisation. Our smallest pluggable connection system is very good for lights, for example, since due to LED technology, these offer less and less space for the connection technology.

Subject to changes. Please also observe the further product documentation!

WAGO GmbH & Co. KG
Hansastr. 27
32423 Minden
Phone: +49571 887-0 | Fax: +49571 887-169
Email: info.de@wago.com | Web: www.wago.com

Do you have any questions about our products?
We are always happy to take your call at +49 (571) 887-44222.



WINSTA® MINI solutions for your electrical installation – protected against mismatching and maintenance-free

WINSTA® is the pluggable connection system that is ideally tailored to the strict requirements of electrical installation. It allows error-free installation of cables and components, quickly and reliably. Choose durability and quality – the WINSTA® MINI pluggable installation connector with protection type IP20 from WAGO makes the electrical installation of electrical components visibly easier.

- protection against mismatching eliminates errors
- consistent IP40 protection
- with A coding for a great number of uses
- custom-engineered solutions
- convenient installation and commissioning

Data

Electrical data

Ratings per IEC/EN

| | |
|-------------------------------|---|
| Ratings per | IEC/EN 60664-1 |
| Nominal voltage (III/3) | 250 V |
| Rated impulse voltage (III/3) | 4 kV |
| Rated current | 16 A |
| Legend (ratings) | (III / 3) ≙ Overvoltage category III / Pollution degree 3 |

Ratings per UL 1977

| | |
|-------------------------|---|
| Note for the US market | Some versions may also be used for current interruption in accordance with the UL certificate in select applications with currents below 5 A and voltages up to 600 V. For further information, please contact your local sales office. |
| Rated voltage (UL 1977) | 600 V |
| Rated current UL 1977 | 14 A |

General

| | |
|----------------------------|--|
| Note on contact resistance | approx. 1 mΩ of contact resistance approx. 0.25 mΩ contact transition plug/socket |
|----------------------------|--|

Subject to changes. Please also observe the further product documentation!

Connection data

| | |
|----------------------------|---|
| Total number of potentials | 2 |
|----------------------------|---|

Connection 1

| | |
|-------------|---|
| Pole number | 2 |
|-------------|---|

Physical data

| | |
|-------------|------------------------|
| Pin spacing | 4.4 mm / 0.173 inches |
| Width | 13.5 mm / 0.531 inches |
| Height | 39.6 mm / 1.559 inches |
| Depth | 54 mm / 2.122 inches |

Mechanical Data

| | |
|---|--|
| Application | General mains applications |
| Coding | A |
| Variable coding | No |
| Marking | L N |
| Potential marking | L N |
| Mating force of a plug-in connection | approx. 20 ... 70 N (depending on pole number) |
| Retention force of a plug-in connection | When locked: > 80 N |
| Unmating force of a plug-in connection | Unlocked: approx. 20 ... 70 N (depending on pole number) |
| Number of mating cycles | 200, without resistive load |
| Type of distribution box | T-distribution connector |
| Protection type | IP20; IP40 when mated |
| Suitable | for flying leads |

Plug-in connection

| | |
|------------------------------------|--|
| Contact type (pluggable connector) | Socket/plug |
| Mismating protection | Yes |
| Note on mismating protection | All <i>WINSTA</i> [®] components are 100% protected against mismating when: a.) plugging different numbers of poles b.) plugging while rotated 180 c.) plugging while laterally staggered d.) plugging one pole |
| Locking lever | yes |

Subject to changes. Please also observe the further product documentation!



Locking of plug-in connection

locking lever

Note on locking system

All connectors for mounted installations (snap-in versions for lighting fixtures or devices, all types of PCB and distribution connectors) are factory-equipped with locking levers to ensure plugs and sockets are securely locked. Additional locking levers are only required for flying leads (plug/socket).

Material Data

Note (material data)

Information on material specifications can be found here

| | |
|-----------------------------|---|
| Color | black |
| Material group | I |
| Insulation material | Polyamide (PA66) |
| Flammability class per UL94 | V0 |
| Contact material | Copper or copper alloy; surface-treated |
| Contact plating | Tin |
| Fire load | 0.176 MJ |
| Weight | 6.4 g |

Environmental requirements

| | |
|--|--|
| Processing temperature | -5 ... +40 °C |
| Continuous operating temperature | -35 ... +85 °C |
| Note on continuous operating temperature | Insulating parts for temperatures ≤ 105 °C |

Commercial data

| | |
|-----------------------|---------------|
| Product Group | 20 (Winsta) |
| eCl@ss 10.0 | 27-44-06-03 |
| eCl@ss 9.0 | 27-44-06-03 |
| ETIM 8.0 | EC002567 |
| ETIM 7.0 | EC002567 |
| PU (SPU) | 25 pcs |
| Packaging type | box |
| Country of origin | DE |
| GTIN | 4045454547622 |
| Customs tariff number | 85366990990 |

Subject to changes. Please also observe the further product documentation!

WAGO GmbH & Co. KG

Hansastr. 27

32423 Minden

Phone: +49571 887-0 | Fax: +49571 887-169

Email: info.de@wago.com | Web: www.wago.com

Do you have any questions about our products?



We are always happy to take your call at +49 (571) 887-44222.

Environmental Product Compliance



RoHS Compliance Status Compliant, No Exemption

Approvals / Certificates



General approvals

| Logo | Approval | Additional Approval Text | Certificate name |
|--|---|--------------------------|------------------|
|  | CCA DEKRA Certification B.V. | EN 61535 | 71-123231 |
| | CCA DEKRA Certification B.V. | IEC 61535 | NL-85020 |
|  | cURus Underwriters Laboratories Inc. | UL 1977 | E45171 |

Declarations of conformity and manufacturer's declarations

| Logo | Approval | Additional Approval Text | Certificate name |
|--|--|--------------------------|------------------|
|  | EU-Declaration of Conformity WAGO GmbH & Co. KG | - | - |
|  | UK-Declaration of Conformity WAGO GmbH & Co. KG | - | - |

Approvals for marine applications

| Logo | Approval | Additional Approval Text | Certificate name |
|--|--|--------------------------|------------------|
|  | ABS American Bureau of Shipping | Steel Vessel Rules | 19-HG1869855-PDA |
|  | DNV GL Det Norske Veritas, Germanischer Lloyd | - | TAE00001Z6 |

Subject to changes. Please also observe the further product documentation!

WAGO GmbH & Co. KG
Hansastr. 27
32423 Minden
Phone: +49571 887-0 | Fax: +49571 887-169
Email: info.de@wago.com | Web: www.wago.com

Do you have any questions about our products?
We are always happy to take your call at +49 (571) 887-44222.





LR
Lloyds Register

EN 61535

08/20047
(E2)

Counterpart

| | | |
|--|--|--|
|  | Item no.890-102 Socket; with strain relief housing; 2-pole; Cod. A; 1,50 mm ² ; black | www.wago.com/890-102 |
|  | Item no.890-112 Plug; with strain relief housing; 2-pole; 1,50 mm ² ; black | www.wago.com/890-112 |
|  | Item no.890-202 Socket; 2-pole; Cod. A; 1,50 mm ² ; black | www.wago.com/890-202 |
|  | Item no.890-202/342-000 Socket; with strain relief housing; 2-pole; Cod. A; 1,50 mm ² ; black | www.wago.com/890-202/342-000 |
|  | Item no.890-212/342-000 Plug; with strain relief housing; 2-pole; Cod. A; 1,50 mm ² ; black | www.wago.com/890-212/342-000 |
|  | Item no.890-212 Plug; 2-pole; Cod. A; 1,50 mm ² ; black | www.wago.com/890-212 |
|  | Item no.891-8992/005-101 pre-assembled interconnecting cable; Eca; Socket/plug; 2-pole; Cod. A; H05VV-F 2 x 1.0 mm ² ; 1 m; 1,00 mm ² ; black | www.wago.com/891-8992/005-101 |
|  | Item no.891-8992/105-101 pre-assembled connecting cable; Eca; Socket/open-ended; 2-pole; Cod. A; H05VV-F 2 x 1.0 mm ² ; 1 m; 1,00 mm ² ; black | www.wago.com/891-8992/105-101 |
|  | Item no.891-8992/205-101 pre-assembled connecting cable; Eca; Plug/open-ended; 2-pole; Cod. A; H05VV-F 2 x 1.0 mm ² ; 1 m; 1,00 mm ² ; black | www.wago.com/891-8992/205-101 |

Downloads

Documentation

Bid Text

| | | | |
|-------------------------|-------------|----------------|----------|
| 890-1615 X81 - Datei | 2019 Feb 19 | xml 2.9 kB | Download |
| 890-1615 doc - Datei | 2014 Dec 3 | doc 23.0 kB | Download |

Subject to changes. Please also observe the further product documentation!

WAGO GmbH & Co. KG
Hansastr. 27
32423 Minden
Phone: +49571 887-0 | Fax: +49571 887-169
Email: info.de@wago.com | Web: www.wago.com

Do you have any questions about our products?
We are always happy to take your call at +49 (571) 887-44222.

CAD/CAE-Data

CAD data

| | | |
|-----------------------|---------------------|--------------------------|
| 2D/3D Models 890-1615 | URL | Download |
|-----------------------|---------------------|--------------------------|

CAE data

| | | |
|----------------------------|---------------------|--------------------------|
| EPLAN Data Portal 890-1615 | URL | Download |
|----------------------------|---------------------|--------------------------|

| | | |
|-------------------------|---------------------|--------------------------|
| WSCAD Universe 890-1615 | URL | Download |
|-------------------------|---------------------|--------------------------|

| | | |
|-----------------------|---------------------|--------------------------|
| ZUKEN Portal 890-1615 | URL | Download |
|-----------------------|---------------------|--------------------------|

Environmental Product Compliance

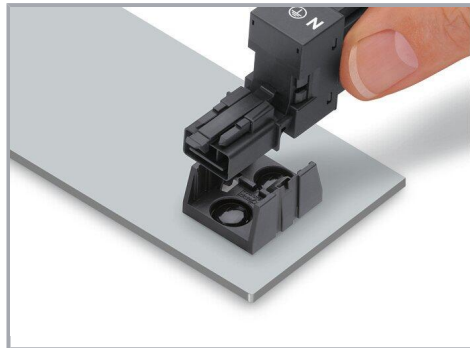
Compliance Search

| | | |
|---|---------------------|--------------------------|
| Environmental Product Compliance 890-1615 | URL | Download |
|---|---------------------|--------------------------|

T-distribution connector; 2-pole; Cod. A; 1 input; 2 outputs; 3 locking levers; for flying leads; black

Installation Notes

Installation



Secure the mounting plate via pins.

Product family

WINSTA® MINI

[Show all products from the family](#)

Subject to changes. Please also observe the further product documentation!

WAGO GmbH & Co. KG

Hansastr. 27

32423 Minden

Phone: +49571 887-0 | Fax: +49571 887-169

Email: info.de@wago.com | Web: www.wago.com

Do you have any questions about our products?

We are always happy to take your call at +49 (571) 887-44222.