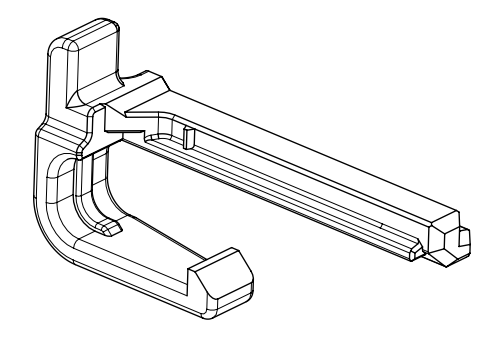
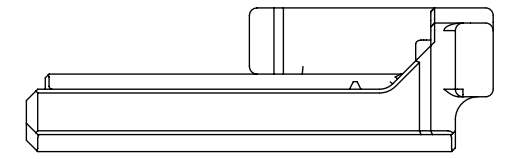
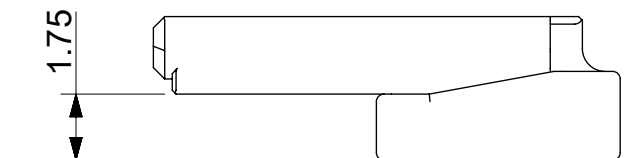
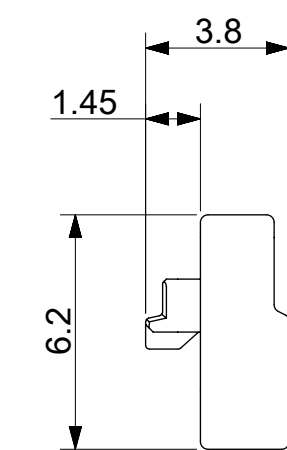
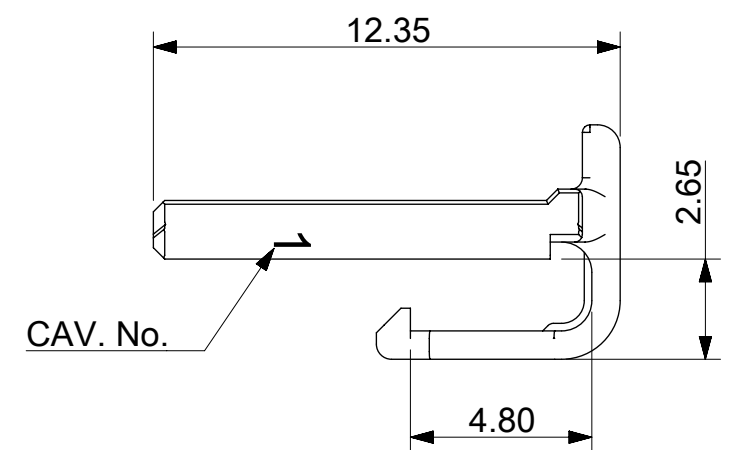
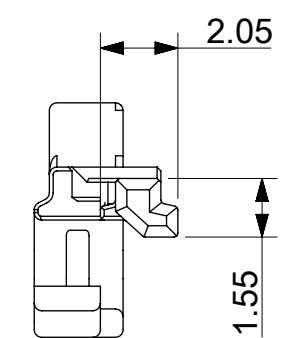


GENERAL TOLERANCE										USED ON
10 MAX	30 MAX	50 MAX	70 MAX	100 MAX	120 MAX	250 MAX	250 OVER	ANGLE	ECCENT	
±0.15	±0.20	±0.30	±0.40	±0.50	±0.75	±0.90	±1.4	±0.5°	0.1	



ISO VIEW



MATERIAL NUMBER

ORDER NO.	MATERIAL NO.	COLOR
560125-0500	5601250500	GRAY

- NOTES:
1. MATERIALS : POLYESTER (PBT)-GF17, UL94 V-0
 2. APPLICABLE HOUSING : 560123 SERIES
 3. GENERAL TOLERANCE : SEE TABLE
 4. EVL AND RoHS COMPLIANT
 5. PRODUCT SPECIFICATION : PS-560123-00*
 6. PACKING SPECIFICATION : PK-560125-001

FUNCTIONAL SYMBOLS	THIS DRAWING CONTAINS INFORMATION THAT IS PROPRIETARY TO MOLEX ELECTRONIC TECHNOLOGIES, LLC AND SHOULD NOT BE USED WITHOUT WRITTEN PERMISSION		CURRENT REV DESC: DRAWING REMASTERED		
	$\nabla_A = 0$ $\nabla_E = 0$ $\nabla_V = 0$	DIMENSION UNITS: mm SCALE: 5:1	GENERAL TOLERANCES (UNLESS SPECIFIED) ANGULAR TOL ± °		
DIVISIONAL SYMBOLS	4 PLACES ±	2020/07/17	2020/07/27		PRODUCT CUSTOMER DRAWING DOCUMENT NUMBER: 5601250500 DOC TYPE: PSD DOC PART: 009 REVISION: A1
	3 PLACES ±	2020/07/27	2020/07/27		
2 PLACES ±	INITIAL REVISION:	2016/11/25		MATERIAL NUMBER: 5601250500 CUSTOMER: GENERAL MARKET SHEET NUMBER: 1 OF 1	
1 PLACE ±	DRWN: SWYOON	2016/11/29			
0 PLACES ±	APPR: JHJANG				
DRAFT WHERE APPLICABLE MUST REMAIN WITHIN DIMENSIONS		THIRD ANGLE PROJECTION	DRAWING	SERIES	
			A3-SIZE	560125	