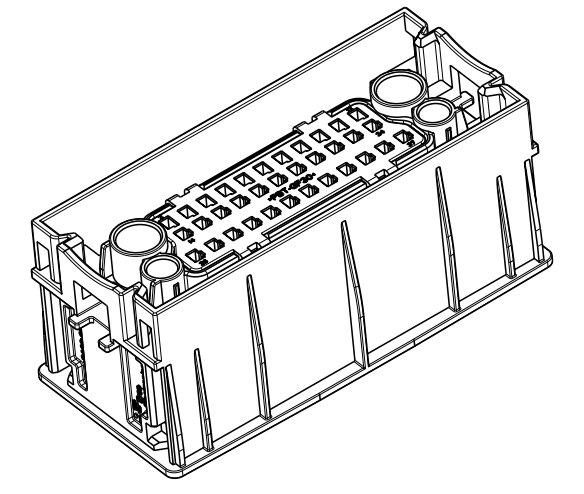
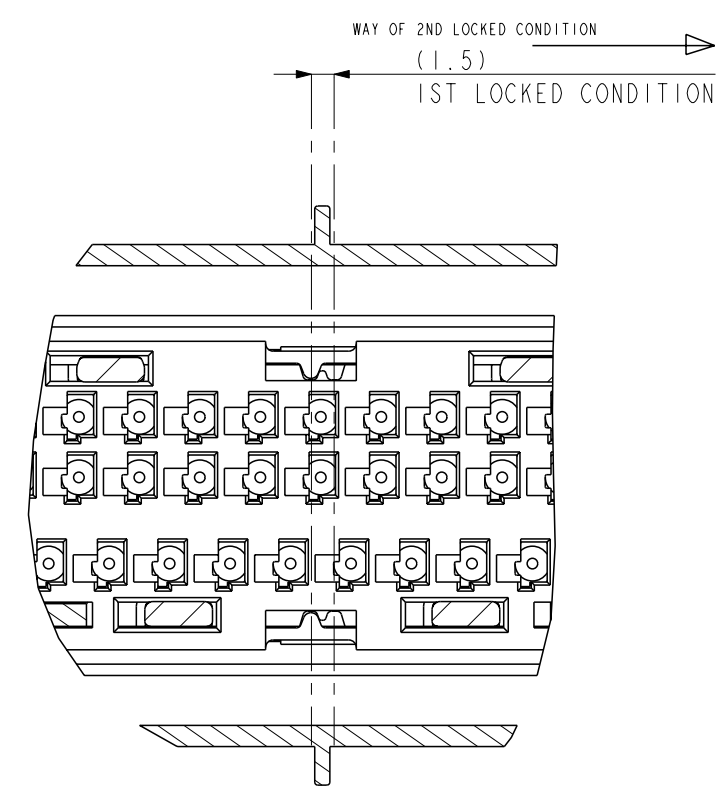
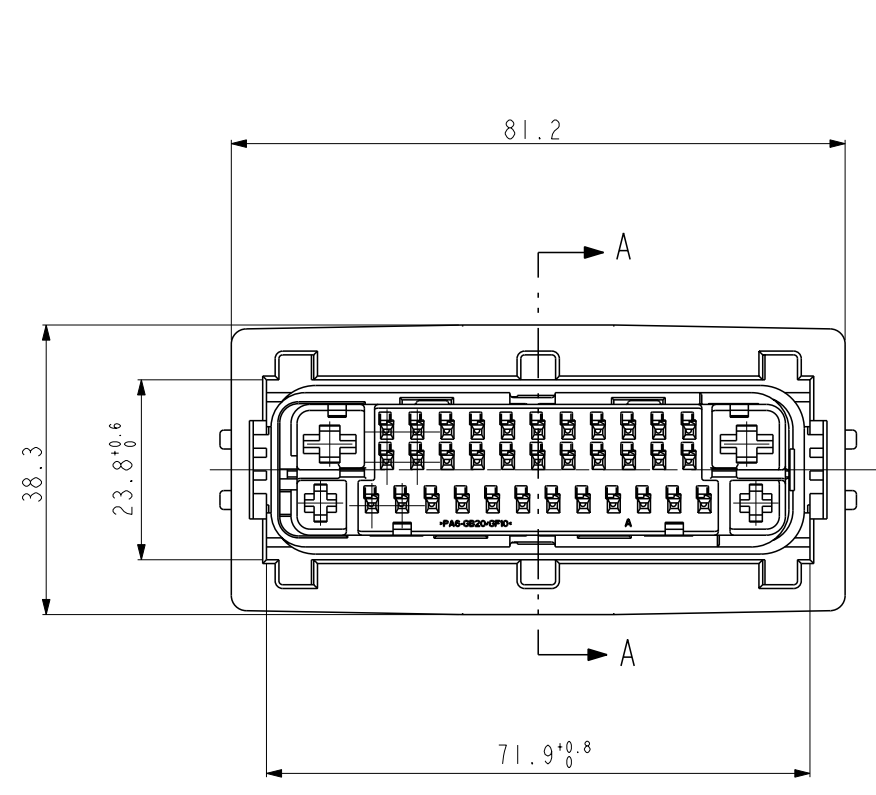


THIS DRAWING IS UNPUBLISHED. RELEASED FOR PUBLICATION 20
 © COPYRIGHT 2020 TE Connectivity. All Rights Reserved. ALL RIGHTS RESERVED.

REVISIONS				
P	LTR	DESCRIPTION	DATE	APVD
D1		REVISED (ECR-16-017989)	21DEC2016	SJ JW
D2		REVISED (ECR-20-018098)	24DEC2020	HC YJ



TE ORDER NO	WIRE RANGE MM	FINISH	SINGLE WIRE SEAL NO	SEALING PLUG
964273-1	1.0~2.5	PRETINNED	963292-1	
964286-1	0.5~1.0	PRETINNED	963293-1	D2 828922-1
964282-1	0.35~0.5	PRETINNED	963294-1	

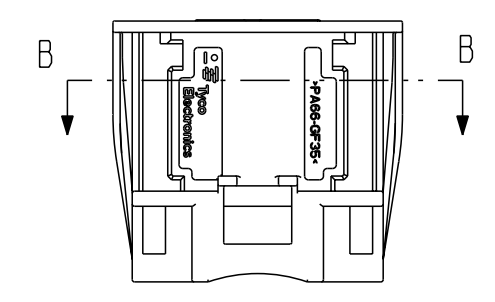
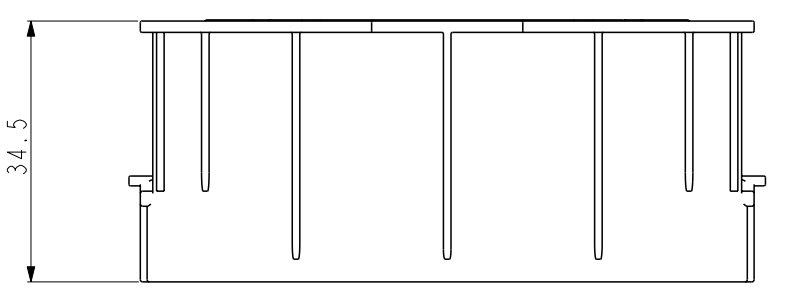
RECOMMENDED CONTACT SYSTEM: JPT -TYPE A ; SEALED

TE ORDER NO	WIRE RANGE MM	FINISH	SINGLE WIRE SEAL NO	SEALING PLUG
969044-1	2.5~4.0	PRETINNED	963245-1	
969042-1	1.0~2.5	PRETINNED	963244-1	D2 100132-1
969040-1	0.5~1.0	PRETINNED	963243-1	

RECOMMENDED CONTACT SYSTEM: SPT -TYPE A ; SEALED

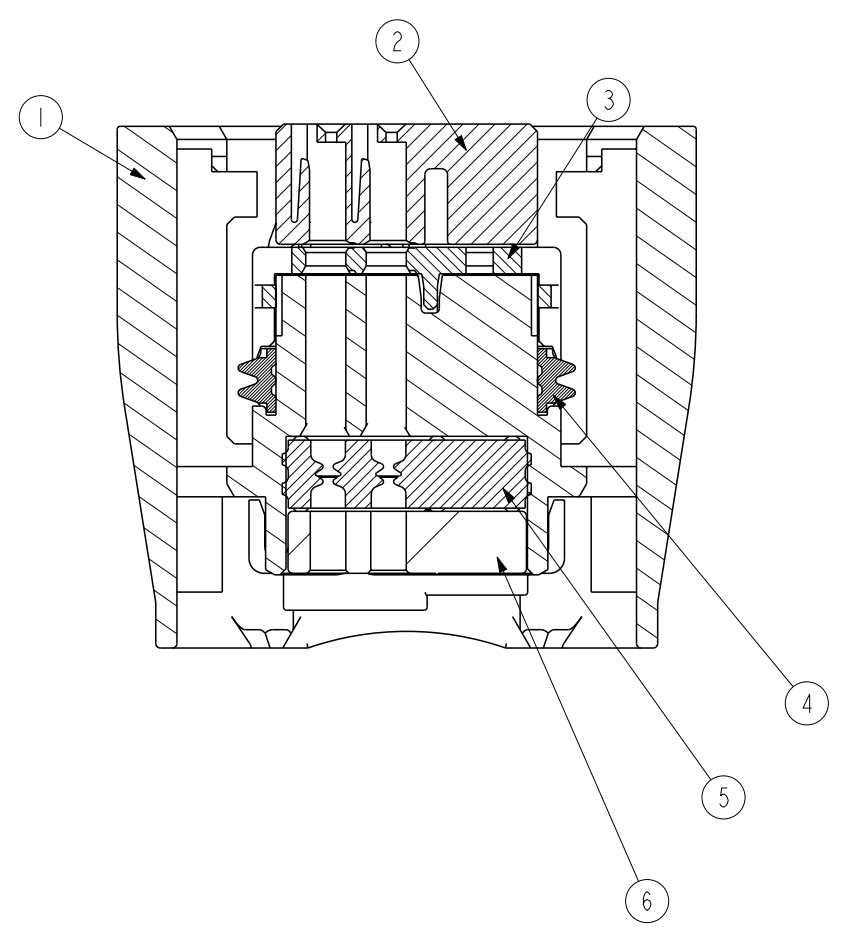
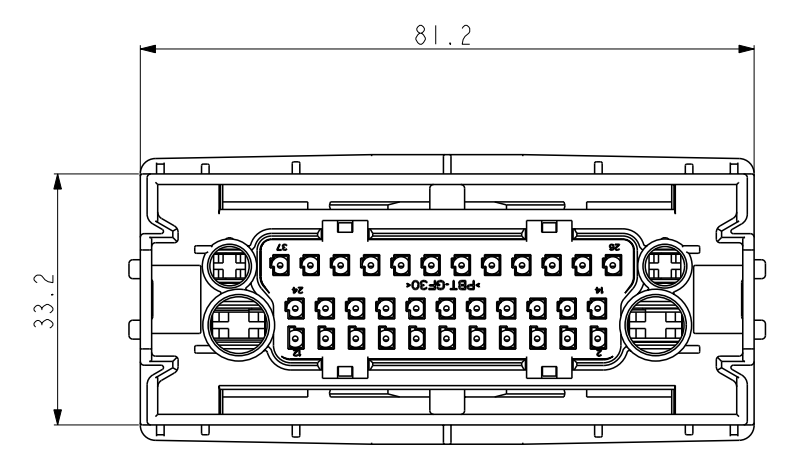
TE ORDER NO	WIRE RANGE MM	FINISH	SEALING PLUG
2098165-1	0.3~0.5	PRETINNED	2005423-3 2109258-4

RECOMMENDED CONTACT SYSTEM: 0.8X0.64



- NOTE.
1. APPLICABLE COVER ASSY : TE P/N 2005243
 - D1 2. APPLICABLE CAVITY PLUG : TE P/N 2005423-3, 2109258-4 FOR 025 TERMINAL
 - D2 3. APPLICABLE SEALING PLUG : TE P/N 828922-1 FOR 110 TERMINAL
TE P/N 100132-1 FOR 250 TERMINAL

ASS'Y P/N	Q'TY
3-2005238-4	
2-2005238-3	
1-2005238-2	
2005238-1	



QTY	QTY	QTY	QTY	QTY
6				
5				
4				
3				
2				
1				
NO	COLOR	MATERIAL	DESCRIPTION	Q'TY
	PINK			I
	GRAY	PBT-GF30	SEAL COVER	I
	BLACK			
	NATURAL			I
	RED ORANGE	SILICONE	FAMILY SEAL	I I I I
	BROWN	SILICONE (LSR)	INNER SEAL	I I I I
	NATURAL	PBT-GF30	DBL HSG	I I I I
	BLACK	PA6-GB20/GF10	CARRIER HSG	I I I I
	BLACK	PA66-GF35	PLUG HSG	I I I I

THIS DRAWING IS A CONTROLLED DOCUMENT.

DWN: S.J. CHOI
 CHK: S.J. CHOI
 APVD: J.W. JUNG
 PRODUCT SPEC

TE Connectivity

025/110/250 HYBRID 38P ISL PLUG ASSY

SIZE: A2 CAGE CODE: 00779 DRAWING NO: C-2005238 RESTRICTED TO: -

CUSTOMER DRAWING; RESTRICTED CUSTOMER SCALE: 1:1 SHEET 1 OF 2 REV: D2

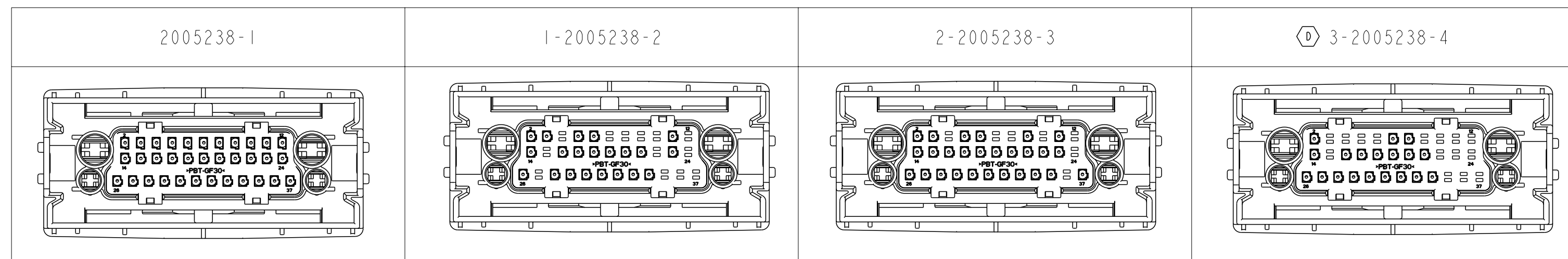
printed on 29 Dec 2020 14:33 from FC001932

THIS DRAWING IS UNPUBLISHED. RELEASED FOR PUBLICATION 20
 © COPYRIGHT 2020 TE Connectivity. All Rights Reserved. ALL RIGHTS RESERVED.

LOC	DIST	REVISIONS			
P	LTR	DESCRIPTION	DATE	DWN	APVD
-	-	SEE SHEET 1	-	-	-

P/NO	CIRCUIT ARRANGEMENT																																					
	X INDICATES UNAVAILABLE (BLOCKED) CIRCUIT																																					
	1	2	3	4	5	6	7	8	9	10	11	12	13	14	15	16	17	18	19	20	21	22	23	24	25	26	27	28	29	30	31	32	33	34	35	36	37	38
2005238-1	○	○	○	○	○	○	○	○	○	○	○	○	○	○	○	○	○	○	○	○	○	○	○	○	○	○	○	○	○	○	○	○	○	○	○	○	○	○
1-2005238-2	○	○	○	X	○	○	X	X	X	X	○	X	○	○	X	○	○	○	○	○	○	X	○	X	○	○	X	○	○	○	○	○	○	○	X	X	X	○
2-2005238-3	○	○	○	X	○	○	X	X	○	X	○	X	○	○	○	○	○	○	○	○	○	○	X	○	○	○	○	○	○	○	○	○	○	○	○	X	○	○
D 3-2005238-4	○	○	X	X	X	X	○	○	X	X	X	X	○	○	X	○	○	○	○	○	○	X	X	X	○	○	○	○	○	○	○	○	○	X	X	X	○	

*CODING



THIS DRAWING IS A CONTROLLED DOCUMENT.		DWN SJ CHOI	TE Connectivity	
DIMENSIONS: mm		CHK SJ CHOI		
TOLERANCES UNLESS OTHERWISE SPECIFIED:		APVD JW JUNG	NAME 025/110/250 HYBRID 38P ISL PLUG ASSY	
0 PLC ±		PRODUCT SPEC	SIZE CAGE CODE DRAWING NO RESTRICTED TO	
1 PLC ±		APPLICATION SPEC	A2 00779 C-2005238	
2 PLC ±0.5		WEIGHT	SCALE 1:1 SHEET 2 OF 2 REV D2	
3 PLC ±			CUSTOMER DRAWING; RESTRICTED CUSTOMER	
4 PLC ±				
ANGLES ±3				
FINISH				

Printed on 29 Dec 2020 14:33 from FC001932