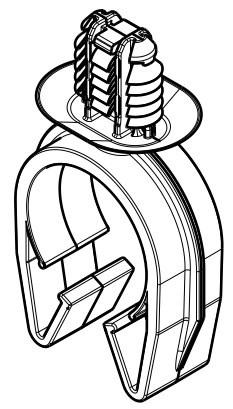
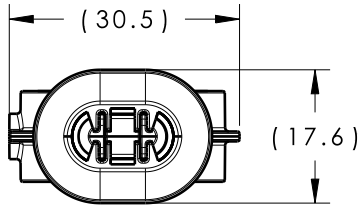




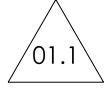
| | | | | | | | |
|----------------|----------------|------|-----------------|---------|---------|----------|---------|
| Revision Level | | | Revision Record | Changed | Date | Approved | Date |
| Drawing | State | Part | | | | | |
| 01.1 | Design Release | - | SEE ECN# 013513 | TAT | 5/15/17 | EJH | 5/15/17 |

REFERENCE:

- PERFORMANCE REQUIREMENTS AT DRY AS MOLDED:
1. FIR TREE PUSH IN FORCE: 45 NEWTONS (10 LBS) MAX IN EACH APPLICABLE OVAL HOLE SIZE AND A PLATE THICKNESS OF 1.8mm.
 2. FIR TREE PULL OUT FORCE: 155 NEWTONS (35 LBS) MIN IN EACH APPLICABLE OVAL HOLE SIZE AND A PLATE THICKNESS OF 1.8mm.
 3. SHEET METAL THICKNESS RANGE: 0.60mm - 6.75mm
 4. APPLICABLE OVAL HOLE SIZES:
 - A. 6.2 X 12.2mm
 - B. 6.5 X 12.5mm
 - C. 6.5 X 13.0mm
 - D. 7.0 X 12.0mm
 5. FITS USCAR MATING HOLE EWCAP -007 (NOT A TEST SPEC.)

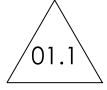
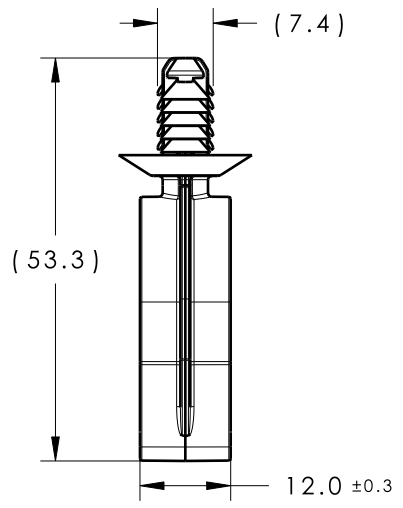
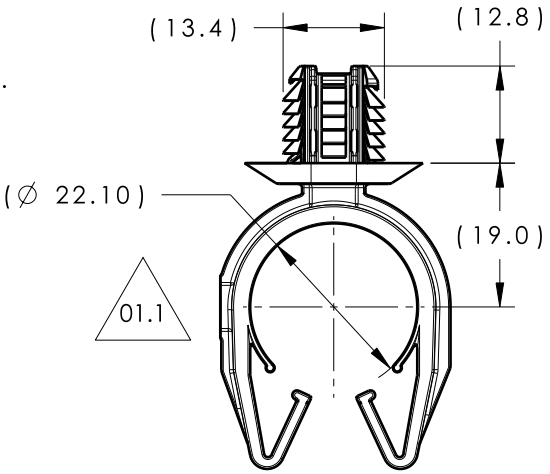


ISOMETRIC VIEW



NOTES:

1. MAXIMUM PERCENT REGRIND PERMISSIBLE: 25%
2. MAX ALLOWABLE FLASH OR MISMATCH TO BE 0.5mm.



| DIAMETER RANGE | | |
|----------------|---------------|----------------|
| HARNESS | HOSE | HARD PIPE/TUBE |
| 20.0MM-24.0MM | 20.0MM-24.0MM | 22.0MM-25.0MM |

| | | | | | | | |
|----------------------------------|---|--|--|-----|----------|---|--------------|
| Material PA66 COLOR: BLACK | Units millimeters Tolerance defined on each dimension | The copyright of this drawing is reserved by HellermannTyton. It is issued on condition that it is not reproduced, copied or disclosed to a third party, either wholly or in part, without the consent of HellermannTyton. | Drawn | CRB | 08/23/16 | Article/Type-No MOC22FTOVAL | Scale 1:1 |
| | | | Approved | EJH | 09/29/16 | | |
| | | | North America Email: corp@htamericas.com Web: www.hellermann.tyton.com | | | Title 22MM (7/8") MODULAR OMEGA CLIP WITH 6.5 X 12.5MM OVAL FIR TREE | |
| Drawing-No 16-0323-010-CSU | | Format AH | | | | | |
| | | | | | | PROTOTYPE : Phase | |
| | | | | | | Sheet 1/1 | |