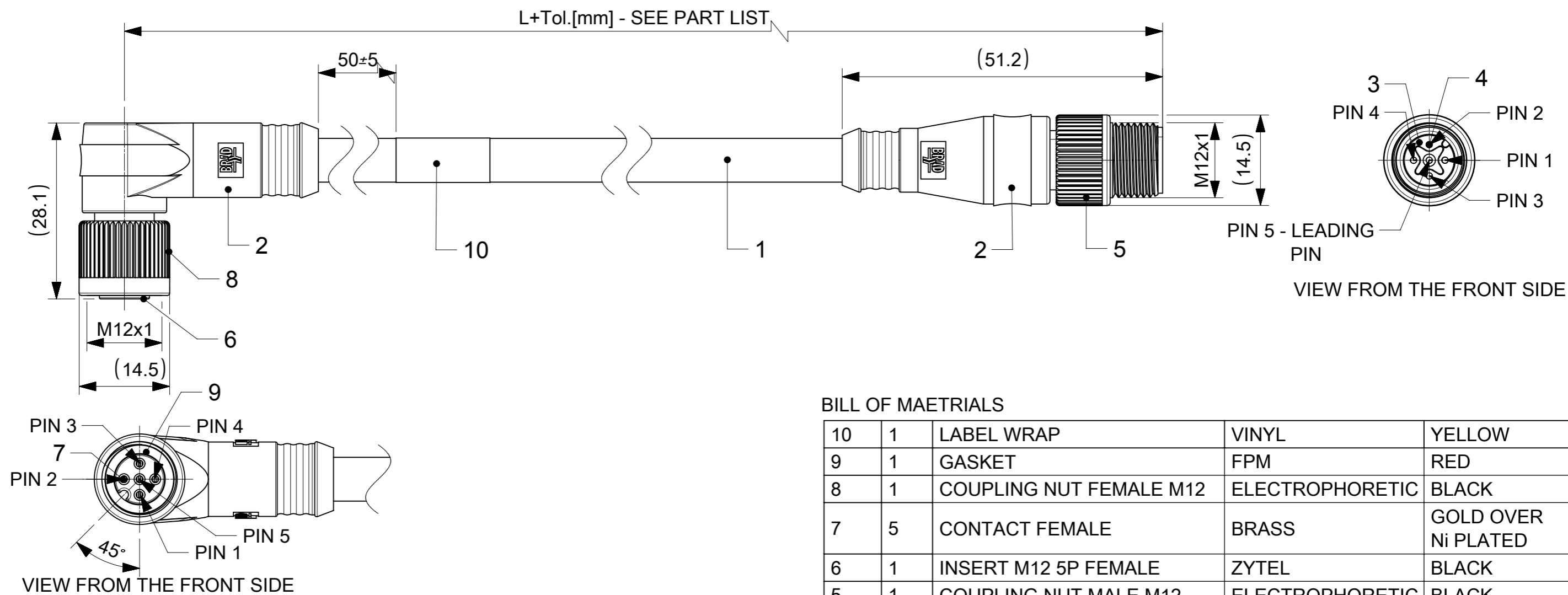
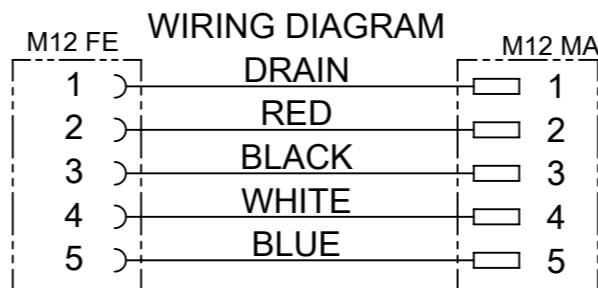


PRODUCT SPECIFICATION:

- 1. ELECTRICAL:  
VOLTAGE: 250V AC/DC  
CURRENT: 4A
- 4. TEMP RATING: -20° TO +80°C
- 5. PROTECTION: IP67 (WHET MATED)
- 6. AGENCY:  
UL LISTED, FILE: E152210  
CSA CERTIFICATION FILE: LR6837



PART LIST

MOLEX PN	ENGINEERING NO	L+Tol.[mm]
1300280003	DND32A-M006	600 +45
1300280080	DND32A-M002	200 +19
1300280081	DND32A-M003	300 +19
1300280082	DND32A-M004	400 +45
1300280083	DND32A-M005	500 +45
1300280084	DND32A-M007	700 +45
1300280085	DND32A-M010	1000 +56
1300280086	DND32A-M015	1500 +56
1300280089	DND32A-M030	3000 +89
1300280091	DND32A-M050	5000 +165

BILL OF MAETRIALS

ITEM	QTY	DESCRIPTION	MATERIAL	FINISH/COLOR
10	1	LABEL WRAP	VINYL	YELLOW
9	1	GASKET	FPM	RED
8	1	COUPLING NUT FEMALE M12	ELECTROPHORETIC	BLACK
7	5	CONTACT FEMALE	BRASS	GOLD OVER Ni PLATED
6	1	INSERT M12 5P FEMALE	ZYTEL	BLACK
5	1	COUPLING NUT MALE M12	ELECTROPHORETIC	BLACK
4	5	CONTACT MALE	BRASS	GOLD OVER Ni PLATED
3	1	INSERT M12 5P MA AC	ZYTEL	BLACK
2	-	MOULDING MATERIAL	PVC	GRAY
1	-	DROP CABLE 4x0.34mm <sup>2</sup>	PVC	GRAY

SYMBOLS ▽ = 0 ▽ = 0 ▽ = 0 ▽ = 0 ▽ = 0 ▽ = 0 ▽ = 0 ▽ = 0 ▽ = 0 ▽ = 0 ▽ = 0 ▽ = 0	THIS DRAWING CONTAINS INFORMATION THAT IS PROPRIETARY TO MOLEX ELECTRONIC TECHNOLOGIES, LLC AND SHOULD NOT BE USED WITHOUT WRITTEN PERMISSION DIMENSION UNITS: <b>mm</b> SCALE: <b>1.5:1</b> GENERAL TOLERANCES (UNLESS SPECIFIED) ANGULAR TOL ± 1.0° 4 PLACES ± 3 PLACES ± 2 PLACES ± 0.05 1 PLACE ± 0.3 0 PLACES ± 0.5 DRAFT WHERE APPLICABLE MUST REMAIN WITHIN DIMENSIONS	CURRENT REV DESC: EC NO: 618920 DRWN: MKOWALCZYK01 2019/06/11 CHK'D: DSTACHOWIAK 2019/06/12 APPR: DSTACHOWIAK 2019/06/12 INITIAL REVISION: DRWN: MKOWALCZYK01 2018/10/09 APPR: MIWASIECZKO 2018/10/12 THIRD ANGLE PROJECTION DRAWING: A3-SIZE SERIES: 130028	 MIC 5P M/FE XM 90/ST DROP PRODUCT CUSTOMER DRAWING DOCUMENT NUMBER: <b>1300280080</b> DOC TYPE: PSD DOC PART: 000 REVISION: A2 MATERIAL NUMBER: SEE PART LIST CUSTOMER: GENERAL MARKET SHEET NUMBER: 1 OF 1
	DOCUMENT STATUS: P1 RELEASE DATE: 2019/06/12 11:01:50		

6

5

4

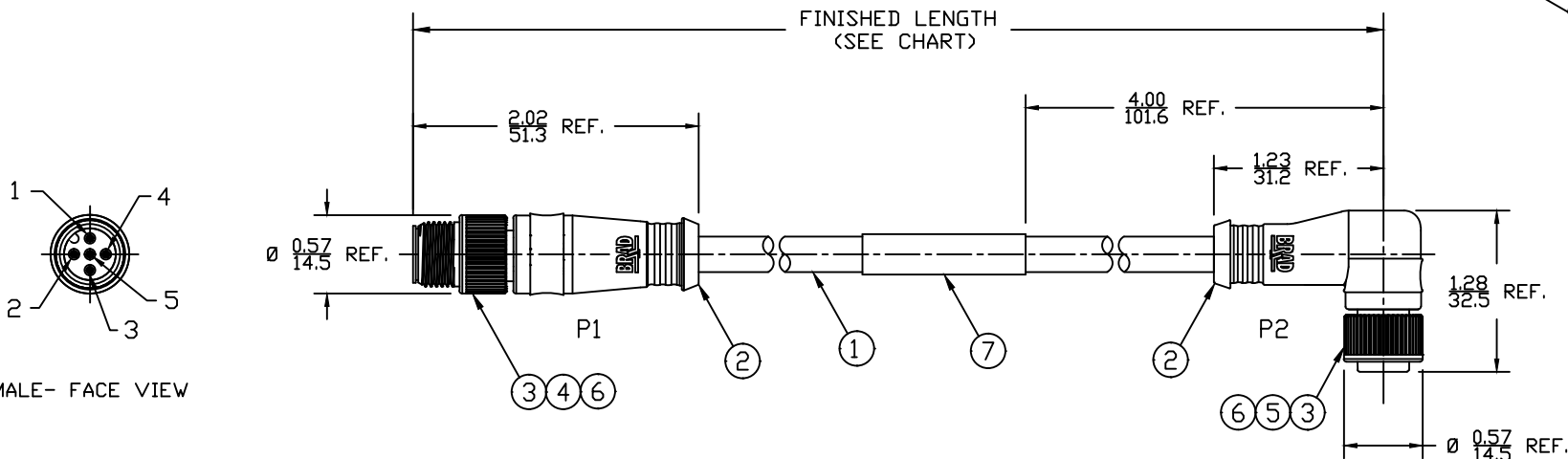
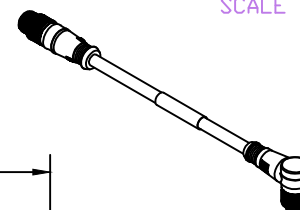
3

2

1

PART NUMBER	ENGINEERING NO.	LENGTH ± TOLERANCE
1300280083	DND32A-M005	1' 8" +1.75"/-0" [ 0.5M +44.5/-0 mm ]
1300280084	DND32A-M007	2' 4" +1.75"/-0" [ 0.7M +44.5/-0 mm ]
1300280085	DND32A-M010	3' 3" +2.19"/-0" [ 1M +55.6/-0 mm ]
1300280089	DND32A-M030	9' 10" +3.50"/-0" [ 3M +88.9/-0 mm ]
1300280091	DND32A-M050	16' 5" +6.50"/-0" [ 5M +165.1/-0 mm ]

(B1)

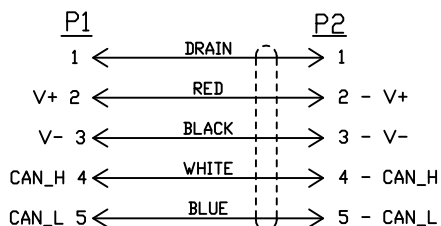
AUX VIEW  
SCALE 1:4

MALE- FACE VIEW

FEMALE- FACE VIEW

## NOTES:

- MATERIAL: SEE TABLE
- FINISHES: SEE TABLE
- ELECTRICAL DATA:  
MAX. VOLTAGE: 250V AC/DC  
MAX. CURRENT 4A
- ENVIRONMENTAL:  
PROTECTION IP67 (WHEN MATED)  
TEMPERATURE RANGE: -20°C TO 80°C
- WRAP LABEL IS MARKED WITH P/N, DATE CODE,  
VOLTAGE & AMPERAGE.
- DIMS SHOWN ARE FOR REFERENCE  
UNLESS NOTED OTHERWISE



SCHEMATIC

DND32A-M005

cable type  
DEV-NET DROP  
GRAY PVC

cable length  
005----.5 Meters  
010----1 Meter  
100----10 Meter

## TABLE

ITEM	DESCRIPTION	MATERIAL	FINISH
7	LABEL	VINYL	BLACK/YELLOW
6	INSERT	NYLON	BLACK
5	SOCKET CONTACT	COPPER ALLOY	GOLD PLATED
4	PIN CONTACT	COPPER ALLOY	GOLD PLATED
3	M12 COUPLING NUT	ZINC DIE-CAST	BLACK
2	OVERMOLD	PVC	GRAY
1	DEVICENET DROP CABLE, 2P, SHLD	PVC JACKET	GRAY
ITEM	DESCRIPTION	MATERIAL	FINISH

CORRECTED PINS FOR: 5 & 7M  
EC NO: IFC2017-0356  
DRWN: RSTONE 10/3/16  
CHKD: M ZIELIN 2016/10/04  
APPR: TWOLDEGE

QUALITY SYMBOLS  
▽=0  
▽C=0

GENERAL TOLERANCES  
(UNLESS SPECIFIED)

	mm	INCH
4 PLACES	±---	±---
3 PLACES	±---	±---
2 PLACES	±---	±---
1 PLACE	±---	±---

ANGULAR ±---°

DRAFT WHERE APPLICABLE  
MUST REMAIN  
WITHIN DIMENSIONS

DIMENSION STYLE  
IN/MM

DRAWN BY DATE

VOU 2009/07/30

CHECKED BY DATE

BWOODMAN 2009/07/31

APPROVED BY DATE

---

MATERIAL NO.

SEE CHART

SIZE A

SCALE  
---DESIGN UNITS  
INCHTHIRD ANGLE  
PROJECTION

TITLE  
M12 DEVICENET CABLE ASSY  
5P MALE/FEM ST/90  
#22/4 SHLD PVC -THIN STD

MOLEX INCORPORATED

DOCUMENT NO. SD-130028-002 SHEET NO. 1 OF 1

THIS DRAWING CONTAINS INFORMATION THAT IS PROPRIETARY TO MOLEX INCORPORATED AND SHOULD NOT BE USED WITHOUT WRITTEN PERMISSION

6

5

4

3

2

1