

**NOTES:**

RATED VOLTAGE: MAX. 63V AC/DC  
 RATED CURRENT: MAX. 16A at 40°C (derating has to be considered)  
 IP RATING: IP67 (mated and locked condition)  
 TEMPERATURE RANGE: -25°C TO +85°C

CABLE PRINTING (sequence as shown below):  
 - MOLEX engineering no. (see page 2)  
 - MOLEX material no. (see page 2)  
 - MOLEX MAX. 63V AC/DC MAX. 16 A USR  
 - MOLEX AND DATE OF MANUFACTURING (YY=YEAR; WW=WEEK): MXYWW  
 - Not for current interrupting  
 - PROFINET 24V Power 4x2,5 + FE

PART ACCORDING PRODUCT SPEC: 1205010169  
 PACKAGING ACCORDING PACKAGING SPEC: 1201202000

TABLE 1

POS	DESCRIPTION	MATERIAL	FINISH
1	NUT M12 MA	BRASS	Ni
2	CONTACT 15 MA	BRASS	Au
3	CONTACT 15 FE	BRASS	Au
4	INSERT	PA	GREY
5	OVERMOLD	TPE	BLACK
6	CABLE 5x2.5 D11.3 WSOR	PUR	GREY
OPTIONAL 7	ID CARRIER	-	-

FUNCTIONAL SYMBOLS $\nabla_A = 0$ $\nabla_E = 0$ $\nabla_{E'} = 0$ DIVISIONAL SYMBOLS	THIS DRAWING CONTAINS INFORMATION THAT IS PROPRIETARY TO MOLEX ELECTRONIC TECHNOLOGIES, LLC AND SHOULD NOT BE USED WITHOUT WRITTEN PERMISSION	CURRENT REV DESC: UPDATED ATTRIBUTE TO GENERAL MARKET IN ECTR				
	DIMENSION UNITS: mm SCALE: 2:1 GENERAL TOLERANCES (UNLESS SPECIFIED) ANGULAR TOL ± 1.0° 4 PLACES ± 3 PLACES ± 2 PLACES ± 0.05 1 PLACE ± 0.3 0 PLACES ± 0.5	EC NO: 735577 DRWN: MARUTD CHK'D: RSILLER APPR: RSILLER INITIAL REVISION: DRWN: FDAFERNER APPR: RSILLER	2023/01/12 2023/01/19 2023/01/19 2020/01/29 2021/03/15			PRODUCT CUSTOMER DRAWING DOCUMENT NUMBER: 1205000214 DOC TYPE: PSD DOC PART: 000 REVISION: A1
	DRAFT WHERE APPLICABLE MUST REMAIN WITHIN DIMENSIONS THIRD ANGLE PROJECTION 	DRAWING: A3-SIZE	SERIES: 120500	MATERIAL NUMBER: SEE TABLE 2	CUSTOMER: GENERAL MARKET	SHEET NUMBER: 1 OF 2

# ENGINEERING NO - NUMERICAL CODE (Available parts see PART LIST table. Other parts available upon request).

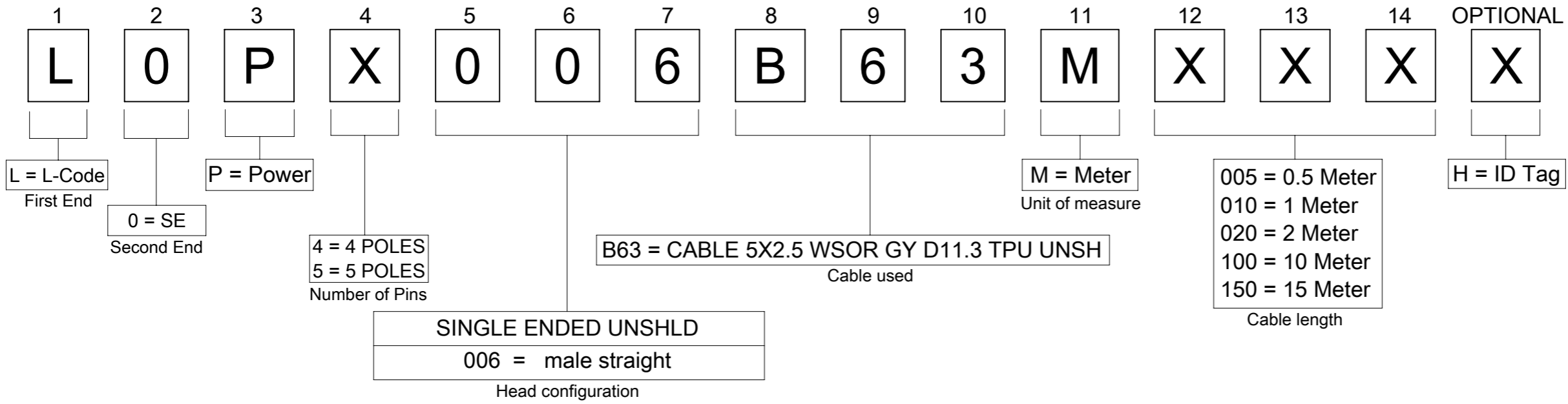


TABLE 2

NOMINAL SECTION 2,5mm <sup>2</sup>			
MATERIAL NO.	ENGINEERING NO.	L [mm]	TOLERANCE [mm]
1205000214	L0P5006B63M010	1000	+40
1205000215	L0P5006B63M020	2000	+60
1205000216	L0P5006B63M030	3000	+60
1205000217	L0P5006B63M050	5000	+60
1205000218	L0P5006B63M100	10000	+80
1205000219	L0P5006B63M150	15000	+140
1205000220	L0P5006B63M200	20000	+140

FUNCTIONAL SYMBOLS	THIS DRAWING CONTAINS INFORMATION THAT IS PROPRIETARY TO MOLEX ELECTRONIC TECHNOLOGIES, LLC AND SHOULD NOT BE USED WITHOUT WRITTEN PERMISSION									
	$\nabla_A = 0$ $\nabla_B = 0$ $\nabla_C = 0$	DIMENSION UNITS: <b>mm</b> SCALE: <b>1:1</b>				CURRENT REV DESC: UPDATED ATTRIBUTE TO GENERAL MARKET IN ECTR				
DIVISIONAL SYMBOLS	GENERAL TOLERANCES (UNLESS SPECIFIED)		EC NO: 735577							
	ANGULAR TOL $\pm 1.0^\circ$		DRWN: MARUTD 2023/01/12							
	4 PLACES $\pm$		CHK'D: RSILLER 2023/01/19							
	3 PLACES $\pm$		APPR: RSILLER 2023/01/19							
2 PLACES $\pm 0.05$		INITIAL REVISION:								
1 PLACE $\pm 0.3$		DRWN: FDAFERNER 2020/01/29								
0 PLACES $\pm 0.5$		APPR: RSILLER 2021/03/15								
DRAFT WHERE APPLICABLE MUST REMAIN WITHIN DIMENSIONS		THIRD ANGLE PROJECTION	DRAWING	SERIES	MATERIAL NUMBER	CUSTOMER	DOCUMENT NUMBER	DOC TYPE	DOC PART	REVISION
			A3-SIZE	120500	SEE TABLE 2	GENERAL MARKET	1205000214	PSD	000	A1
										SHEET NUMBER
										2 OF 2