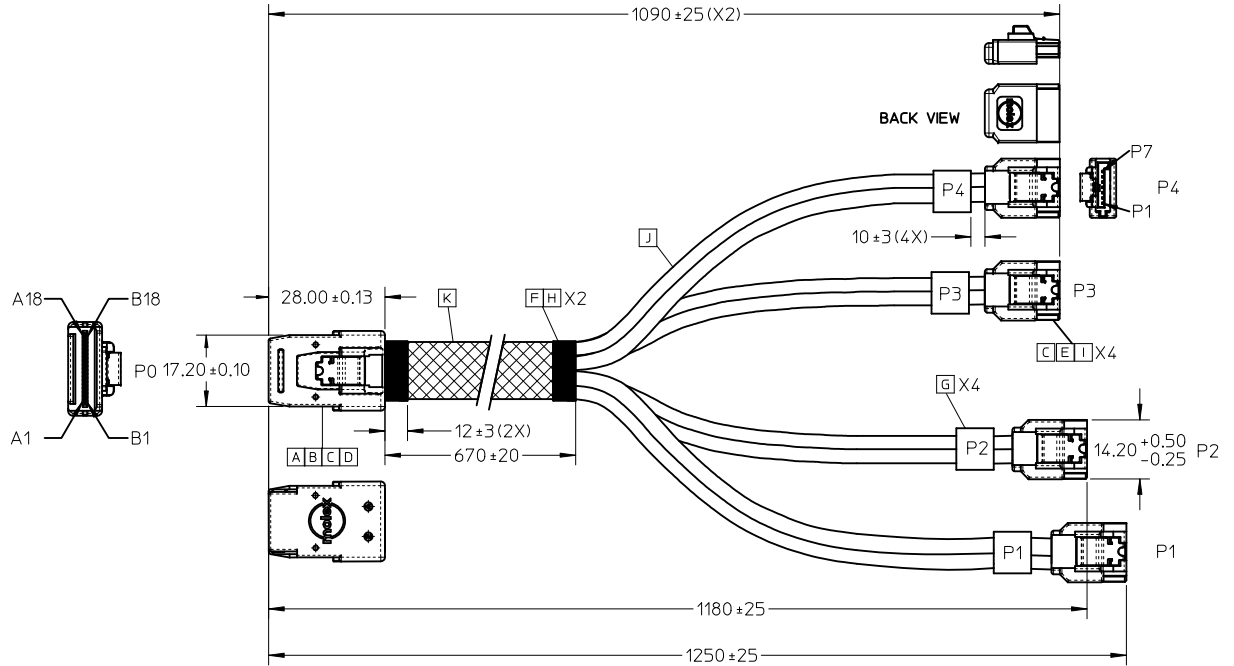


REVISIONS				
EC NO	DATE	REV	DESCRIPTION	CHANGER
NA	2010/11/17	A	INITIAL RELEASE	Ares Feng
CY11-6031	2010/12/24	B	INITIAL RELEASE	Ares Feng

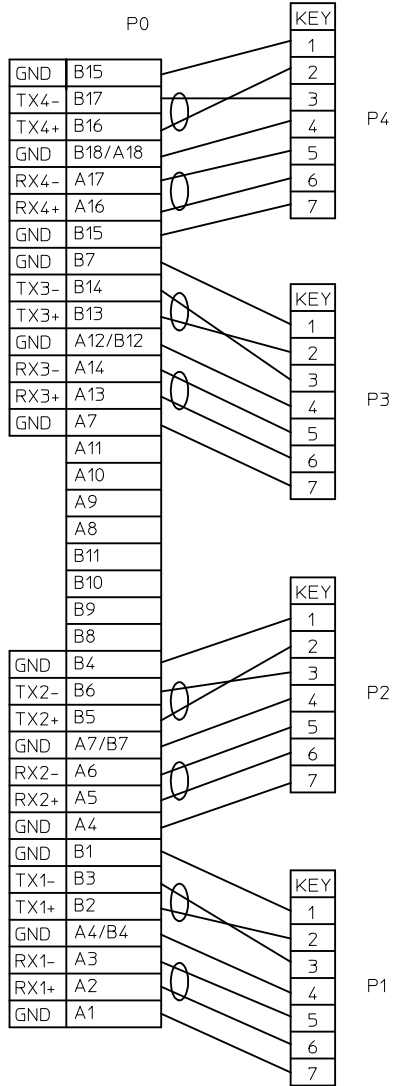
**NOTES**

1. IPASS INNERMOLD WITH PE RESIN  
IPASS OUTMOLD WITH PBT RESIN  
SATA INNER MOLD WITH PE RESIN  
SATA OUTER MOLD WITH PVC RESIN
2. ELECTRICAL PERFORMANCE REFER TO BELOW:
  - 2.1. INSULATION RESISTANCE:10M OHMS.
  - 2.2. CONDUCTIVE RESISTANCE:5 OHMS MAX.
  - 2.3. VOLTAGE PRESSURE PROOF TEST:400V DC/0.01 SEC.
  - 2.4. MATED CONNECTOR IMPEDANCE:100 OHMS± 15% (RISETIME 70ps @ 20%-80%)
  - 2.5. CABLE ABSOLUTE IMPEDANCE:100 OHMS± 15% (RISETIME 70ps @ 20%-80%)
  - 2.6. COMMON MODE IMPEDANCE:32.5± 7.5 OHMS (RISETIME 70ps @ 20%-80%)
  - 2.7. INSERTION LOSS:8dB MAX (10MHz~4.5GHz).
  - 2.8. MAXIMUM NEAR-END CROSSTALK:-26dB MAX (10MHz~4.5GHz)
  - 2.9. MATED CONNECTOR PAIR MATCHING:5 OHMS
  - 2.10. INTRA-PAIR SKEW:10PS MAX. (LENGTH<1M) 10PS/M(LENGTH>1M)
3. FOR P0 SIDE ASS'Y PLEASE REFER TO E-74562-010 FOR DETAIL
4. THIS PRODUCT MEETS THE RESTRICTION OF HAZARDOUS SUBSTANCES  
IN ELECTRICAL AND ELECTRONIC EQUIPMENT (RoHS) DIRECTIVE (2002/95/EC).
5. WORKING TEMPERATURE:-40°C TO 85°C.
6. MINIMUM END RADIUS:20MM



IPASS™ IS A TRADEMARK OF MOLEX

ENTER DESCRIPTION EC NO: USY2011-0505 DRWN:ZYU 2011/01/14 CHKD:ARES FENG 2011/01/14 APPR:CLAN01 2011/01/14 B	QUALITY SYMBOLS ▽=0 ▽=0	GENERAL TOLERANCES (UNLESS SPECIFIED) mm INCH 4 PLACES ± --- ± --- 3 PLACES ± --- ± --- 2 PLACES ± 0.13 ± --- 1 PLACE ± 0.25 ± --- ANGULAR ± 1/2°	DIMENSION STYLE MM ONLY DRAWN BY DATE ZYU 2010/12/10 CHECKED BY DATE ARES FENG 2010/12/10 APPROVED BY DATE CLAN01 2010/12/14	SCALE --- DESIGN UNITS METRIC THIRD ANGLE PROJECTION	TITLE 36CKTIPASS STR-(4)SATA,SAS 2.0
	DRAFT WHERE APPLICABLE MUST REMAIN WITHIN DIMENSIONS		MATERIAL NO. 1110961051	DOCUMENT NO. SD-111096-008	SHEET NO. 1 OF 2
	MOLEX INCORPORATED				
	THIS DRAWING CONTAINS INFORMATION THAT IS PROPRIETARY TO MOLEX INCORPORATED AND SHOULD NOT BE USED WITHOUT WRITTEN PERMISSION				



NOTE:  
1. ALL SIGNAL GROUNDS ARE BUSSED IN PCB.

IPASS™ IS A TRADEMARK OF MOLEX.

ITEM	DESCRIPTION	L (mm)	QTY.
K	Braid sleeving	670REF	1
J	2x28AWG-S;SHLD:PVC;RD:1.70x6.50MM;S-ATA -40C~85C	4610REF	
I	BLACK PVC	A/R	
H	BLCK TAPE	A/R	2
G	LABEL		4
F	HST F 12MM 125C (UL) BLK	A/R	2
E	SINGLE ATA CONN.		4
D	36CKT PCB		1
C	PE MATERIAL	A/R	
B	PBT	A/R	
A	LATCH		1

ENTER DESCRIPTION EC NO: USY2011-0505 DRWN: ZYYU 2011/01/14 CHKD: ARES FENG 2011/01/14 APPR: CLAN01 2011/01/14 REV B	QUALITY SYMBOLS ▽=0 ▽=0	GENERAL TOLERANCES (UNLESS SPECIFIED)		DIMENSION STYLE MM ONLY		SCALE ---	DESIGN UNITS METRIC	THIRD ANGLE PROJECTION			
		4 PLACES ± --- ± --- 3 PLACES ± --- ± --- 2 PLACES ± 0.13 ± --- 1 PLACE ± 0.25 ± ---	mm INCH	DRAWN BY ZYYU	DATE 2010/12/10	TITLE 36CKTIPASS STR-(4)SATA,SAS 2.0					
		ANGULAR ±1/2°		CHECKED BY ARES FENG	DATE 2010/12/10	MOLEX INCORPORATED					
		DRAFT WHERE APPLICABLE MUST REMAIN WITHIN DIMENSIONS		APPROVED BY CLAN01	DATE 2010/12/14	MATERIAL NO. 1110961051	DOCUMENT NO. SD-111096-008	SHEET NO. 2 OF 2			