

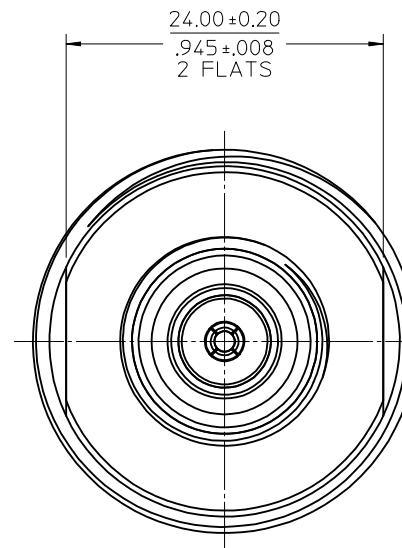
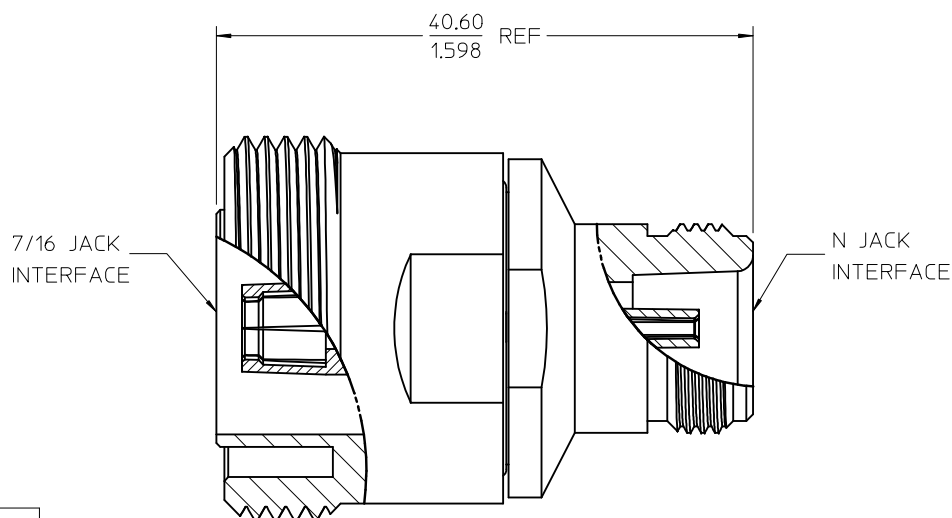
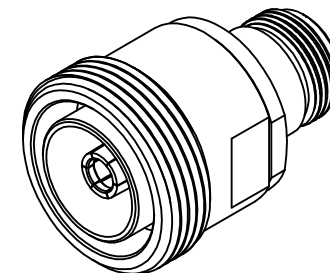
MATERIALS AND FINISHES

BODY: BRASS
 PLATED TRI-M3
 CONTACT: PHOSPHOR BRONZE
 PLATED SILVER
 INSULATOR: TEFLON
 O-RING: SILICON RUBBER
 DUST CAP: PE

PERFORMANCE REQUIREMENTS:

FREQUENCY RANGE: DC-3000MHZ
 TEMPERATURE RANGE: -40-+85°C
 IMPEDANCE: 50 OHM
 WITHSTAND VOLTAGE(AC): 2500V @0.5mA
 VSWR: ≤1.05(0-1000MHZ); ≤1.10(1000-2200MHZ); ≤1.10(2200-3000MHZ)
 PIM3(2x20W):≤-158dBC @900MHZ AND 1800MHZ
 PIM7(2x20W):≤-158dBC @2100MHZ
 WATER-PROOF: IP68 WHEN MATED

NOTE: WHEN SHIPPED
 WITH POLYETHYLENE DUST
 CAPS ON CONNECTORS



73386-7351	ACOME BOX
73386-7350	NEUTRAL BOX
PART NO.	PACKAGING

IEC 60169-16	INTERFACE(N PORT)
IEC 60169-4	INTERFACE (7/16 PORT)
SPECIFICATION	DESCRIPTION

CHG: ADD NEW PN. 73386-7351 CHG: NEW RELEASE	EC NO: URF2014-0700 DRAWN:YHUANG11 2014/06/12 CHKD: APPR:SRZHAO 2014/06/24	QUALITY SYMBOLS ▽=0 ▽=0 ▽=0	GENERAL TOLERANCES (UNLESS SPECIFIED)		DIMENSION STYLE MM/IN	SCALE	DESIGN UNITS METRIC	THIRD ANGLE PROJECTION	
			4 PLACES ± --- ± ---	3 PLACES ± --- ± ---	2 PLACES ± --- ± ---	1 PLACE ± --- ± ---	0 PLACE ± --- ± ---	mm	INCH
DRAFT WHERE APPLICABLE MUST REMAIN WITHIN DIMENSIONS			ANGULAR ± 2 °		MATERIAL NO.	DOCUMENT NO.	SHEET NO.		
A1			SEE TABLE		SD-73386-735		1 OF 1		
THIS DRAWING CONTAINS INFORMATION THAT IS PROPRIETARY TO MOLEX INCORPORATED AND SHOULD NOT BE USED WITHOUT WRITTEN PERMISSION									