

Customer Information Sheet

DRAWING No.: M80-867XXXX

SHEET 2 OF 2

IF IN DOUBT - ASK

©

NOT TO SCALE

THIRD ANGLE PROJECTION

ALL DIMENSIONS IN mm

SPECIFICATIONS:

MATERIAL:
 MOULDING = GLASS-FILLED POLYESTER,
 UL94V-0, BLACK

CONTACTS = PHOSPHOR BRONZE
 LATCHES = BERYLLIUM COPPER

FINISH:

CONTACTS:

05 = 0.75µ GOLD
 22 = 0.75µ GOLD ON CONTACT AREA,
 3.0µ 90/10 TIN/LEAD ON TAILS

LATCH = 1.25µ NICKEL

ELECTRICAL:

CURRENT RATING (25°C) = 3.0A MAX.
 CURRENT RATING (85°C) = 2.2A MAX.
 WORKING VOLTAGE = 800V AC/DC
 VOLTAGE PROOF = 1200V AC/DC

CONTACT RESISTANCE:

INITIAL = 20mΩ MAX.
 AFTER CONDITIONING = 25mΩ MAX.

INSULATION RESISTANCE:

INITIAL = 1000MΩ MIN.
 AFTER CONDITIONING = 100MΩ MIN.

MECHANICAL:

DURABILITY = 500 OPERATIONS

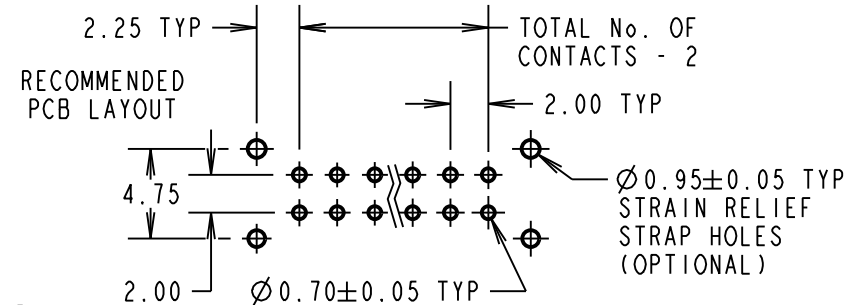
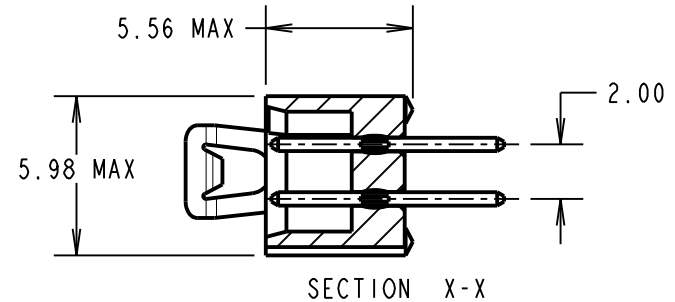
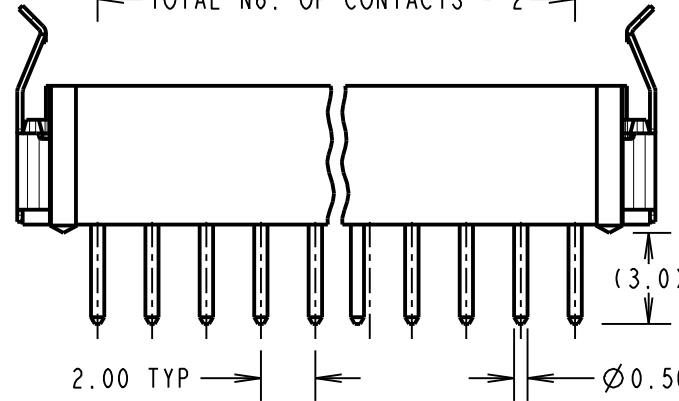
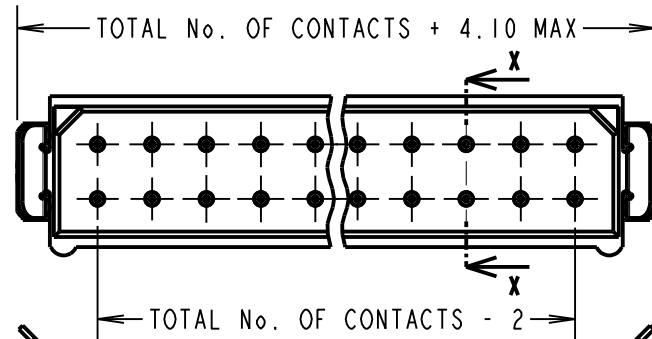
ENVIRONMENTAL:

TEMPERATURE RANGE = -55°C TO +125°C

PACKING:

TUBE

FOR COMPLETE SPECIFICATION, SEE
 COMPONENT SPEC C005XX (LATEST ISSUE)



NOTES:

- 2-OFF STRAIN RELIEF STRAPS M80-0030006 MAY BE USED WITH THIS CONNECTOR.
- FOR RoHS COMPLIANT EQUIVALENT PRODUCT USE M80-853XXXX CONNECTORS.

ORDER CODE:

M80-867XXXX

TOTAL No. OF CONTACTS:

04, 06, 08, 10, 12, 14,
 16, 18, 20, 26, 34, 44

FINISH:

05 = GOLD
 22 = SELECTIVE GOLD

BRITISH STANDARD ORDER CODE:

B5743-2XX-M-T-X

TOTAL No. OF CONTACTS:

04, 06, 08, 10, 12, 14, 16,
 18, 20, 26, 34, 44

FINISH:

1 = SELECTIVE GOLD
 3 = GOLD

MSP	17	05.07.17	13313
NAME	ISS.	DATE	C/NOTE
APPROVED:		M.PERREN	
CHECKED:		M.PLESTED	
DRAWN:		J. CLAY	
CUSTOMER REF.:			
ASSEMBLY DRG:			

HARWIN

www.harwin.com
 technical@harwin.com

THIS DRAWING AND ANY INFORMATION OR DESCRIPTIVE MATTER SET OUT HEREON ARE CONFIDENTIAL AND COPYRIGHT PROPERTY OF THE HARWIN GROUP AND MUST NOT BE DISCLOSED, LOANED, COPIED OR USED FOR MANUFACTURING, TENDERING OR FOR ANY OTHER PURPOSE WITHOUT THEIR WRITTEN PERMISSION.

TOLERANCES
 X. = ±1mm
 X.X = ±0.50mm
 X.XX = ±0.10mm
 X.XXX = ±0.01mm
 ANGLES = ±5°
 UNLESS STATED

MATERIAL:

SEE ABOVE

FINISH:

SEE ABOVE

S/AREA:

mm²

TITLE:

DATAMATE DIL
 VERTICAL MALE PC TAIL
 ASSEMBLY - LATCHED

DRAWING NUMBER:

M80-867XXXX

SHT
 2
 OF
 2