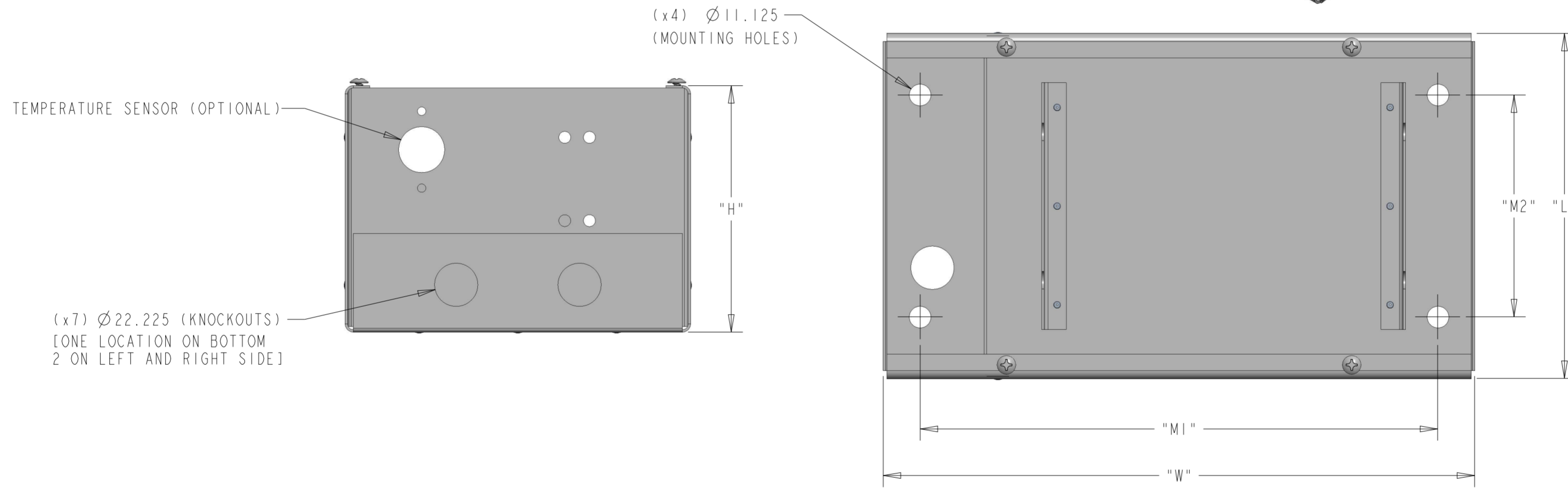
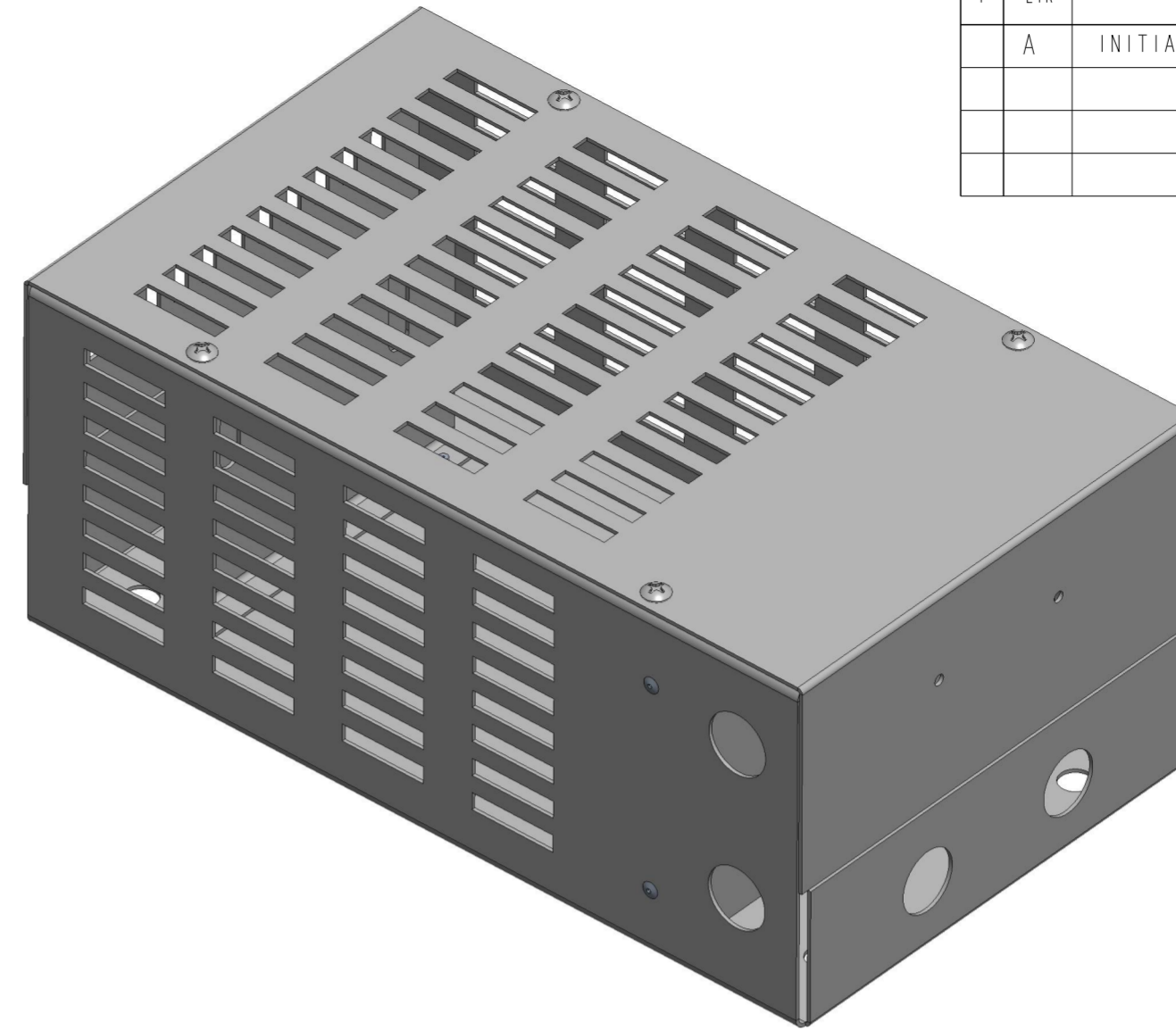
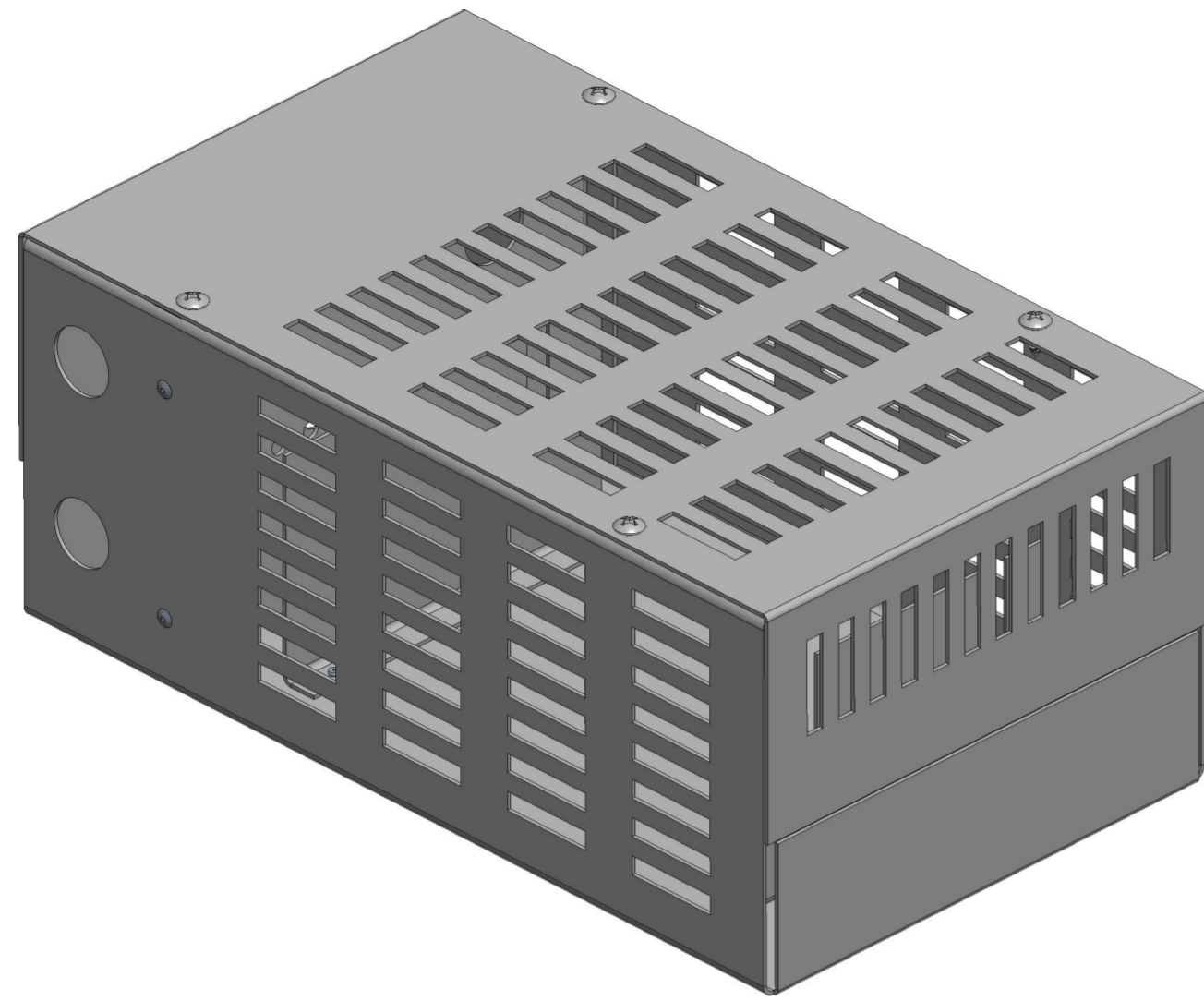


P	LTR	DESCRIPTION	DATE	DWN	APVD
A		INITIAL RELEASE	07OCT2021	KS	AP

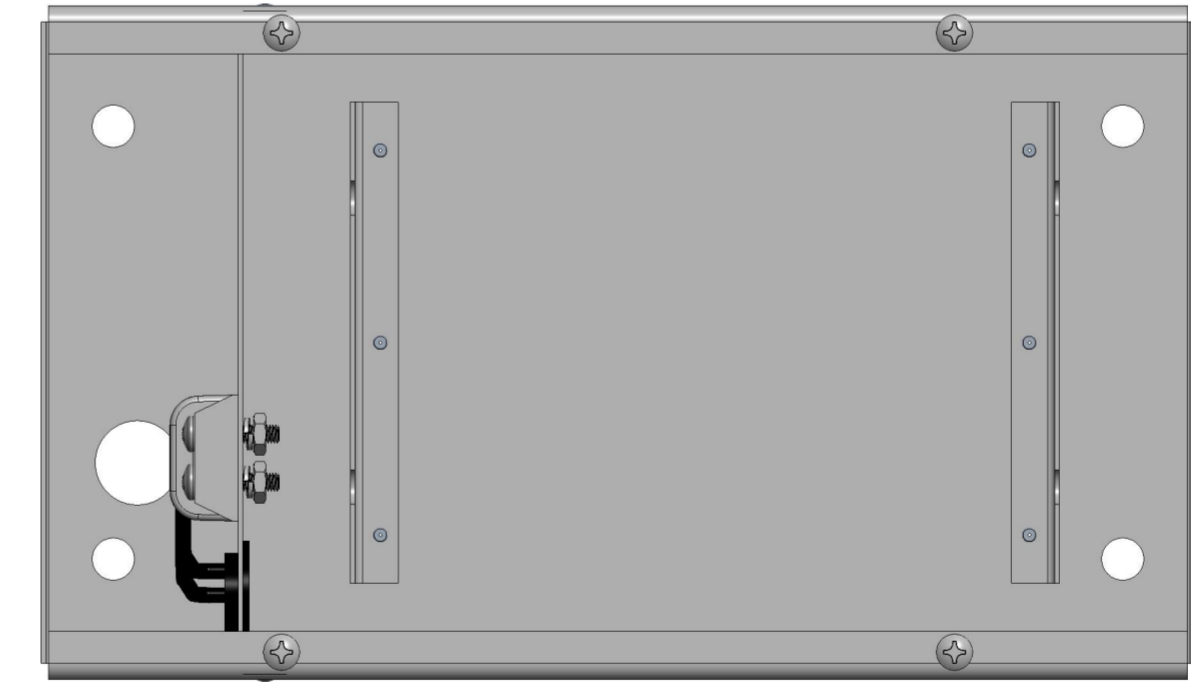
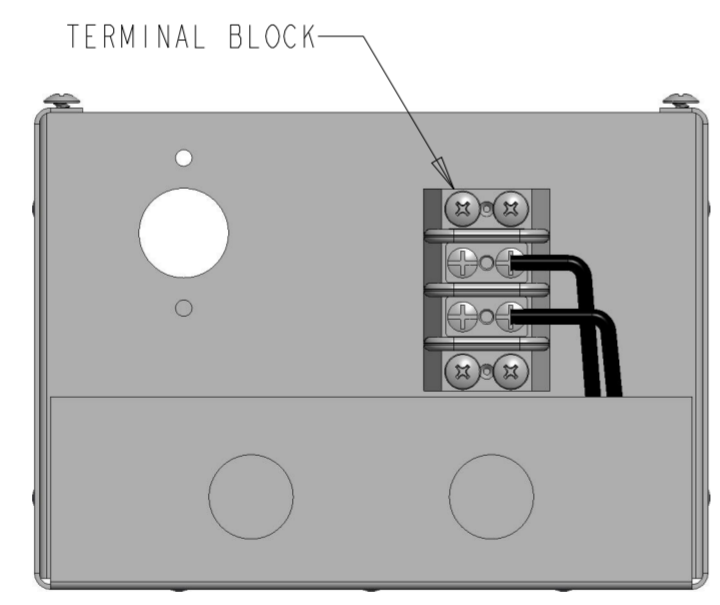
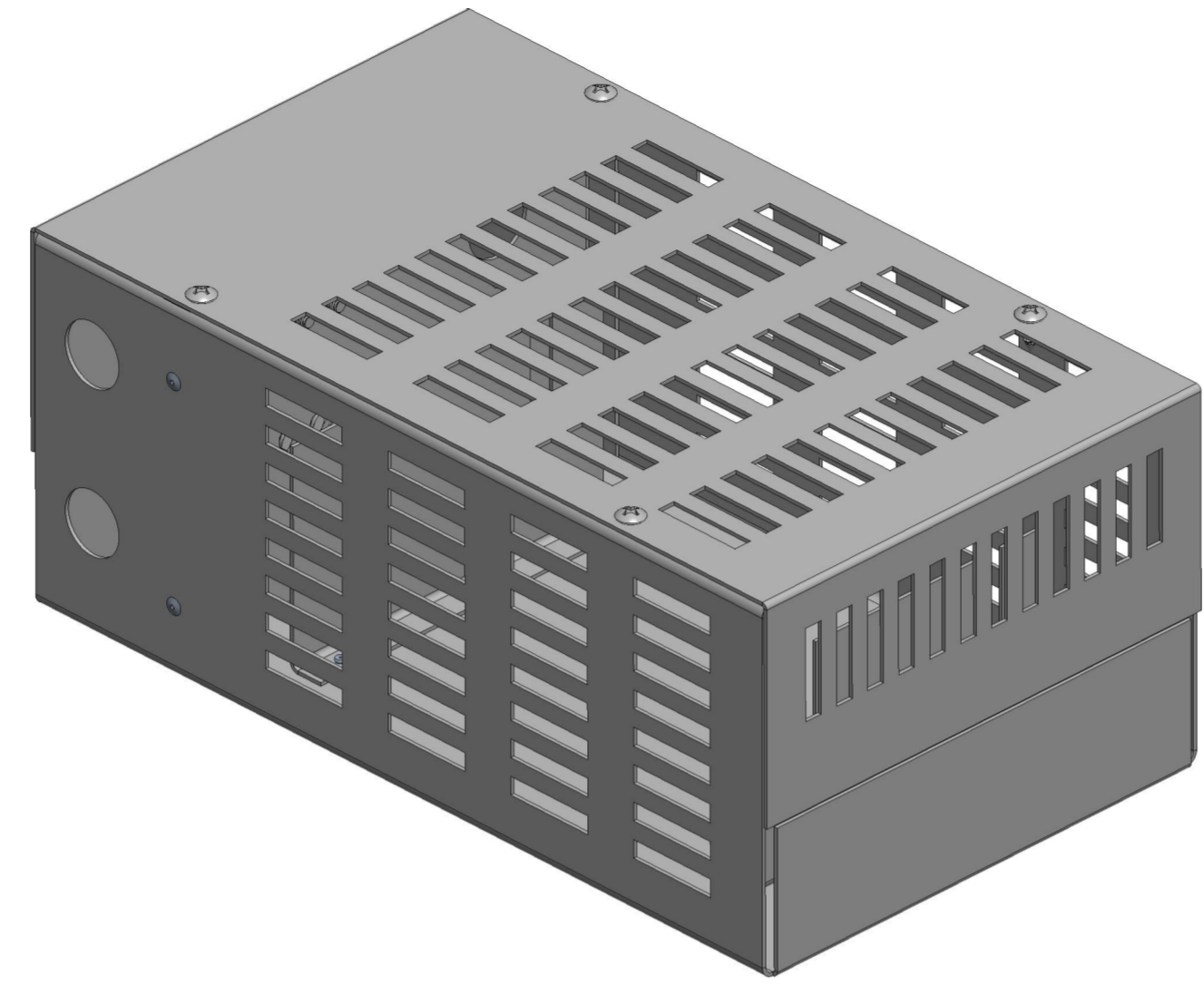



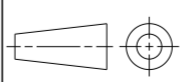
PART NUMBER	W (mm)	L (mm)	H (mm)	M1 (mm)	M2 (mm)	TOTAL RESISTANCE	H.P.	DUTY CYCLE	DRIVE VOLTAGE	BRAKING TORQUE
HPBA007A250R050E	305	178	127	267	114	250 Ohms \pm 10%	0.75	50%	230 V	100%

NOTE:
1. FOR FURTHER TECHNICAL INFORMATION PLEASE SEE THE DATASHEET FOR THE HPBA SERIES

THIS DRAWING IS A CONTROLLED DOCUMENT.		DWN S. KARTHIK 13-09-2021	TE Connectivity															
DIMENSIONS: mm		CHK ALLAN PILE 13-09-2021																
TOLERANCES UNLESS OTHERWISE SPECIFIED:		APVD ALLAN PILE 13-09-2021	NAME BRAKING RESISTOR ASSEMBLY TYPE HPBA SERIES HPBA007A250R050E															
<table border="0"> <tr> <td>0 PLC</td> <td>\pm</td> </tr> <tr> <td>1 PLC</td> <td>\pm</td> </tr> <tr> <td>2 PLC</td> <td>± 0.50</td> </tr> <tr> <td>3 PLC</td> <td>± 0.500</td> </tr> <tr> <td>4 PLC</td> <td>\pm</td> </tr> <tr> <td>ANGLES</td> <td>\pm</td> </tr> <tr> <td>FINISH</td> <td>-</td> </tr> </table>		0 PLC	\pm	1 PLC	\pm	2 PLC	± 0.50	3 PLC	± 0.500	4 PLC	\pm	ANGLES	\pm	FINISH	-	PRODUCT SPEC -	SIZE A2	
0 PLC	\pm																	
1 PLC	\pm																	
2 PLC	± 0.50																	
3 PLC	± 0.500																	
4 PLC	\pm																	
ANGLES	\pm																	
FINISH	-																	
MATERIAL -		APPLICATION SPEC -	CAGE CODE 00779	DRAWING NO C-2176470-2														
		WEIGHT -	RESTRICTED TO -															
		CUSTOMER DRAWING	SCALE 1:2	SHEET 1 OF 2														
			REV A															

REVISIONS				
P	LTR	DESCRIPTION	DATE	APVD
		SEE SHEET 1		



THIS DRAWING IS A CONTROLLED DOCUMENT.		DWN S. KARTHIK	3-09-2021	 TE Connectivity			
DIMENSIONS: mm		CHK ALLAN PILE	3-09-2021			NAME BRAKING RESISTOR ASSEMBLY TYPE HPBA SERIES HPBA007A250R050E	
		APVD ALLAN PILE	3-09-2021			SIZE A2	
TOLERANCES UNLESS OTHERWISE SPECIFIED:		PRODUCT SPEC		CAGE CODE	DRAWING NO		
0 PLC	±	-		00779	C-2176470-2		
1 PLC	±	-		RESTRICTED TO			
2 PLC	±0.50	-		-			
3 PLC	±0.500	-		SCALE 1:2 SHEET 2 OF 2 REV A			
4 PLC	±	-					
ANGLES	±	-					
FINISH	-	-					
MATERIAL	-	WEIGHT		CUSTOMER DRAWING			