



ANATECH ELECTRONICS INC
RF & Microwave Filters & Products

32 MHz LC Band Pass Filter

Part Number: AE32B5450



Electrical Specifications

Center Frequency (CF): 32 MHz
3dB Passband: 26.9-38.12 MHz
Insertion Loss @ CF: 3.0 dB Max.
Ripple: 0.1dB Max.
Return Loss @ 28-36 MHz: 14dB Min.
Rejection1: 40 dB Min @ 22.75 MHz
Rejection2: 40 dB Min @ 45.08-500 MHz
Power Handling : 10 W

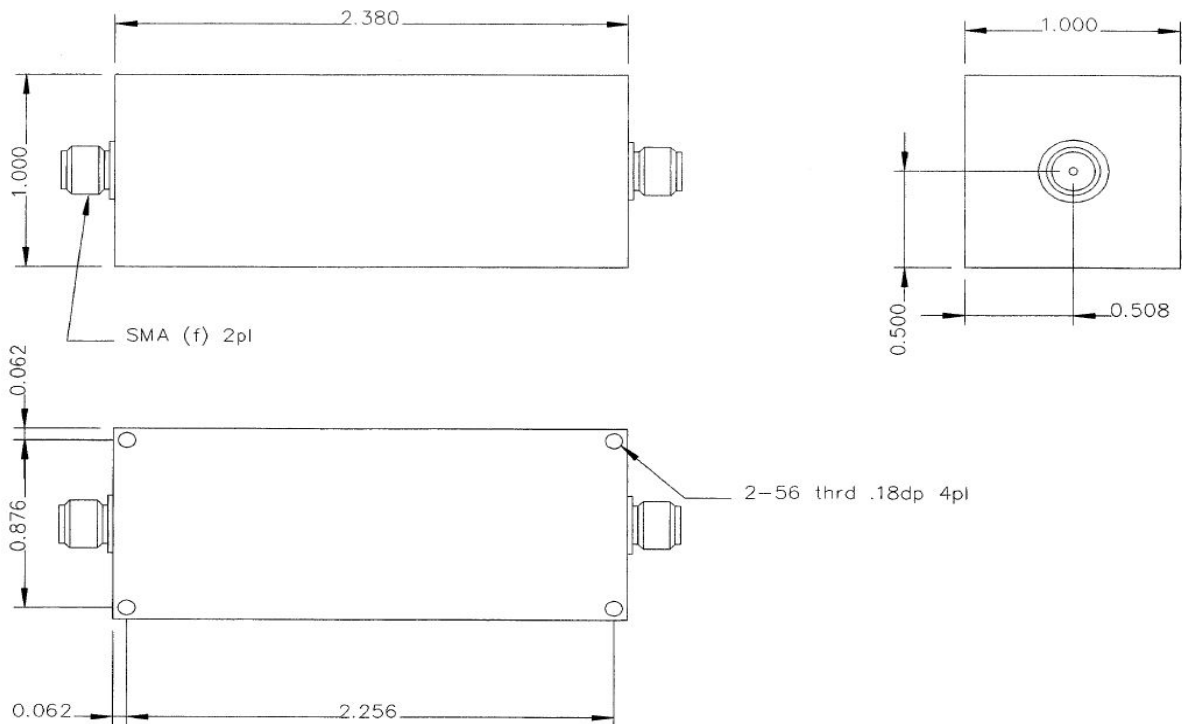
Mechanical

Mounting Method: Threaded Holes
Connector Type: SMA(F)
Dimensions: 2.38" X 1.0" x 1.0".

Environmental

Operating Temperature: -25°C to +70°C
Storage Temperature: -40°C to +90°C
Shock: 10 G. 11ms
Vibration: 10 G. 5 to 200Hz

Outline Drawing:



Tolerance: +/-0.01 inches [+/- 0.3mm]

Angles: +/- 1 Deg.

*Tolerance as shown unless otherwise specified in the datasheet electrical specification tables above.

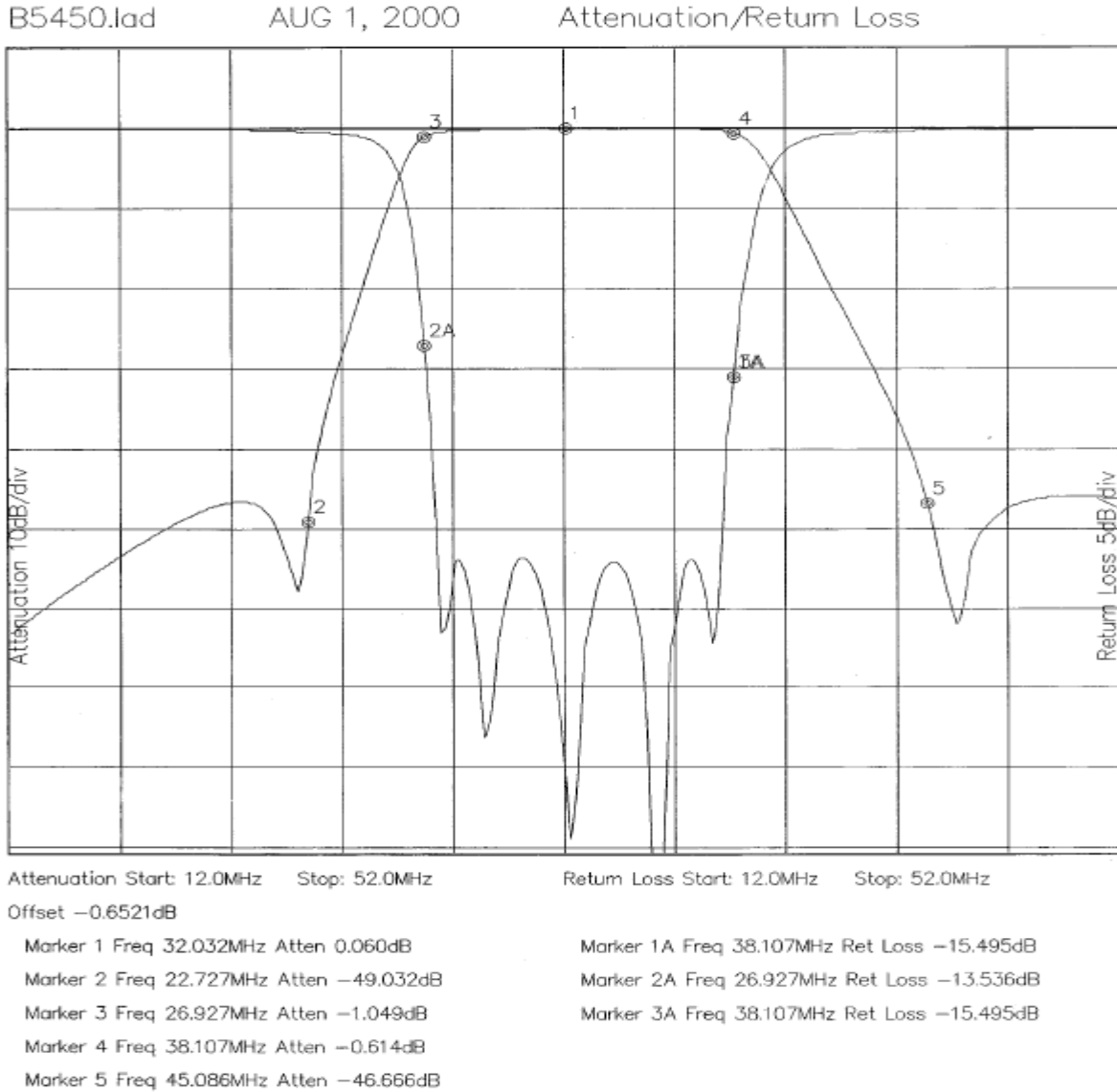
*When max dimensions are called out the above tolerances do not apply as long as it is under the max call out.

70 Outwater Lane Phone: (973) 772-4242
 Garfield, NJ 07026 Fax : (973) 321-3941

Email: sales@anatechelectronics.com
 Web: www.anatechelectronics.com



Simulation Plot:



Note: This is a simulated response plot. Actual performance might differ.