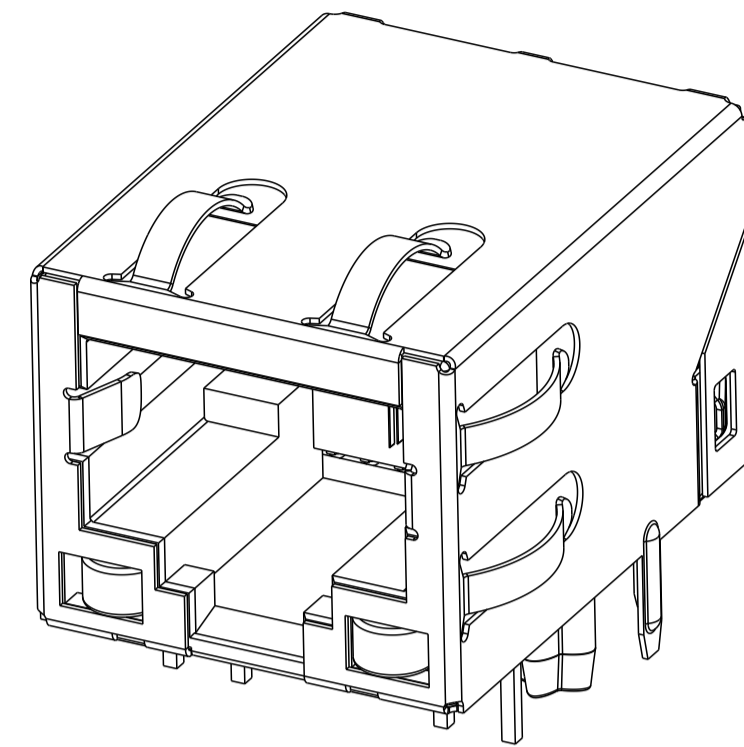
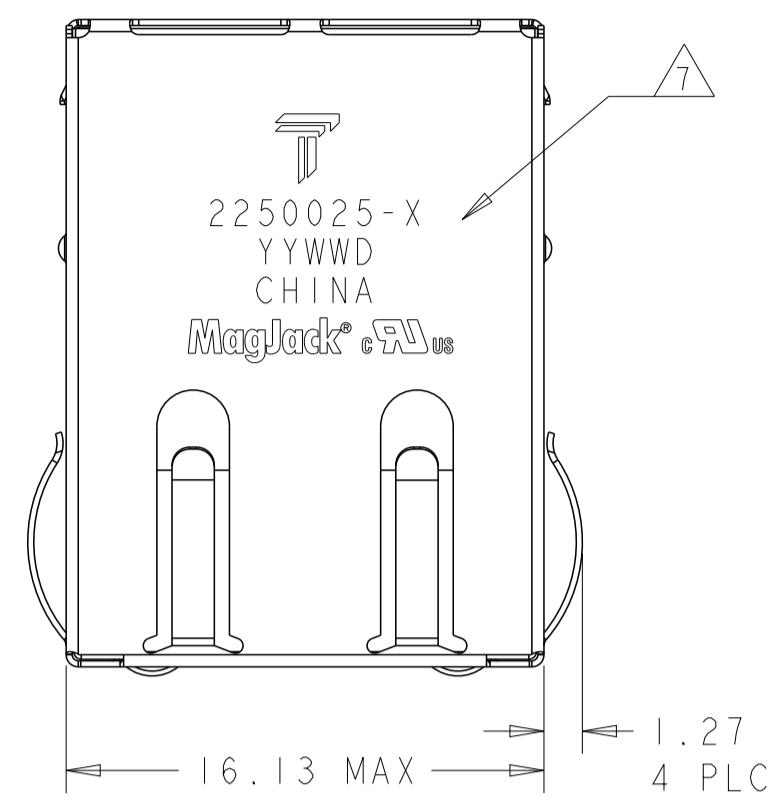


THIS DRAWING AND THE SUBJECT MATTER SHOWN THEREON ARE CONFIDENTIAL AND THE PROPERTY OF BEL/STEWART/TRP CONNECTOR AND SHALL NOT BE REPRODUCED, COPIED, OR USED IN ANY MANNER WITHOUT THE WRITTEN CONSENT OF TRP CONNECTOR.

PRODUCT MAY BE PROTECTED BY ONE OR MORE OF THE FOLLOWING US PATENTS:
 5736910 5939955 6425781 6428361 6554638 6840817 7123117
 7429195 7717749 7808751 6217391 6149050 7924130

REVISIONS				
P	LTN	DESCRIPTION	DATE	OWN APVD
3		SEE LAST SHEET	13JAN2015	RL TY



1. MATERIALS
- HOUSING: THERMOPLASTIC, FLAMMABILITY RATING UL 94V-0.
 - SHIELD: BRASS 0.20mm THICK, PREPLATED WITH 0.76um MIN SEMI-BRIGHT NICKEL. SOLDER TABS POST DIPPED WITH 2.54um MIN SAC SOLDER.
 - CONTACTS: PHOSPHOR BRONZE 0.46mm X 0.30mm, PHOSPHOR BRONZE, 1.27um MIN NICKEL UNDERPLATE, WITH 1.27um MIN GOLD PLATING AT MATING INTERFACE AND 2.54um MIN MATTE TIN ON SOLDER TAILS.
 - SOLDER TAILS: 0.25mm THICK, PHOSPHOR BRONZE, 1.27um MIN OVERALL NICKEL UNDERPLATE, 3um TIN PLATE
 - LIGHT EMITTING DIODE (LED): DIFFUSED EPOXY LENS, 0.5mm X 0.5mm CARBON STEEL WIREFRAME LEADS PREPLATED WITH 2.03um MIN. SILVER PLATE OVER 1.02um MIN. NICKEL OVER 1.02um MIN. COPPER UNDERPLATE; LEADS POST-PLATED WITH 3.05um MIN. MATTE TIN AND/OR SAC SOLDER DIP OR PURE TIN SOLDER DIP

△ RJ45 JACK CAVITY CONFORMS TO FCC RULES AND REGULATIONS PART 68 SUB PART F.

- △ 3. MAGNETICS
- APPLICATION: 10/100 BASE-T, EXTENDED TEMPERATURE
 - IMPEDANCE: 100 OHMS
 - TURNS RATIO (CHIP:CABLE): TX = 1:1, RX = 1:1
 - OPEN CIRCUIT INDUCTANCE (OCL): 350uH MIN @100kHz, 0.1VRMS, 8mADC BIAS FROM -40°C TO +85°C, TX AND RX
 - PERFORMANCE @ 25°C:
 - INSERTION LOSS (IL): 1.1dB MAX FROM 0.5MHz TO 100MHz
 - RETURN LOSS (RL): 18dB MIN FROM 0.5MHz TO 30MHz
 - 18-20LOG(f/30)dB MIN FROM 30.1MHz TO 60MHz
 - 12dB MIN FROM 60.1MHz TO 80MHz
 - CROSSTALK ATTENUATION: 35dB MIN FROM 0.5MHz TO 40MHz
 - 33-20LOG(f/50)dB MIN FROM 40.1MHz TO 100MHz
 - COMMON MODE REJECTION RATIO (CMRR): 30dB MIN FROM 0.5MHz TO 100MHz
 - ISOLATION VOLTAGE: 2250VDC FOR 60 SECONDS WITH A RISE TIME OF 500 V/SEC

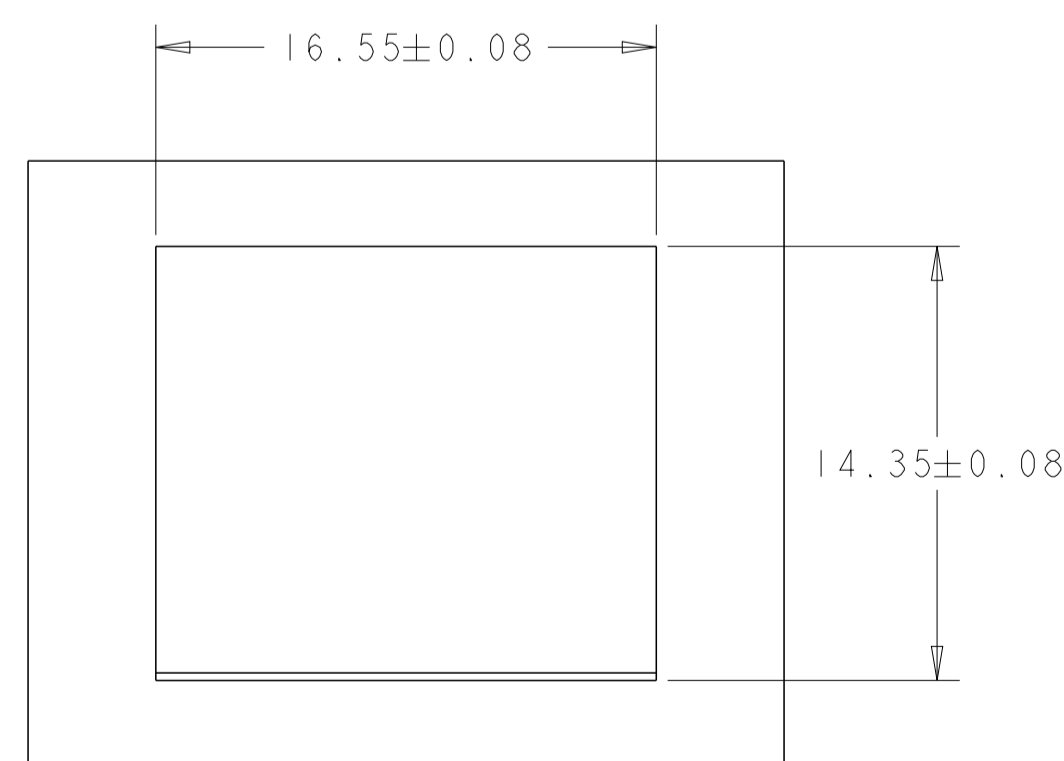
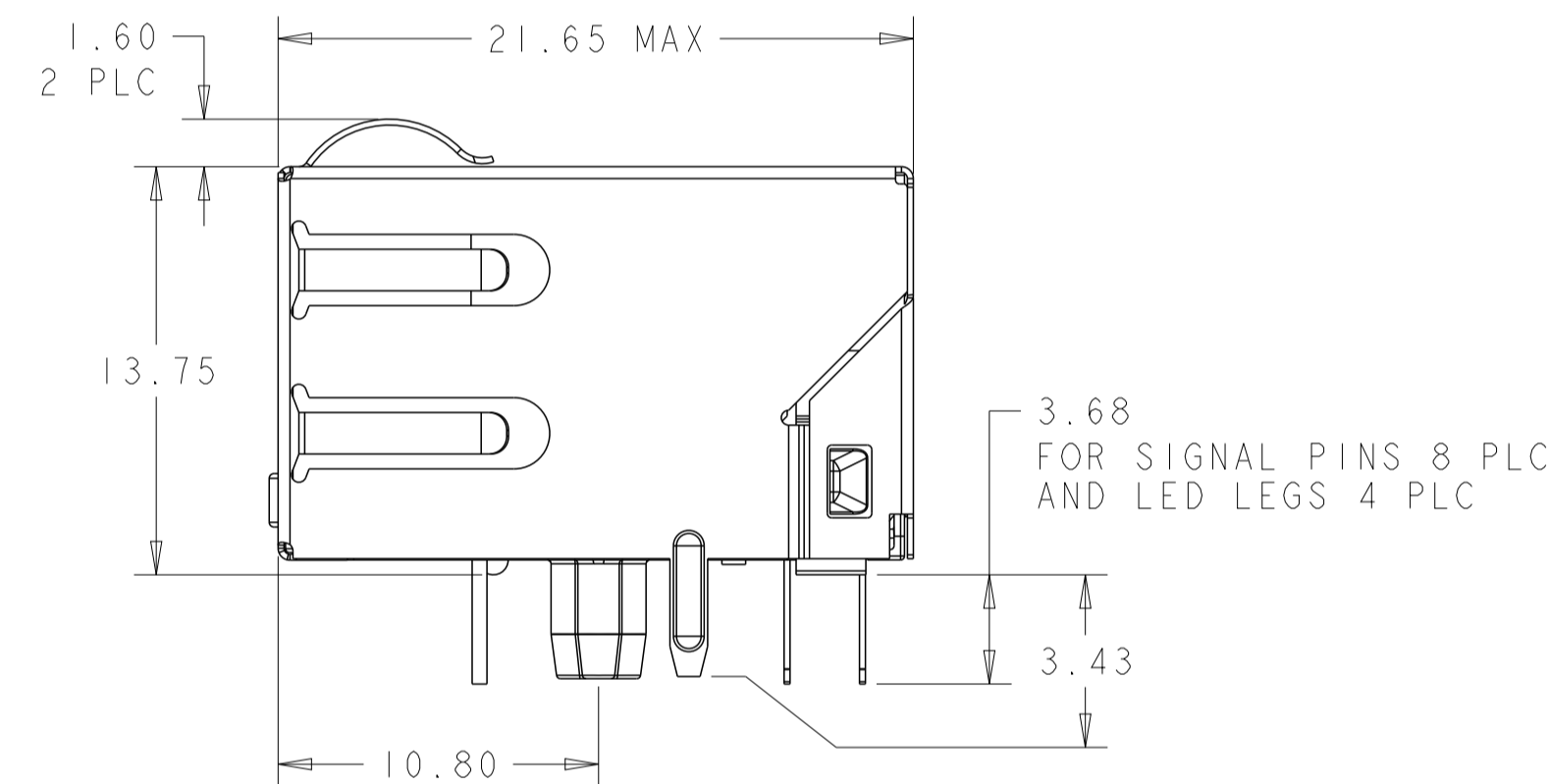
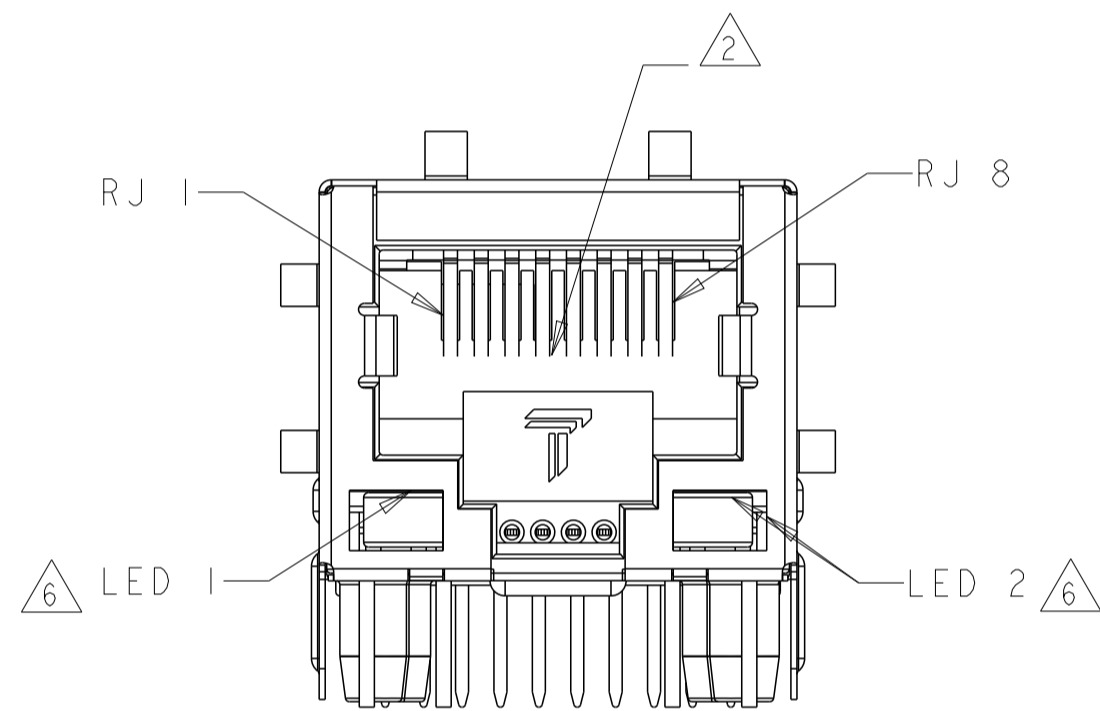
4. OPERATING TEMPERATURE: FROM -40°C TO +85°C.

△ INDICATED MAGNETIC CONNECTIONS ARE SYMMETRICAL TO SUPPORT AUTO-MDI/MDIX.

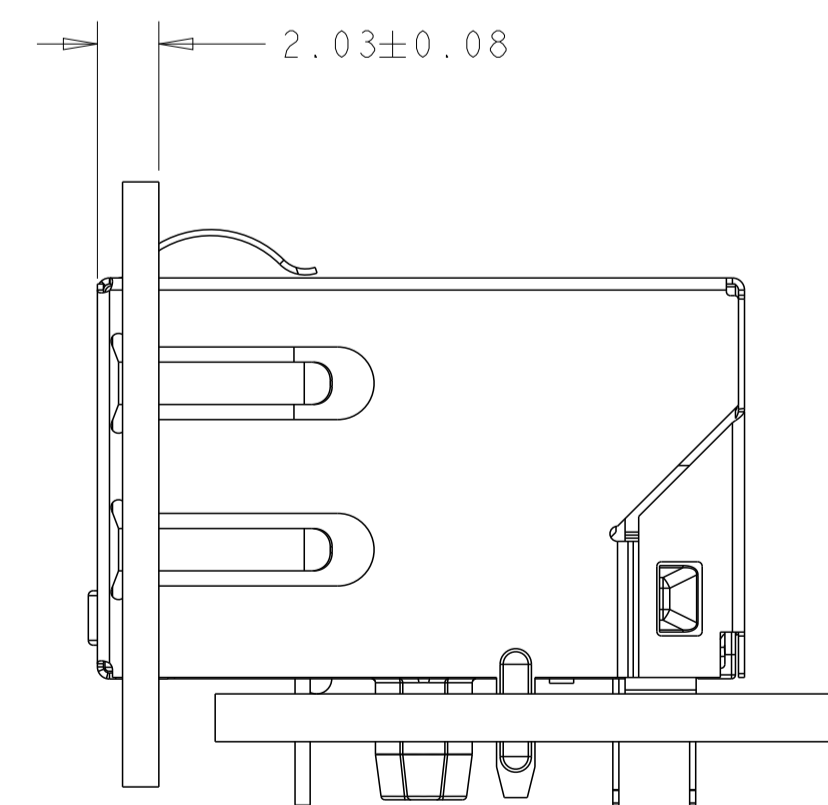
- △ 6. LEDs ARE DRIVEN WITH CONSTANT CURRENT AT APPROX 20mA
- LED COLOR:
- DOMINATE WAVELENGTH (λD): GREEN 568 nm TYP. AT IF = 20mA
 - FORWARD VOLTAGE (VF): GREEN 2.2V TYP. at IF = 20mA
 - DOMINATE WAVELENGTH (λD): YELLOW 588 nm TYP. AT IF = 20mA
 - FORWARD VOLTAGE (VF): YELLOW 2.1V TYP. at IF = 20mA
 - DOMINATE WAVELENGTH (λD): RED 640 nm TYP. AT IF = 20mA
 - FORWARD VOLTAGE (VF): RED 2.2V TYP. at IF = 20mA

△ TRP CONNECTOR LOGO, PART NUMBER, DATE CODE, COUNTRY OF ORIGIN AND AGENCY APPROVAL MARKING IN APPROXIMATE LOCATION SHOWN.

8. THESE PARTS ARE RECOMMENDED FOR WAVE SOLDERING PROCESS. PREHEAT TEMPERATURE IS 120°C TO 160°C, 120 SECONDS TO 180 SECONDS, PEAK WAVE SOLDERING TEMPERATURE IS 260°C MAX, 10 SECONDS MAX.



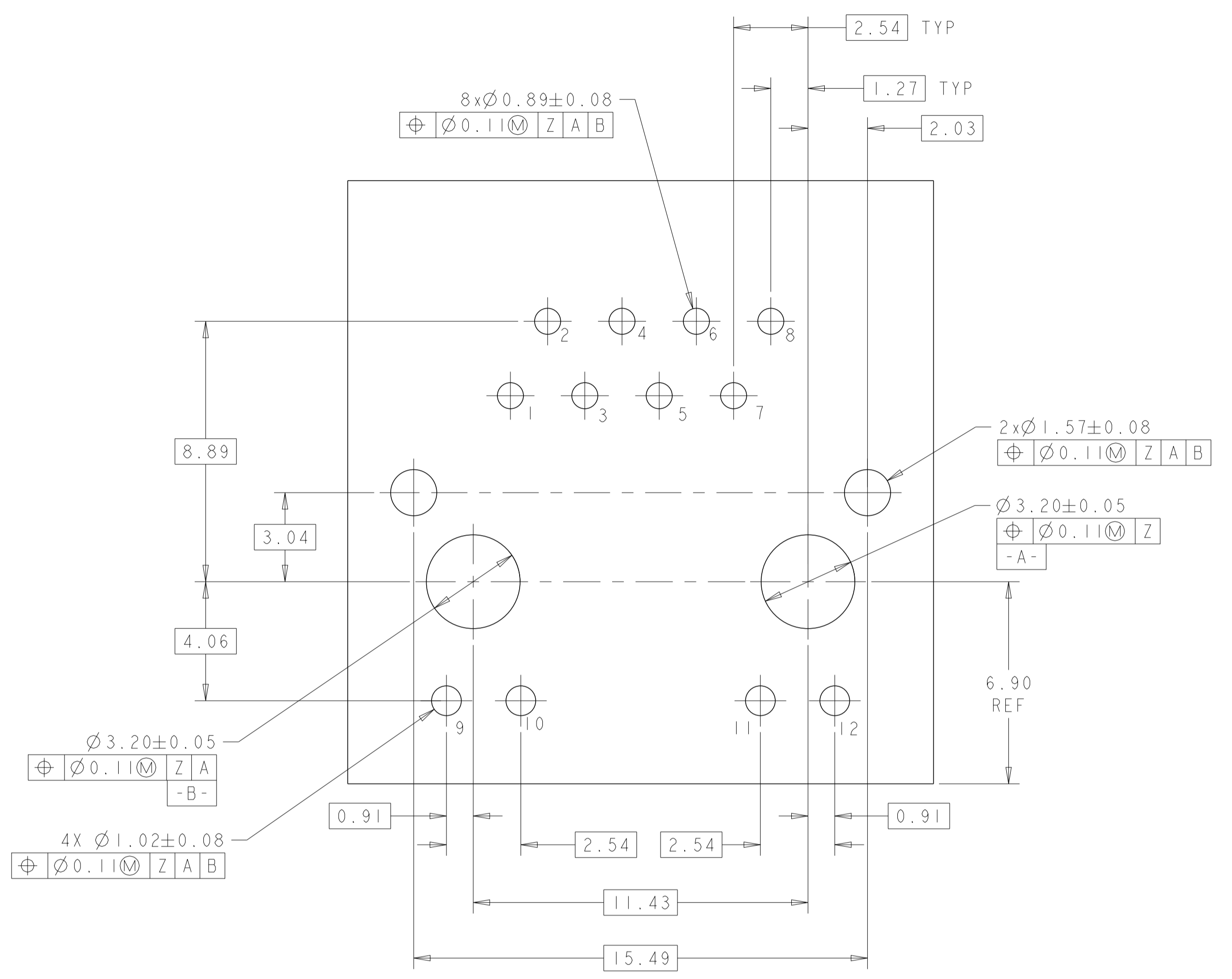
SUGGESTED PANEL OPENING



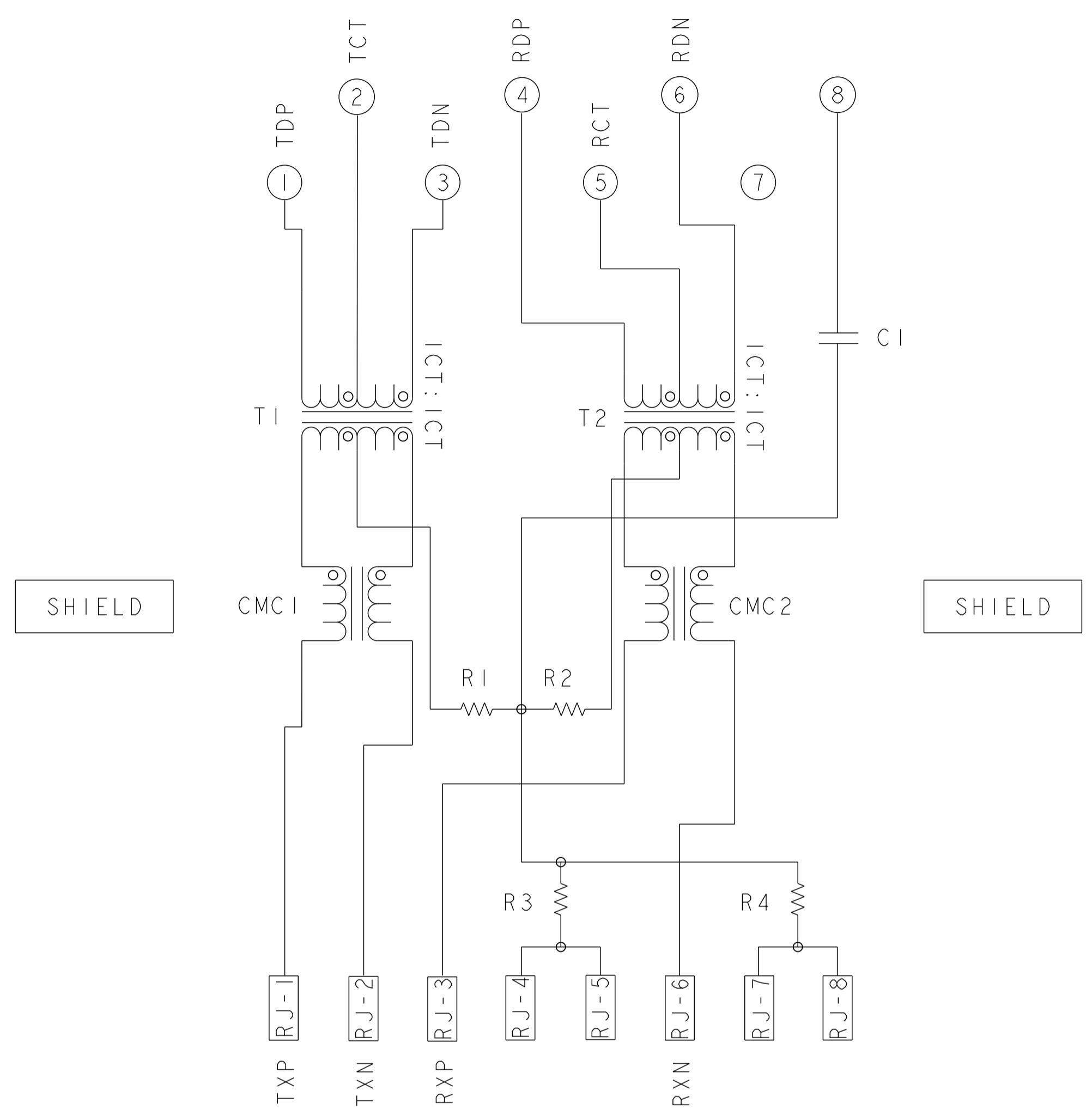
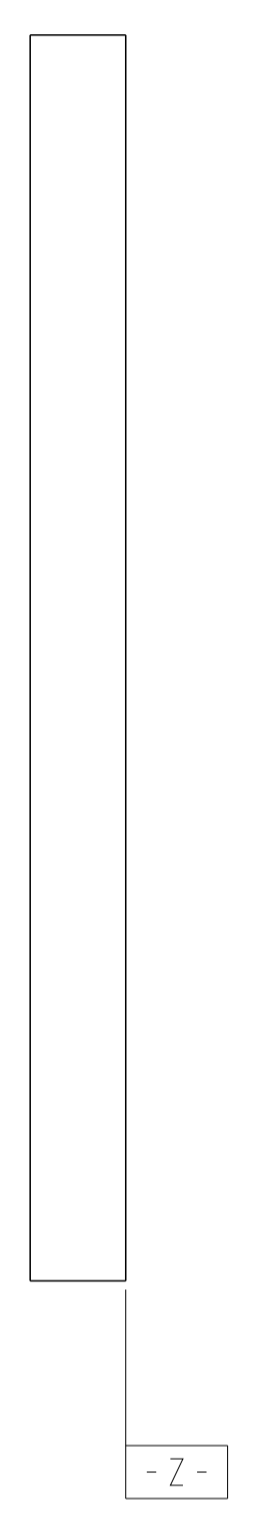
GREEN	YELLOW	GREEN	YELLOW	2250025-2
GREEN	RED	GREEN	RED	2250025-1
9 → 10	10 → 9	11 → 12	12 → 11	PART NUMBER
LED 1		LED 2		

THIS DRAWING IS A CONTROLLED DOCUMENT.		OWN ROY LIU 30MAY2013	 DONGGUAN CHINA
DIMENSIONS:		CHK TOWER YU/FRANK LIU 30MAY2013	
TOLERANCES UNLESS OTHERWISE SPECIFIED:		APVD TONY YUAN 30MAY2013	MODEL NAME
mm			DESC
0 PLC ±0.25			IXI 426PIET 10/100
1 PLC ±0.25			TAB DOWN W/ LED
2 PLC ±0.25			SIZE
3 PLC ±0.25			CAGE CODE
4 PLC ±0.25			DRAWING NO
ANGLES			RESTRICTED TO
APPLICATION SPEC			
PRODUCT SPEC		MAGJACK	
108-104004		SINGLE Non-PoE	
CUSTOMER DRAWING		SCALE	SHEET
		4:1	1 OF 3
			REV 3


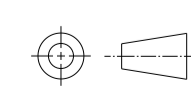
426PIET 10/100 BASE-T CIRCUIT




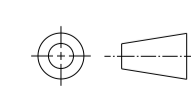
SUGGESTED PCB LAYOUT
 COMPONENT SIDE



C1= 1000pF, 2kV CAPACITOR
 R1-R4= 75 Ohms, RESISTORS

THIS DRAWING IS A CONTROLLED DOCUMENT.		OWN ROY LIU 30MAY2013	 DONGGUAN CHINA
DIMENSIONS: mm		CHK TOWER YU/FRANK LIU 30MAY2013	
		APP'D TONY YUAN 30MAY2013	
TOLERANCES UNLESS OTHERWISE SPECIFIED: 0 PLC ± 0.25 1 PLC ± 0.25 2 PLC ± 0.25 3 PLC ± 0.25 4 PLC \pm ANGLES \pm APPLICATION SPEC \pm		MODEL NAME MAGJACK	DESC 1X1 426PIET 10/100 TAB DOWN W/ LED
PRODUCT SPEC 108-104004		SINGLE Non-PoE	RESTRICTED TO -
		CUSTOMER DRAWING	SCALE 4:1 SHEET 2 OF 3 REV 3

C_2250025						STOCK DISPOSITION			
REVISION HISTORY						A: CONTINUE AS IS	D: USE OLD FIRST		
						B: REWORK	E: PARTS TO CONFORM		
						C: SCRAP	F: OTHER		
DATE	REV	CHANGES	REASON	APPROVAL	INVENTORY (A,B,C,D,E,F)	WORK IN PROCESS (A,B,C,F)	SUPPLIER ORDERS (A,E,F)	OPEN CUST ORDERS (A,E,F)	
30MAY2013	1	-	INITIAL RELEASE	TONY YUAN	-	-	-	-	
05JUN2013	2	ADD DASH NUMBER 2250025-2	MARKET REQUIREMENT	TONY YUAN	-	-	-	-	
13JAN2015	3	EC-1411035 COMPANY LOGO CHANGE	MARKET REUQUIREMENT	TONY YUAN	-	-	-	-	

THIS DRAWING IS A CONTROLLED DOCUMENT.		OWN ROY LIU 30MAY2013	 trp CONNECTOR <small>a bel group</small>	DONGGUAN CHINA		
DIMENSIONS: mm		CHK TOWER YU/FRANK LIU 30MAY2013		DESC IXI 426PIET 10/100 TAB DOWN W/ LED		
		APP'D TONY YUAN 30MAY2013		MODEL NAME MAGJACK	SIZE A1	RESTRICTED TO -
0 PLC ±0.25 1 PLC ±0.25 2 PLC ±0.25 3 PLC ± 4 PLC ± ANGLES ± APPLICATION SPEC ±		PRODUCT SPEC 108-104004	APPLICATION SPEC -	C=2250025	CUSTOMER DRAWING	
			SCALE 4:1	SHEET 3	REV 3	