

PART NO: 2169890001  
2169890011

- NOTE:
- MATERIAL SPECIFICATION:
    - HOUSING: HIGH TEMPERATURE RESISTANT PLASTIC, UL94 V-0.
    - CONTACTS: COPPER ALLOY
    - MIDDLE CLIP: STAINLESS STEEL
    - SHELL: STAINLESS STEEL
    - COVER SHELL: STAINLESS STEEL
  - PLATING:
    - TERMINAL: OVERALL PLATING Ni BASE 50u'~150u'.  
FUNCTIONAL AREA Au PLATING SEE P/N  
SOLDER AREA Au PLATING G/F
    - COVER SHELL: PLATING NICKEL 50u'~200u' ON SOLDERING AREA.
    - MIDDLE CLIP/BACK SHELL: CLEANING
  - PRODUCT SPEC: PS-216990-001
  - PACKAGE SPEC: 2169890001PDDPK1&2169890001PDDPK2
  - PLEASE CONTACT YOUR SALES REPRESENTATIVE IF INTENDED FOR AUTOMOTIVE
    - 2169890001 FOR MANUAL PICKING & PLACE ONLY
    - 2169890002 FOR PIP PROCESS
  - DATE CODE: YY WW D
    - YEAR
    - WEEK
    - DAY

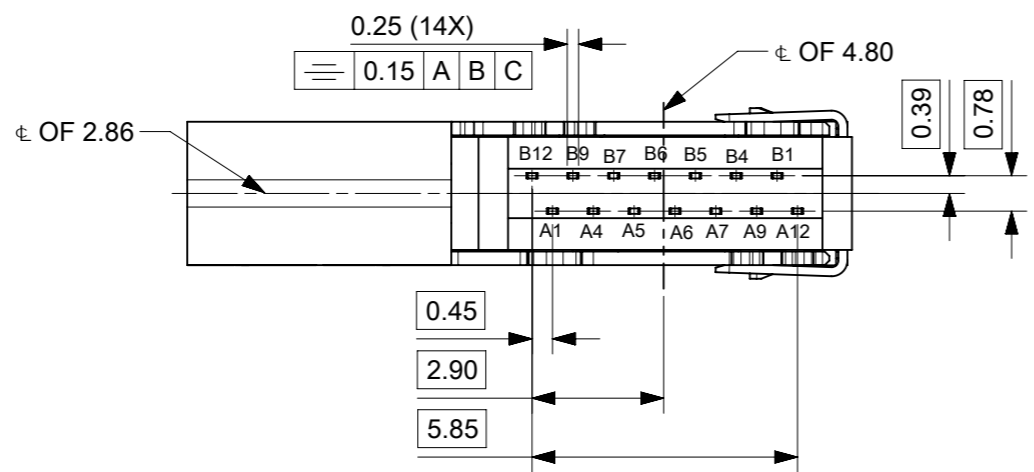
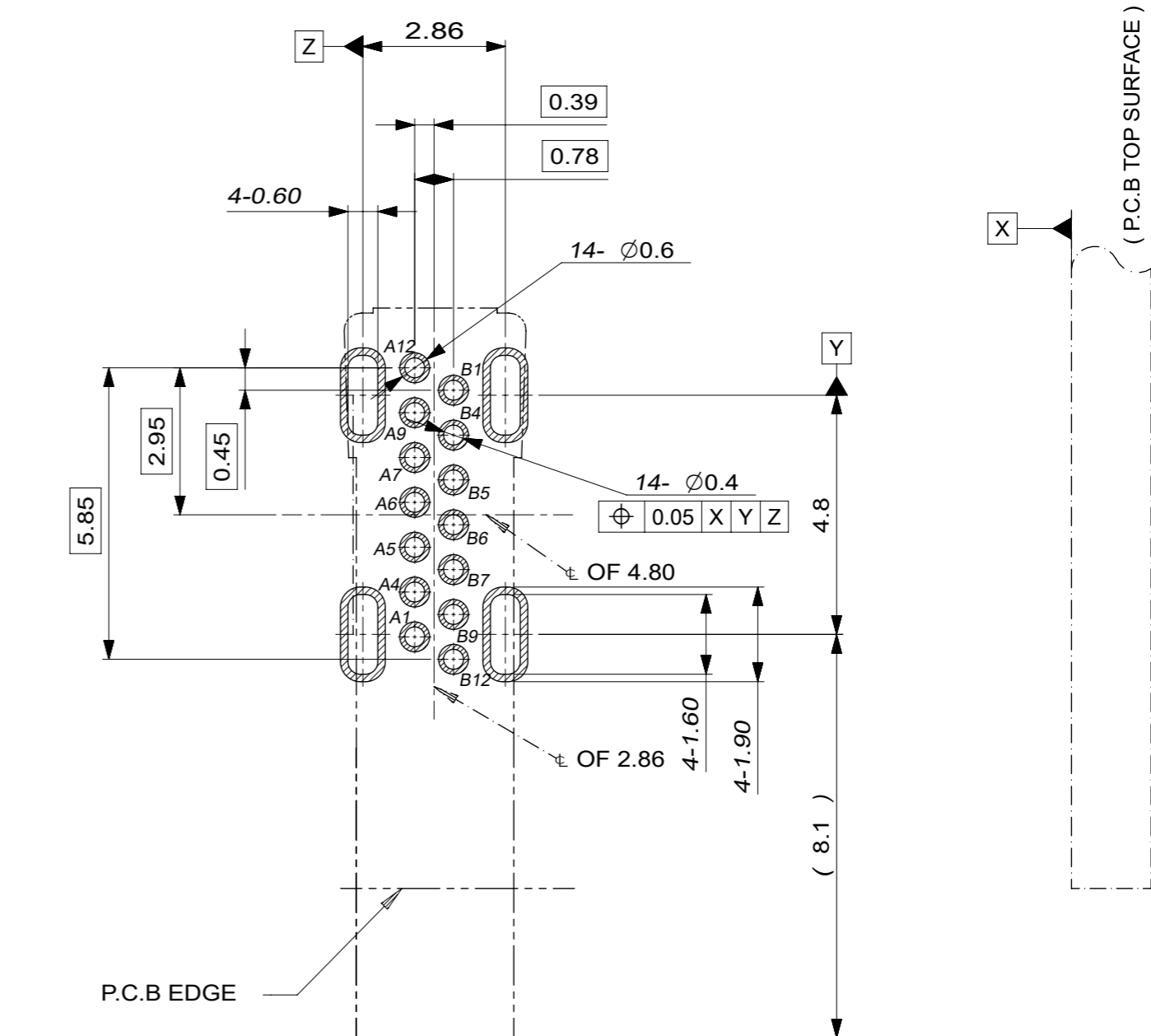
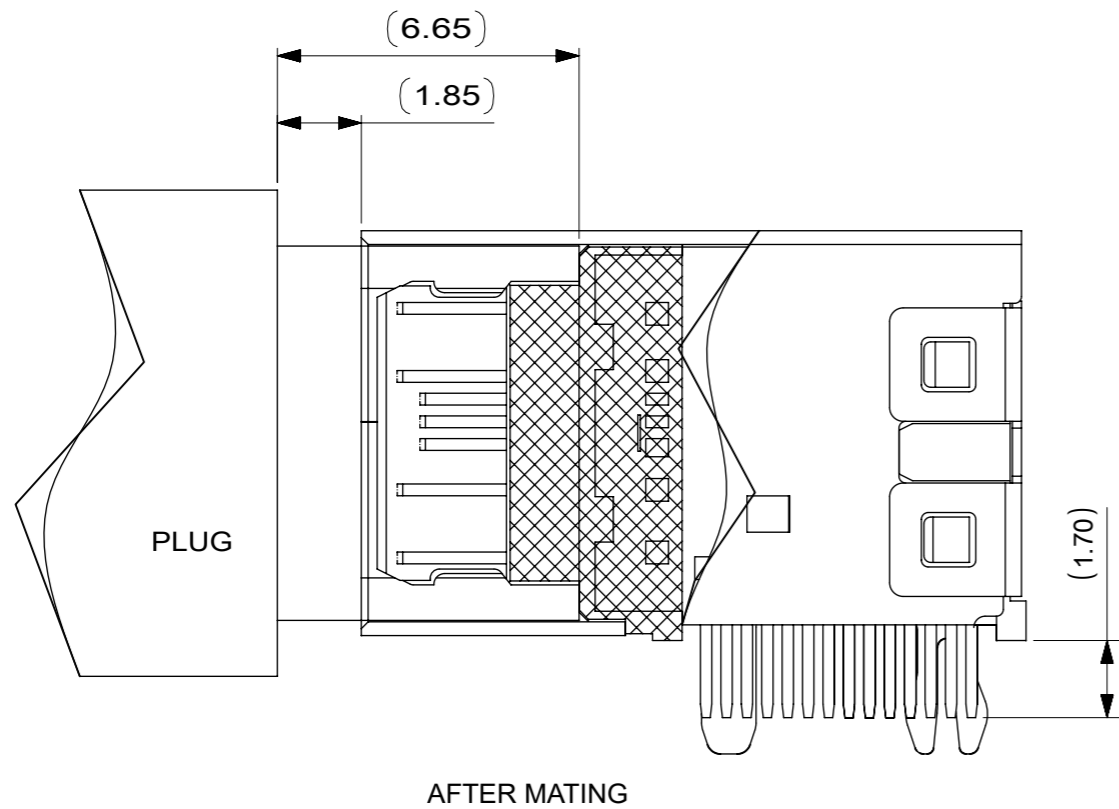


TABLE 1

PART NO.	CONTACT FUNCTIONAL AREA PLATED	SHEET	PACKAGE SPEC	REMARK
2169890001	GOLD FLASH	1 OF 4	2169890001PDDPK1	SEE NOTE 6
2169890011	30u' GOLD PLATING	1 OF 4		

THIS DRAWING CONTAINS INFORMATION THAT IS PROPRIETARY TO MOLEX ELECTRONIC TECHNOLOGIES, LLC AND SHOULD NOT BE USED WITHOUT WRITTEN PERMISSION

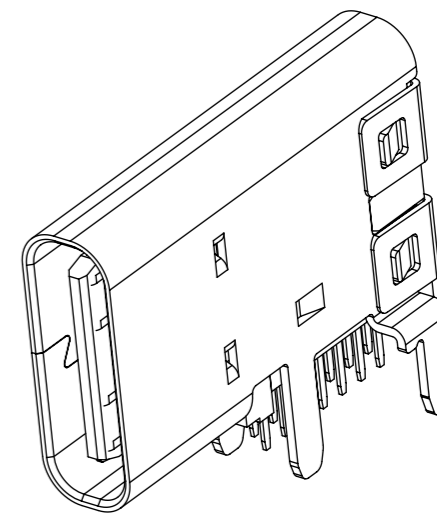
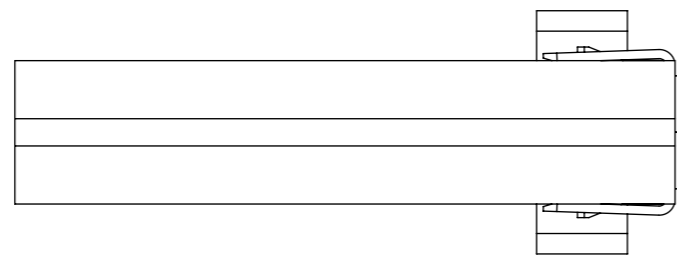
DIMENSION UNITS	SCALE	CURRENT REV DESC: ADD PN OF 2169890011/0002/0022.	<b>molex</b>		
mm	6:1				
GENERAL TOLERANCES (UNLESS SPECIFIED)			USB TYPE C UPRIGHT 14 PIN		
ANGULAR TOL ± 3.0°			PRODUCT CUSTOMER DRAWING		
4 PLACES ±	EC NO: 685678	2021/10/18	DOCUMENT NUMBER		
3 PLACES ±	DRWN: FYANG05	2021/11/19	DOC TYPE DOC PART REVISION		
2 PLACES ±	CHK'D: RL109	2021/11/19	2169890001 PSD 000 B		
1 PLACE ±	APPR: RL109		INITIAL REVISION:		
0 PLACES ±	DRWN: RZHANG	2020/09/29	MATERIAL NUMBER		
	APPR: AYIN	2021/02/05	CUSTOMER		
DRAFT WHERE APPLICABLE MUST REMAIN WITHIN DIMENSIONS	THIRD ANGLE PROJECTION	DRAWING	SERIES	MATERIAL NUMBER	SHEET NUMBER
		A3-SIZE	216989	2169890001	1 OF 4



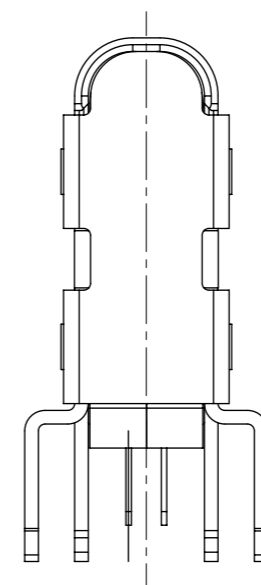
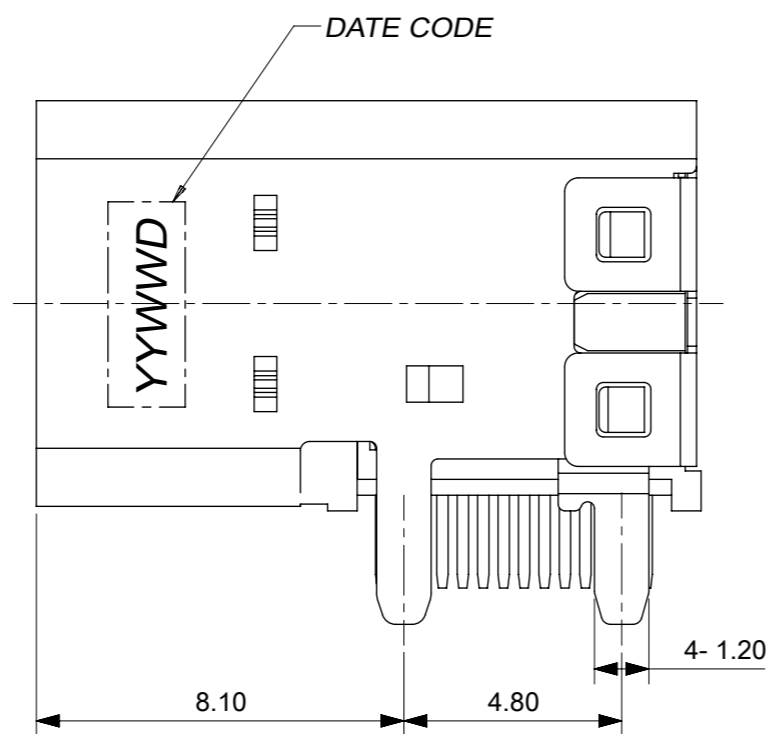
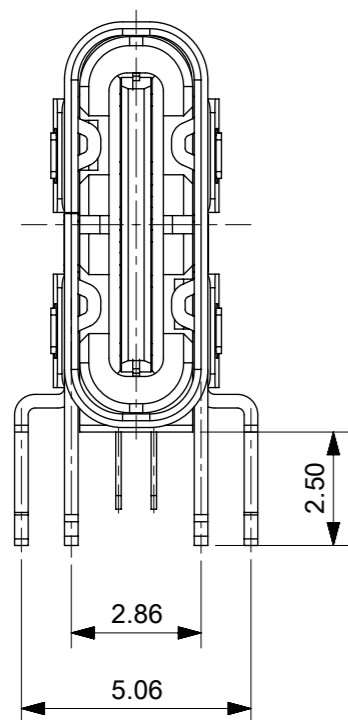
USB TYPE-C PIN ASSIGNMENTS

PIN NUMBER	SIGNAL NAME	PIN NUMBER	SIGNAL NAME
A1	GND	B12	GND
A4	VBUS	B9	VBUS
A5	CC1		
A6	Dp1	B7	Dn2
A7	Dn1	B6	Dp2
		B5	CC2
A9	VBUS	B4	VBUS
A12	GND	B1	GND

THIS DRAWING CONTAINS INFORMATION THAT IS PROPRIETARY TO MOLEX ELECTRONIC TECHNOLOGIES, LLC AND SHOULD NOT BE USED WITHOUT WRITTEN PERMISSION																
DIMENSION UNITS		SCALE		CURRENT REV DESC: ADD PN OF 2169890011/0002/0022.						<b>molex</b>						
mm		1:1														
GENERAL TOLERANCES (UNLESS SPECIFIED)																
ANGULAR TOL ± 3.0°																
4 PLACES ±																
3 PLACES ± 0.1																
2 PLACES ± 0.2																
1 PLACE ± 0.3																
0 PLACES ±																
DRAFT WHERE APPLICABLE MUST REMAIN WITHIN DIMENSIONS																
THIRD ANGLE PROJECTION			DRAWING			SERIES			MATERIAL NUMBER			CUSTOMER			SHEET NUMBER	
			A3-SIZE			216989			2169890001			PSD 000 B			2 OF 4	



PART NO:2169890002  
2169890022

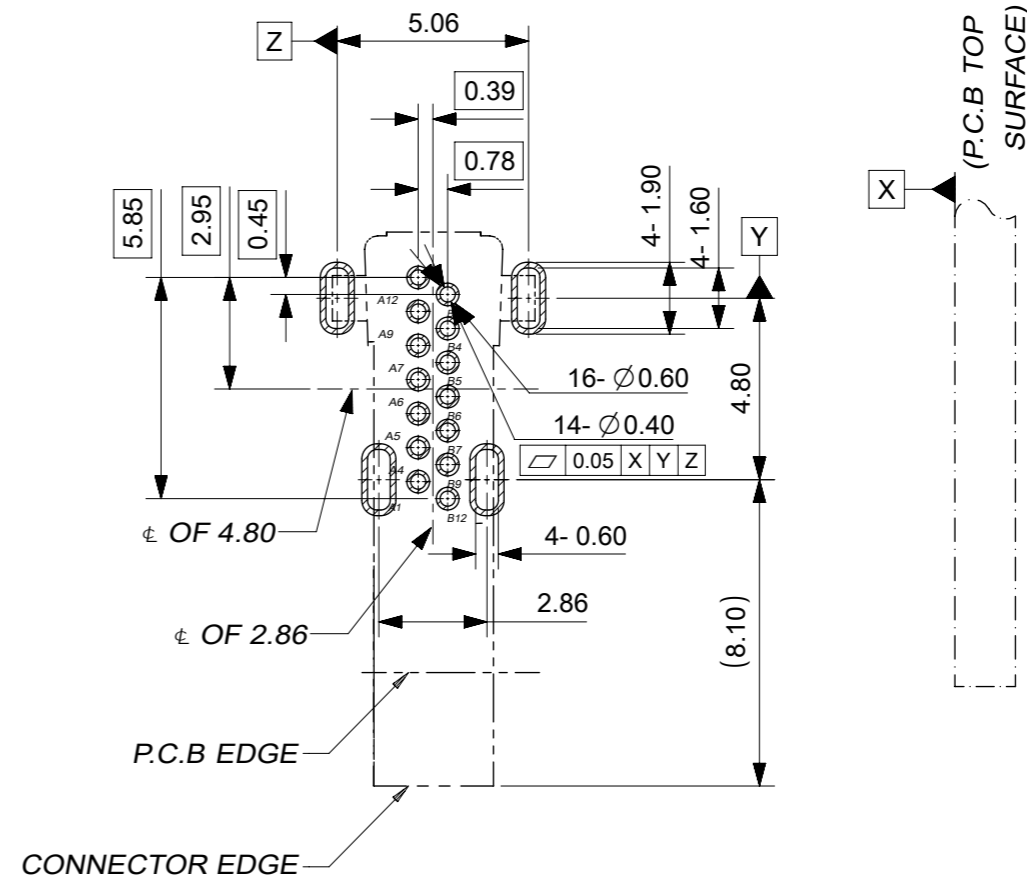
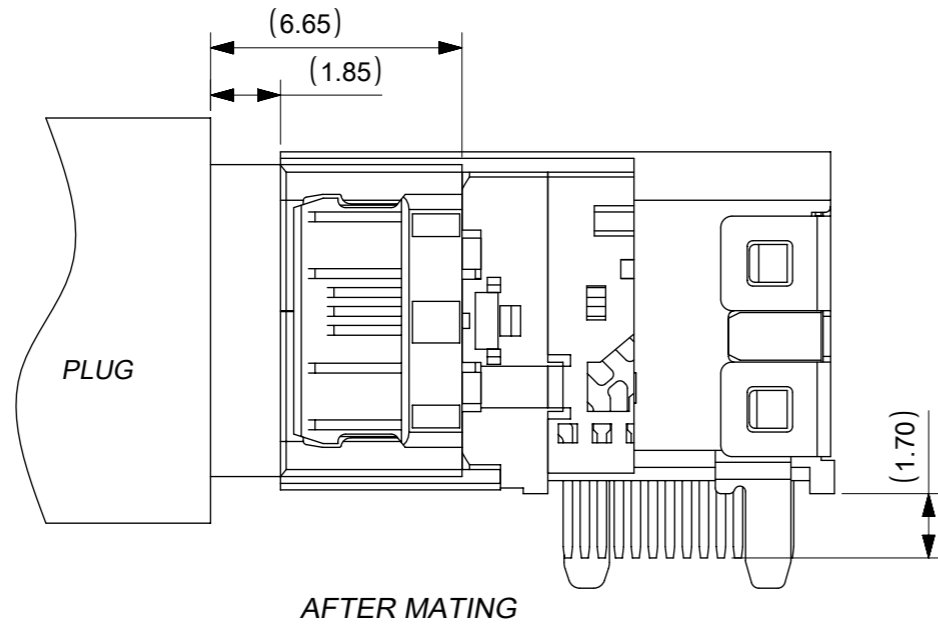


NOTES:  
UNSPECIFIED DIMENSIONS FOLLOW 2169890001 IN SHEET 1 OF 4.

TABLE 2

PART NO.	CONTACT FUNCTIONAL ARER PLATED	SHEET	PACKAGE SPEC	REMARK
2169890002	GOLD FLASH	3 OF 4	2169890002PDDPK1	SEE NOTE 7
2169890022	30u' GOLD PLATING	3 OF 4		

THIS DRAWING CONTAINS INFORMATION THAT IS PROPRIETARY TO MOLEX ELECTRONIC TECHNOLOGIES, LLC AND SHOULD NOT BE USED WITHOUT WRITTEN PERMISSION										
DIMENSION UNITS <b>mm</b>		SCALE <b>1:1</b>		CURRENT REV DESC: ADD PN OF 2169890011/0002/0022.			<b>molex</b>			
GENERAL TOLERANCES (UNLESS SPECIFIED)										USB TYPE C UPRIGHT 14 PIN
		MM		INCH		EC NO: 685678			2021/10/18	
4 PLACES		±		±		DRWN: FYANG05			2021/11/19	
3 PLACES		± 0.1		±		CHK'D: RLI09			2021/11/19	
2 PLACES		± 0.2		±		APPR: RLI09			2021/11/19	
1 PLACE		± 0.3		±		INITIAL REVISION:				
0 PLACES		±		±		DRWN: DRAWN BY			0099/99/99	
ANGULAR TOL		± 3.0°				APPR: APPR BY			0099/99/99	
DRAFT WHERE APPLICABLE MUST REMAIN WITHIN DIMENSIONS				THIRD ANGLE PROJECTION		DRAWING	SERIES	MATERIAL NUMBER	CUSTOMER	SHEET NUMBER
						A3-SIZE	216989	2169890001	PSD 000	B



USB TYPE-C PIN ASSIGNMENTS

PIN NUMBER	SIGNAL NAME	PIN NUMBER	SIGNAL NAME
A1	GND	B12	GND
A4	VBUS	B9	VBUS
A5	CC1		
A6	Dp1	B7	Dn2
A7	Dn1	B6	Dp2
		B5	CC2
A9	VBUS	B4	VBUS
A12	GND	B1	GND

RECOMMENDED PCB LAYOUT(TOP VIEW)

THICKNESS IS 1.40, DEFAULT TOLERANCE: ±0.05  
FOR PART NO: 216989 0002/0022

FUNCTIONAL SYMBOLS	THIS DRAWING CONTAINS INFORMATION THAT IS PROPRIETARY TO MOLEX ELECTRONIC TECHNOLOGIES, LLC AND SHOULD NOT BE USED WITHOUT WRITTEN PERMISSION			
	DIMENSION UNITS: mm SCALE: 1:1 CURRENT REV DESC: ADD PN OF 2169890011/0002/0022.			USB TYPE C UPRIGHT 14 PIN
DIVISIONAL SYMBOLS	GENERAL TOLERANCES (UNLESS SPECIFIED) 4 PLACES ± 0.2 3 PLACES ± 0.1 2 PLACES ± 0.2 1 PLACE ± 0.3 ANGULAR TOL ± 3.0°	EC NO: 685678 DRWN: FYANG05 CHK'D: RLI09 APPR: RLI09	2021/10/18 2021/11/19 2021/11/19	PRODUCT CUSTOMER DRAWING
	DRAFT WHERE APPLICABLE MUST REMAIN WITHIN DIMENSIONS	INITIAL REVISION: DRWN: DRAWN BY APPR: APPR BY	0099/99/99 0099/99/99	DOCUMENT NUMBER: 2169890001 DOC TYPE: PSD DOC PART: 000 REVISION: B
THIRD ANGLE PROJECTION		DRAWING: A3-SIZE	SERIES: 216989	MATERIAL NUMBER: _____ CUSTOMER: _____ SHEET NUMBER: 4 OF 4