

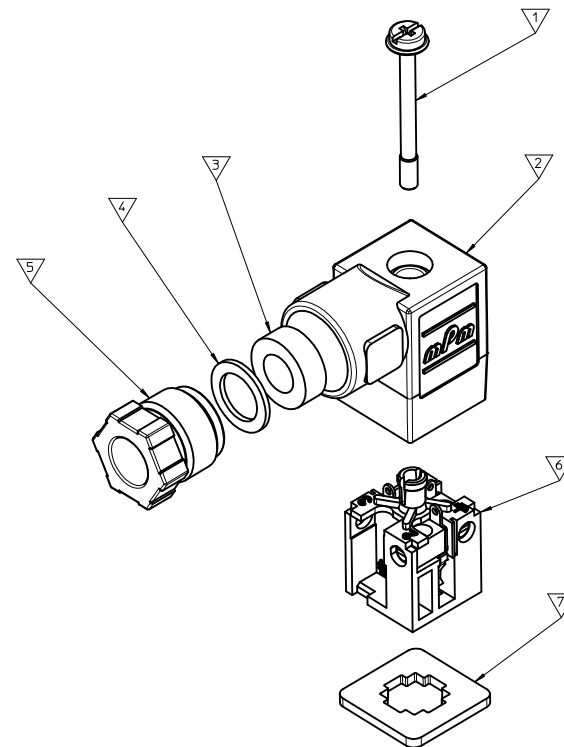
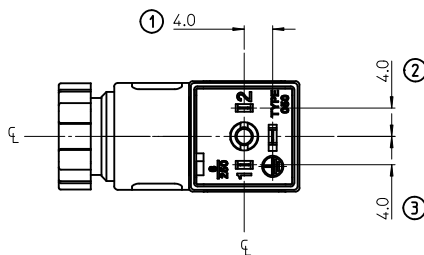
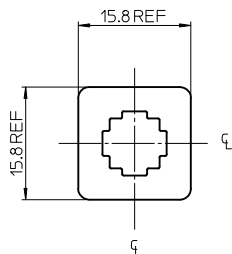
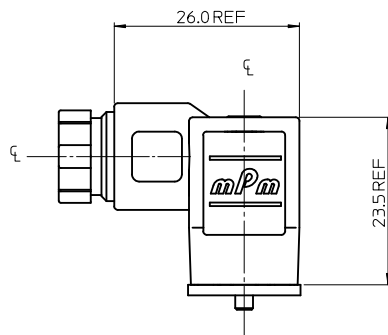
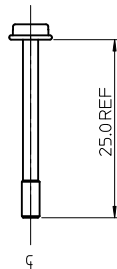
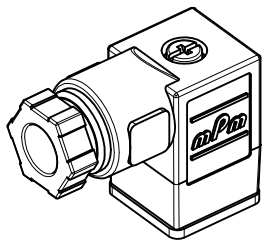
NOTES:

1. THREAD SIZE: PG7
2. LOGO: MPM
3. EARTH POSITION: H12
4. PACKAGING: FESTO PACK SEE RPK-121178-001

LAST INSPECTION NUMBER 3

ITEM	DESCRIPTION
1	25mm M2.5 SCREW
2	TRANSPARENT COVER PG7
3	PG7 GROMMET NBR
4	METAL WASHER
5	PG7 NUT BLACK
6	2P INSERT BLACK WITH CIRCUIT
7	NBR FLAT GASKET

ORIGINAL RELEASE EC NO: WEU2011-0147 CHKD: DMAHER.WEU 2010/09/28 APPR: EFOLAN 2010/10/18 REV: A	QUALITY SYMBOLS	GENERAL TOLERANCES (UNLESS SPECIFIED)	DIMENSION STYLE	SCALE	DESIGN UNITS	THIRD ANGLE PROJECTION																																										
	$\nabla=0$ $\nabla=0$	<table border="1"> <thead> <tr> <th></th> <th>mm</th> <th>INCH</th> </tr> </thead> <tbody> <tr> <td>4 PLACES</td> <td>±---</td> <td>±---</td> </tr> <tr> <td>3 PLACES</td> <td>±---</td> <td>±---</td> </tr> <tr> <td>2 PLACES</td> <td>±0.1</td> <td>±---</td> </tr> <tr> <td>1 PLACE</td> <td>±0.2</td> <td>±---</td> </tr> <tr> <td colspan="2">ANGULAR</td> <td>±---</td> </tr> </tbody> </table>		mm	INCH	4 PLACES	±---	±---	3 PLACES	±---	±---	2 PLACES	±0.1	±---	1 PLACE	±0.2	±---	ANGULAR		±---	<table border="1"> <thead> <tr> <th colspan="2">MM ONLY</th> </tr> <tr> <th>DRAWN BY</th> <th>DATE</th> </tr> </thead> <tbody> <tr> <td>DMAHER.WEU</td> <td>2010/09/28</td> </tr> <tr> <th colspan="2">TITLE</th> </tr> <tr> <td colspan="2">S05207TC322-EV</td> </tr> <tr> <td colspan="2">S052 FESTO SPECIAL</td> </tr> <tr> <th colspan="2">CHECKED BY</th> </tr> <tr> <td colspan="2">M SHANAHAN</td> </tr> <tr> <th colspan="2">APPROVED BY</th> </tr> <tr> <td colspan="2">EFOLAN</td> </tr> <tr> <th colspan="2">DATE</th> </tr> <tr> <td colspan="2">2010/10/18</td> </tr> </tbody> </table>	MM ONLY		DRAWN BY	DATE	DMAHER.WEU	2010/09/28	TITLE		S05207TC322-EV		S052 FESTO SPECIAL		CHECKED BY		M SHANAHAN		APPROVED BY		EFOLAN		DATE		2010/10/18		2:1	METRIC	
		mm	INCH																																													
	4 PLACES	±---	±---																																													
3 PLACES	±---	±---																																														
2 PLACES	±0.1	±---																																														
1 PLACE	±0.2	±---																																														
ANGULAR		±---																																														
MM ONLY																																																
DRAWN BY	DATE																																															
DMAHER.WEU	2010/09/28																																															
TITLE																																																
S05207TC322-EV																																																
S052 FESTO SPECIAL																																																
CHECKED BY																																																
M SHANAHAN																																																
APPROVED BY																																																
EFOLAN																																																
DATE																																																
2010/10/18																																																
DRAFT WHERE APPLICABLE MUST REMAIN WITHIN DIMENSIONS			MATERIAL NO. <b>1211780027</b>	DOCUMENT NO. <b>SD-121178-027</b>	MOLEX INCORPORATED																																											
			SIZE	THIS DRAWING CONTAINS INFORMATION THAT IS PROPRIETARY TO MOLEX INCORPORATED AND SHOULD NOT BE USED WITHOUT WRITTEN PERMISSION																																												



NOTES:

1. THREAD SIZE: PG7
2. LOGO: MPM
3. EARTH POSITION: H12
4. PACKAGING: FESTO PACK SEE RPK-121178-001

LAST INSPECTION NUMBER 3

ITEM	DESCRIPTION
1	25mm M2.5 SCREW
2	TRANSPARENT COVER PG7
3	PG7 GROMMET NBR
4	METAL WASHER
5	PG7 NUT BLACK
6	2P INSERT BLACK WITH CIRCUIT
7	NBR FLAT GASKET

<b>ORIGINAL RELEASE</b> EC NO: WEU2011-0147 DRAWN:DMAHER.WEU 2010/09/28 CHKD: CHIKD: APPR:EFOLAN 2010/10/18 REV A	QUALITY SYMBOLS ▽=0 ▽=0	GENERAL TOLERANCES (UNLESS SPECIFIED) <table border="1"> <thead> <tr> <th></th> <th>mm</th> <th>INCH</th> </tr> </thead> <tbody> <tr> <td>4 PLACES</td> <td>±.005</td> <td>±.0002</td> </tr> <tr> <td>3 PLACES</td> <td>±.002</td> <td>±.0001</td> </tr> <tr> <td>2 PLACES</td> <td>±0.1</td> <td>±.004</td> </tr> <tr> <td>1 PLACE</td> <td>±0.2</td> <td>±.008</td> </tr> <tr> <td colspan="3">ANGULAR ±.005</td> </tr> </tbody> </table>		mm	INCH	4 PLACES	±.005	±.0002	3 PLACES	±.002	±.0001	2 PLACES	±0.1	±.004	1 PLACE	±0.2	±.008	ANGULAR ±.005			DIMENSION STYLE <b>MM ONLY</b>	SCALE <b>2:1</b>	DESIGN UNITS <b>METRIC</b>	THIRD ANGLE PROJECTION
		mm	INCH																					
	4 PLACES	±.005	±.0002																					
	3 PLACES	±.002	±.0001																					
2 PLACES	±0.1	±.004																						
1 PLACE	±0.2	±.008																						
ANGULAR ±.005																								
DRAWN BY DMAHER.WEU	DATE 2010/09/28	TITLE <b>S05207TC322-EV          S052 FESTO SPECIAL</b>																						
CHECKED BY M SHANAHAN	DATE	APPROVED BY EFOLAN																						
DATE 2010/10/18	MATERIAL NO. <b>1211780027</b>	DOCUMENT NO. <b>SD-121178-027</b>	SHEET NO. <b>1 OF 1</b>																					

DRAFT WHERE APPLICABLE  
MUST REMAIN  
WITHIN DIMENSIONS

THIS DRAWING CONTAINS INFORMATION THAT IS PROPRIETARY TO MOLEX INCORPORATED AND SHOULD NOT BE USED WITHOUT WRITTEN PERMISSION