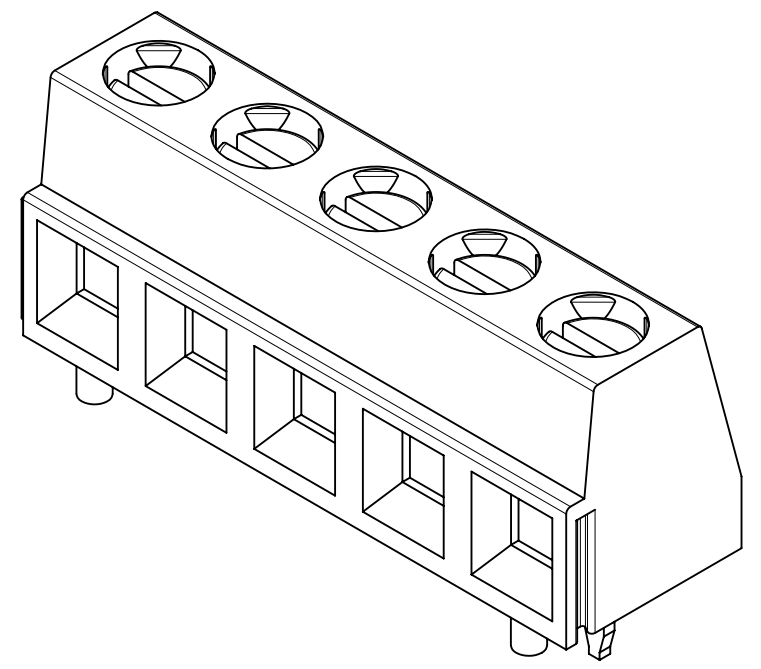
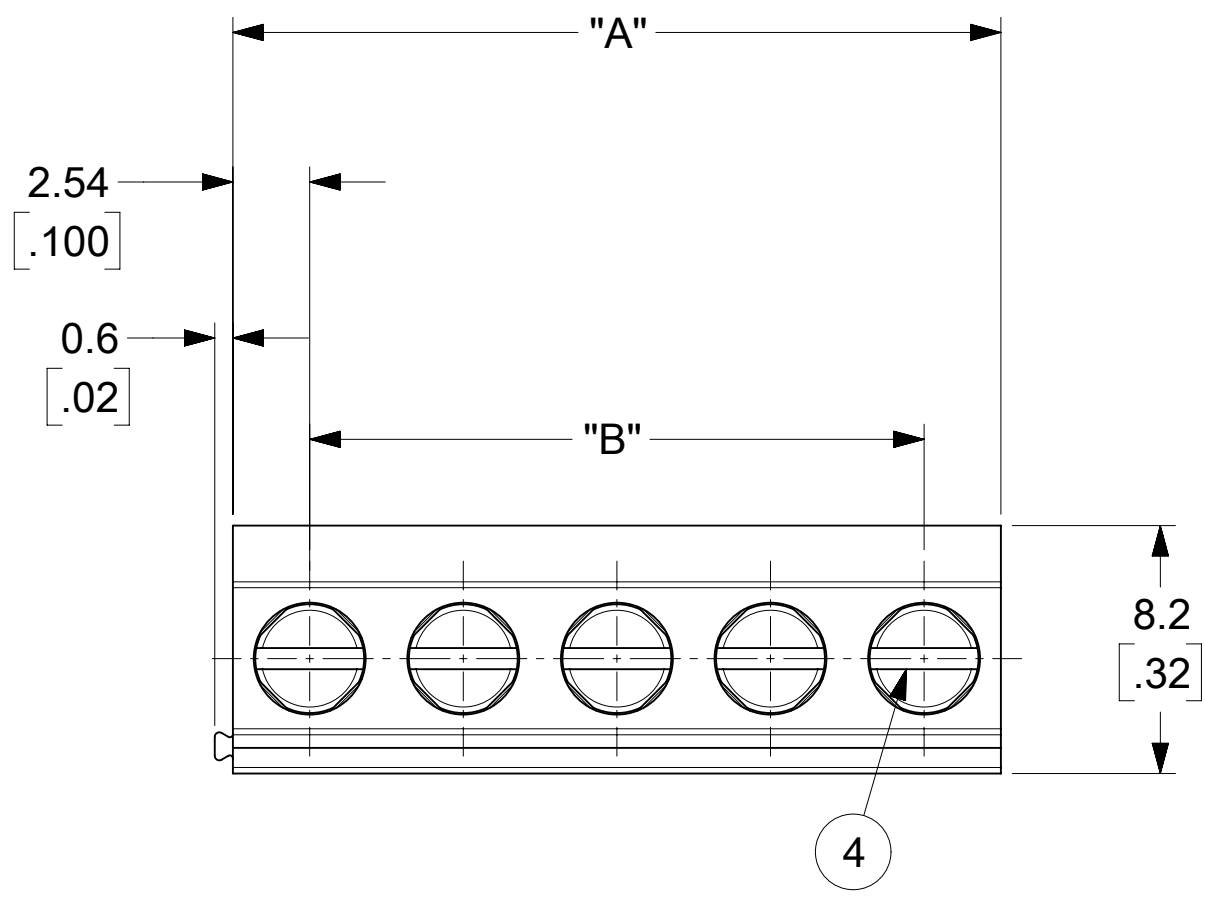
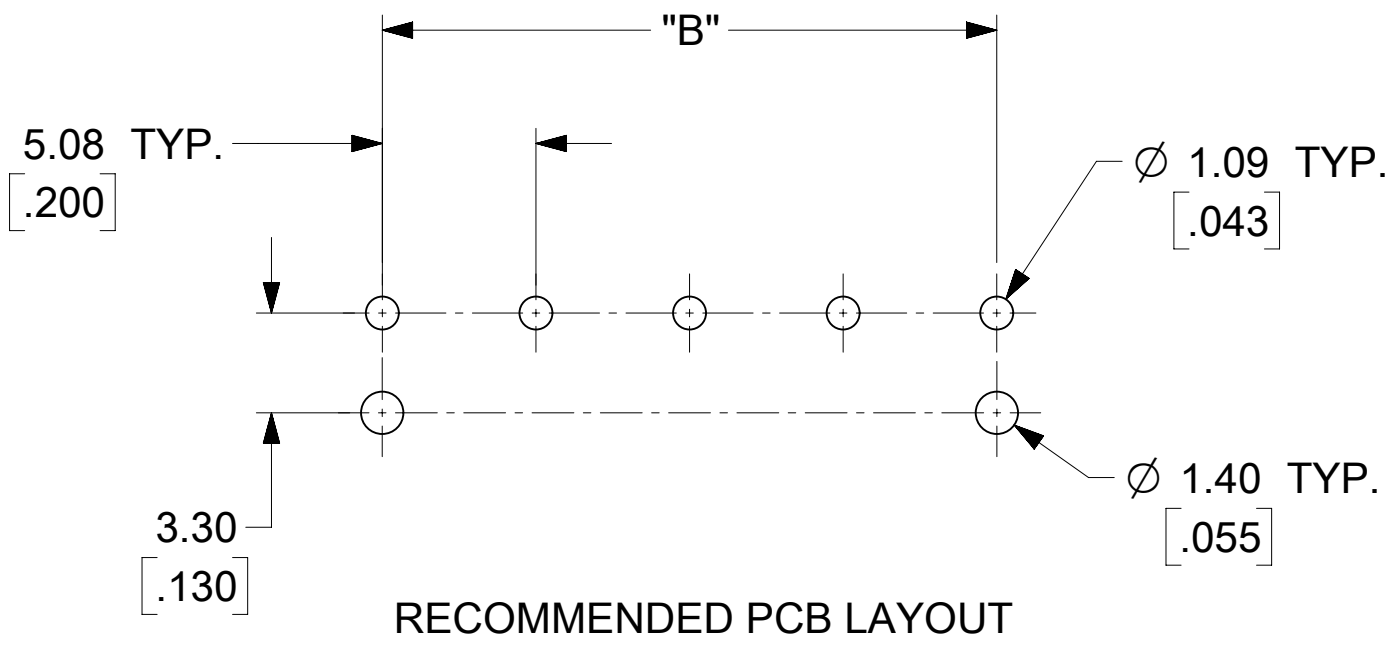
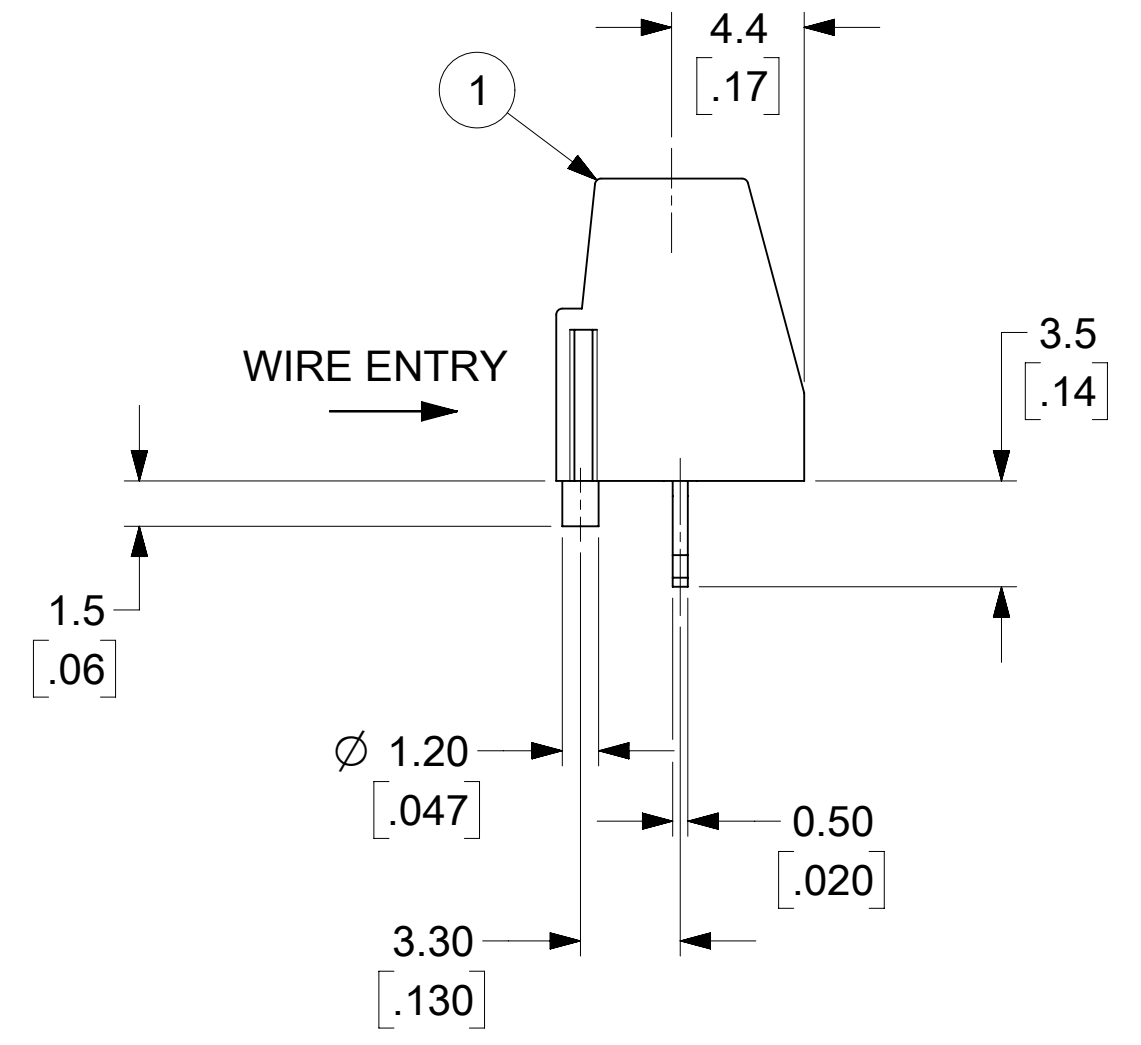
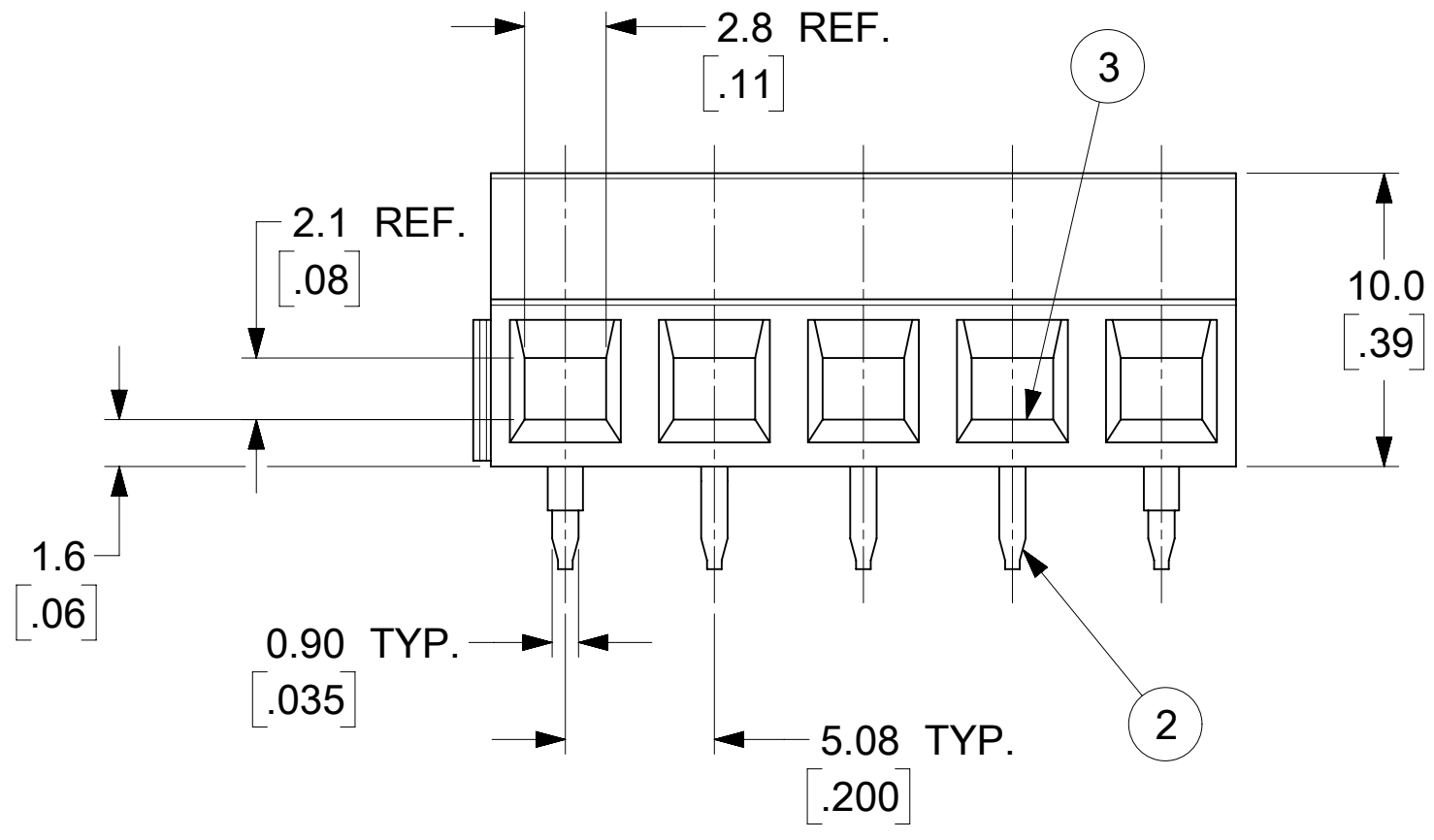


NO. OF CIRC. "XX"	DIM. "A"		DIM. "B"		MATERIAL NUMBER
	mm	IN	mm	IN	
02	10.2	.40	5.08	.200	398890042
03	15.2	.60	10.16	.400	
04	20.3	.80	15.24	.600	
05	25.4	1.00	20.32	.800	398890043
06	30.5	1.20	25.40	1.000	398890044



AUX. VIEWS  
(5 CIRCUIT SHOWN)

- NOTES:
1. MATERIAL: SEE TABLE
  2. FINISHES: SEE TABLE
  3. "XX" REFERS TO QUANTITY OF CIRCUITS.
  4. WIRE RANGE: 16-30 AWG (A1)
  5. RATED VOLTAGE: 300V PER UL (A1)
  6. RATED CURRENT: 13.5A PER UL (A1)
  7. RECOMMENDED TIGHTENING TORQUE: 6.0 LB. IN. (A1)
  8. WIRE STRIP LENGTH: 6mm(.24in)
  9. OPERATING TEMPERATURE: -40°C TO +105°C
  10. POLARIZING PEGS ARE ONLY ON END CIRCUITS.



ITEM	QTY.	DESCRIPTION	MATERIAL	FINISH
4	XX	SCREW, M3	COPPER ALLOY	NICKEL PLATED
3	XX	CLAMP, RISING	COPPER ALLOY	NICKEL PLATED
2	XX	TERMINAL	COPPER ALLOY	TIN PLATED
1	1	HOUSING, UL94 V-0	PA66	BLACK

FUNCTIONAL SYMBOLS FA = 0 FC = 0 FP = 0 DIVISIONAL SYMBOLS	THIS DRAWING CONTAINS INFORMATION THAT IS PROPRIETARY TO MOLEX ELECTRONIC TECHNOLOGIES, LLC AND SHOULD NOT BE USED WITHOUT WRITTEN PERMISSION		CURRENT REV DESC: MODIFIED NOTES #4 TO #7	
	DIMENSION UNITS	SCALE	EC NO: 706702	
	MM/INCH	4:1	DRWN: ABENJAMINLW	2022/04/27
	GENERAL TOLERANCES (UNLESS SPECIFIED)		CHK'D: DACHAMMER	2022/05/12
		MM	INCH	APPR: JFMURPHY
4 PLACES ± --- ± ---		± 0.13	± .01	2022/05/13
3 PLACES ± --- ± .005				INITIAL REVISION:
2 PLACES ± 0.25 ± ---				DRWN: CLYORK
1 PLACE ± --- ± ---				2008/03/28
0 PLACES ± --- ± ---				2008/04/18
ANGULAR TOL ± 2°		THIRD ANGLE PROJECTION		DRAWING
DRAFT WHERE APPLICABLE MUST REMAIN WITHIN DIMENSIONS		DRAWING		SERIES
		C-SIZE		39889

**molex**

5.08MM [.200] FIXED, EUROSTYLE, W/POLARIZING PEGS

PRODUCT CUSTOMER DRAWING

DOCUMENT NUMBER: SD-39889-003  
DOC TYPE: PSD  
DOC PART: 001  
REVISION: A1

MATERIAL NUMBER: SEE CHART  
CUSTOMER: GENERAL MARKET  
SHEET NUMBER: 1 OF 1