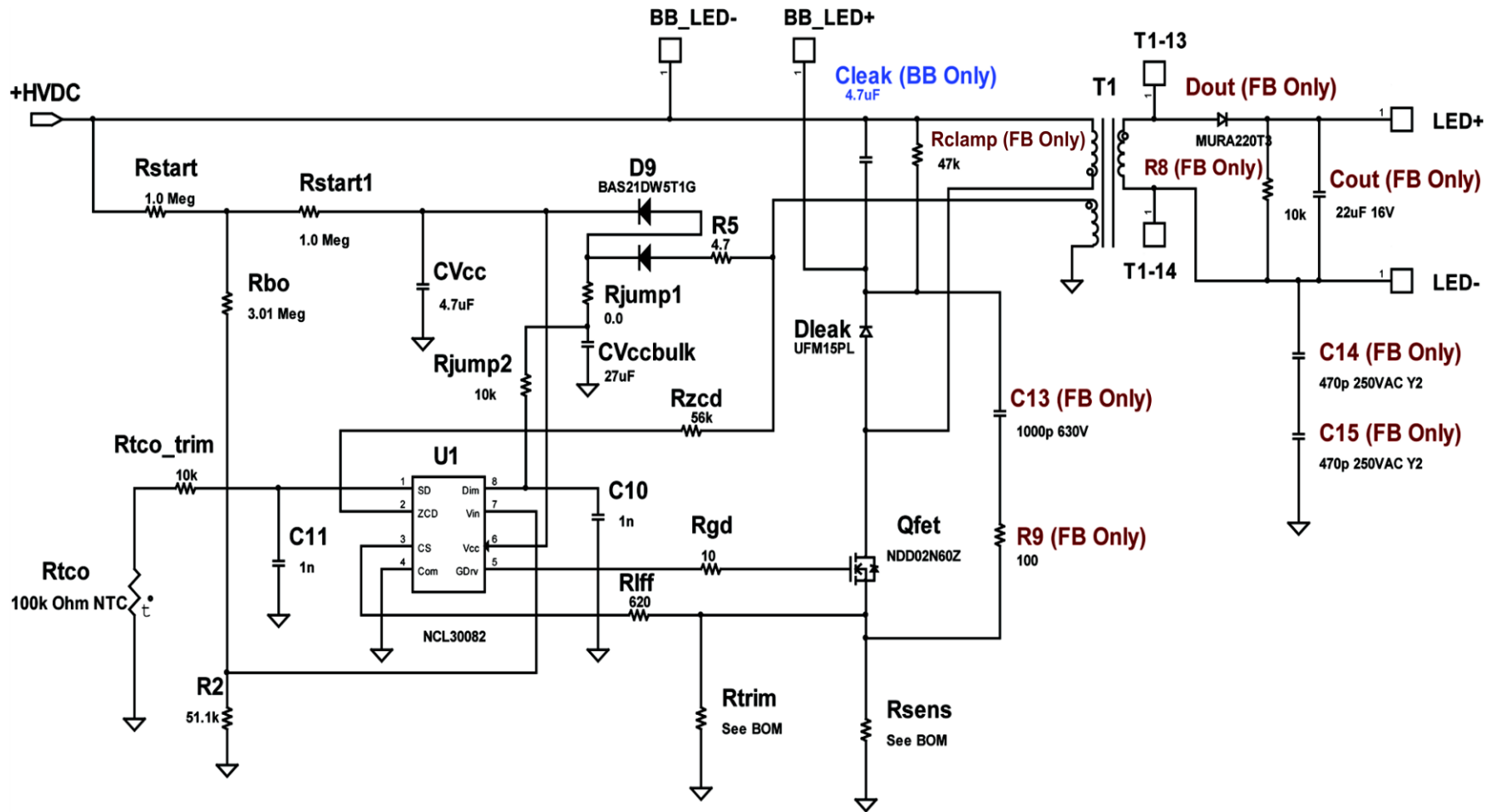


Schematic for the NCL30083FLYGEVB Evaluation Board



NOTE: Components labeled **FB** are only populated for the flyback version and components labeled **BB** are only required for the Buck-boost configuration