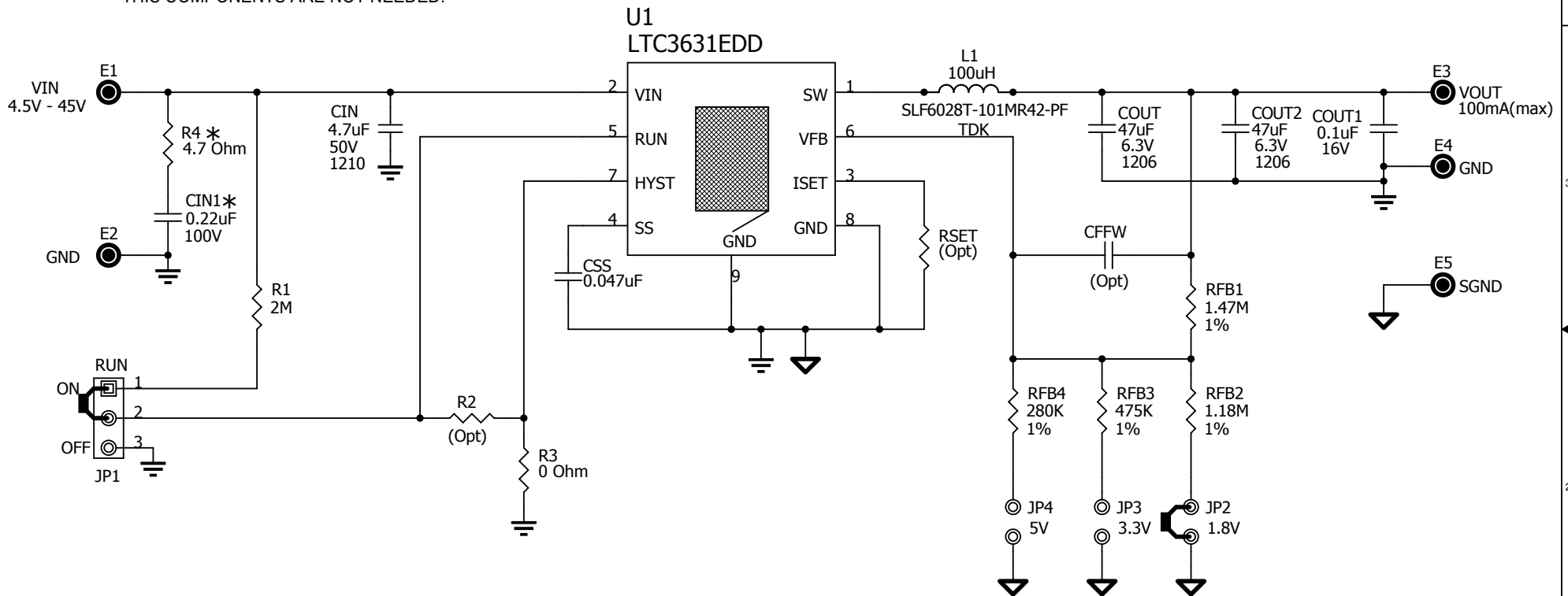


| REVISION HISTORY | | | | |
|------------------|-----|---------------|--------|------------|
| ECO | REV | DESCRIPTION | DATE | APPROVED |
| | 0 | 1st PROTOTYPE | <DATE> | <APPROVED> |
| | | | | |

* CIN1 & R4 ARE OPTIONAL COMPONENTS. THEY ARE INSERTED ON THE DC1499A TO DAMPEN THE (POSSIBLE) RINGING VOLTAGE DUE TO THE LONG INPUT LEADS. ON A NORMAL, TYPICAL PCB, WITH SHORT TRACES, THIS COMPONENTS ARE NOT NEEDED.



This circuit is proprietary to Linear Technology and supplied for use with Linear Technology parts.
Customer Notice: Linear Technology has made a best effort to design a circuit that meets customer-supplied specifications; however, it remains the customers responsibility to verify proper and reliable operation in the actual application. Component substitution and printed circuit board layout may significantly affect circuit performance or reliability. Contact Linear Applications Engineering for assistance.

| APPROVALS | | LINEAR TECHNOLOGY CORPORATION | |
|-----------------------------------|--|---|--|
| DRAWN: Rudy Bautista | | 1630 McCARTHY BLVD | |
| ENGINEER: Chuen Ming Tan | | MILPITAS, CA. 95035 | |
| APPROVED: | | (408)432-1900 | |
| CHECKED: | | (408)434-0507 (FAX) | |
| Date: Thursday, February 26, 2009 | | www.linear.com | |
| | | LTC Confidential - For Customer Use Only | |
| | | Title: LTC3631EDD | |
| | | High Efficiency 100mA Monolithic Synchronous Buck Regulator | |
| | | Document Number | |
| | | Demo Circuit 1499A | |
| | | Rev 0 | |
| | | Sheet 1 of 1 | |