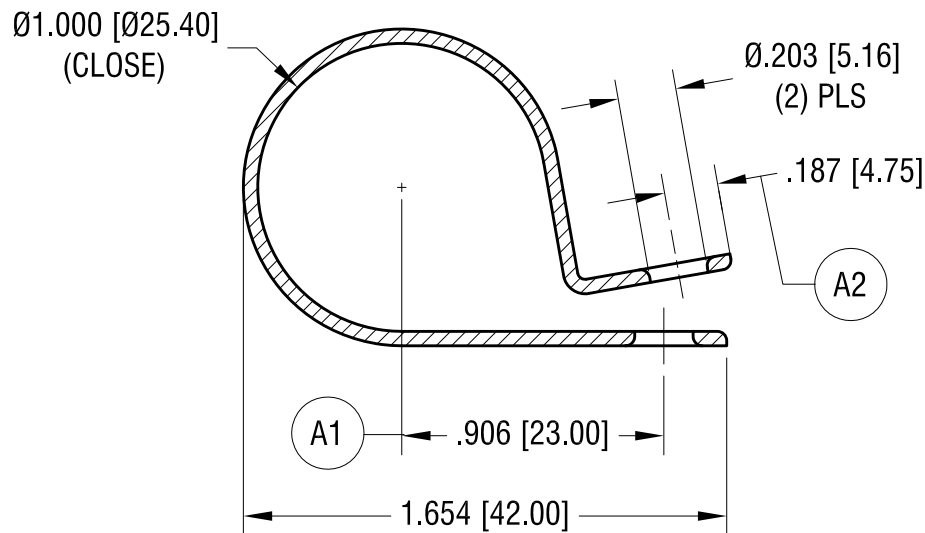
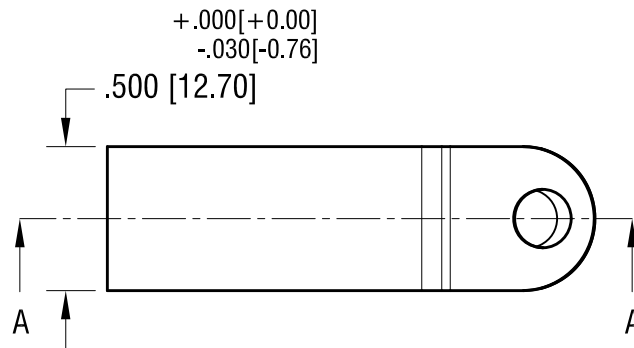
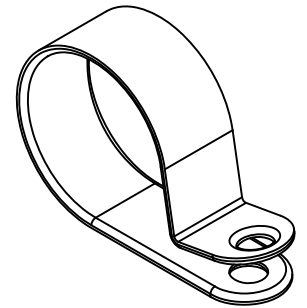


THIS DOCUMENT IS THE PROPERTY OF
KEYSTONE ELECTRONICS CORP. AND
SHALL NOT BE REPRODUCED, DISTRIBUTED
OR USED AS A BASIS FOR MANUFACTURE
WITHOUT PRIOR WRITTEN PERMISSION
FROM KEYSTONE ELECTRONICS CORP.

ACTUAL SIZE



SECTION A-A

5.12.20 (A1) WAS .910 [23.11], (A2) WAS 218 [5.54]
CHANHE AS PER ECN 20-043

DATE	DESCRIPTION	REV.
		A

KEYSTONE ELECTRONICS CORP.			
www.keyelco.com • NEW HYDE PARK, NY 11040 • Tel (516) 328-7500			
PART NAME		NYLON CABLE LAMP	
MATERIAL			
.050 [1.27] TH'K NYLON 6/6, UL94V-2			
FINISH		DRN BY	DATE
NONE		BOONE	11.02.06
		APP'D	SCALE
		RH	1.5X
TOLERANCES	INCH [MM]	CODE	DWG NO.
DECIMAL	± .015 [± 0.38]	C	7638
ANGULAR	± 1°		
UNLESS OTHERWISE SPECIFIED			