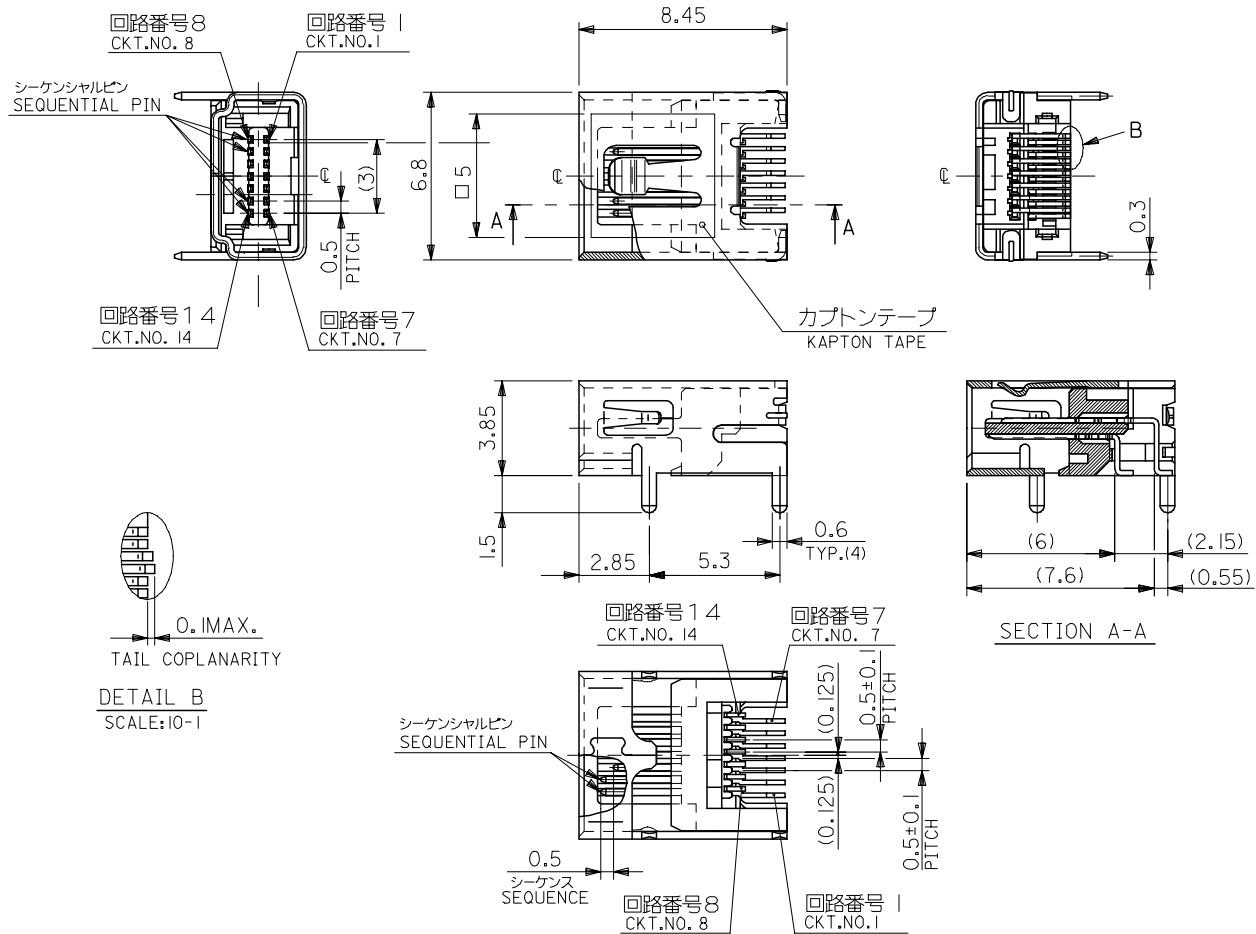


NOTE:

1. 適合リセ番号: 500240-1401
(CABLE HARNESS)
APPLICABLE REC. NO.: 500240-1401
(CABLE HARNESS)
2. 材質
MATERIAL
 - 2-1.ハウジング: ガラス入り耐熱樹脂
94V-0, 黒色
HOUSING: G.F. HEAT RESISTANT PLASTIC
94V-0, BLACK COLOR
 - 2-2. ターミナル: 銅合金
TERMINAL COPPER ALLOY
 - 2-3. プラグ シールド: ステンレス鋼
PLUG SHIELD STAINLESS STEEL
3. メッキ仕様
PLATING
 - 3-1. ターミナル
TERMINAL
 - 3-1-1. 接点部: 金メッキ 0.1umMIN.
CONTACT AREA GOLD
 - : パラジウムニッケルメッキ 0.2umMIN.
PALLADIUM-NICKEL
 - 3-1-2. 半田付け部: 錫メッキ 1.0um以上
SOLDER TAIL AREA TIN
 - 3-1-3. 下地メッキ: ニッケルメッキ 1.5 ~ 3um
UNDER-PLATING NICKEL
 - 3-2. プラグ シールド
PLUG SHIELD
 - 3-2-1. 金コート処理
GOLD COATING
 - 3-2-2. 下地メッキ: ニッケルメッキ 1.0 ~ 2um
UNDER-PLATING NICKEL
4. 本製品は 55768-1425 の鉛フリー品である。
THIS PRODUCT IS LEAD FREE OF 55768-1425.



DETAIL B
SCALE: 10:1

501014-1425	501014-14**
MATERIAL NO.	MODEL NO.

RELEASED EC NO.: J2005-0233 DRAWN: MNABE CHKD: KTOJO APPR: NUKITA 2004/08/03 2004/08/03 2004/08/04	GENERAL TOLERANCES (UNLESS SPECIFIED)		DIMENSION STYLE MM ONLY		SCALE 5:1	DESIGN UNITS METRIC	THIRD ANGLE PROJECTION
	10 UNDER	±0.2	DRAWN BY MNABE1	DATE '04/07/20	TITLE 0.5 I/O CONN PLUG HS'G ASSY 14CKT -LEAD FREE-		
	10 OVER 30 UNDER	±0.25	CHECKED BY KTOJO	DATE '04/07/20			
	30 OVER	±0.3	APPROVED BY NUKITA	DATE '04/07/20	MOLEX INCORPORATED		
ANGULAR	±3 °	MATERIAL NO.	DOCUMENT NO. SD-501014-007	SHEET NO. 1 OF 2			
0	DRAFT WHERE APPLICABLE MUST REMAIN WITHIN DIMENSIONS		SEE CHART		THIS DRAWING CONTAINS INFORMATION THAT IS PROPRIETARY TO MOLEX INCORPORATED AND SHOULD NOT BE USED WITHOUT WRITTEN PERMISSION		

10 9 8 7 6 5 4 3 2 1

F

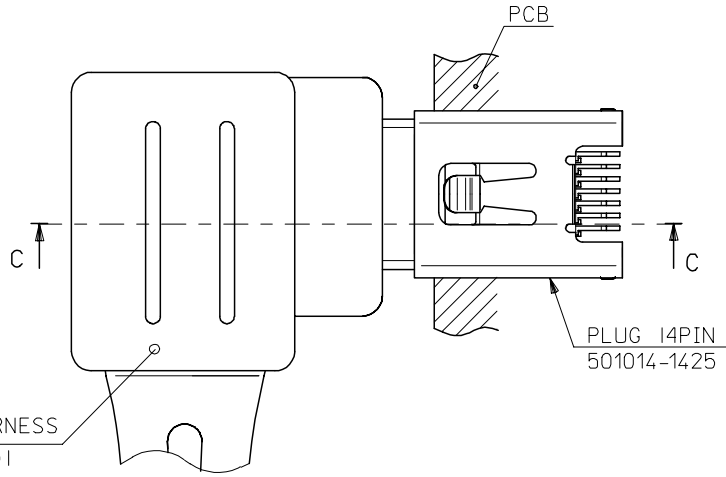
E

D

C

B

A

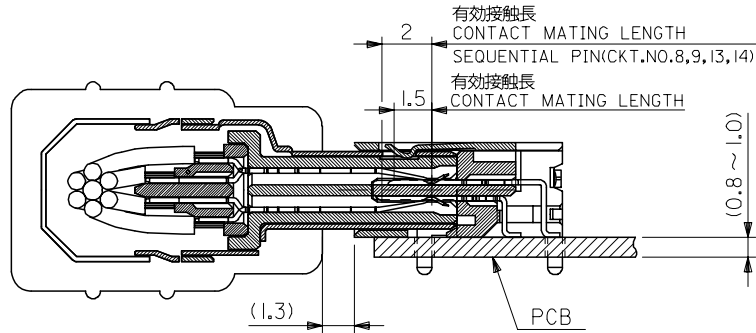


14PIN CABLE HARNESS
500240-1401

PCB

PLUG 14PIN
501014-1425

嵌合図
MATED CONNECTORS



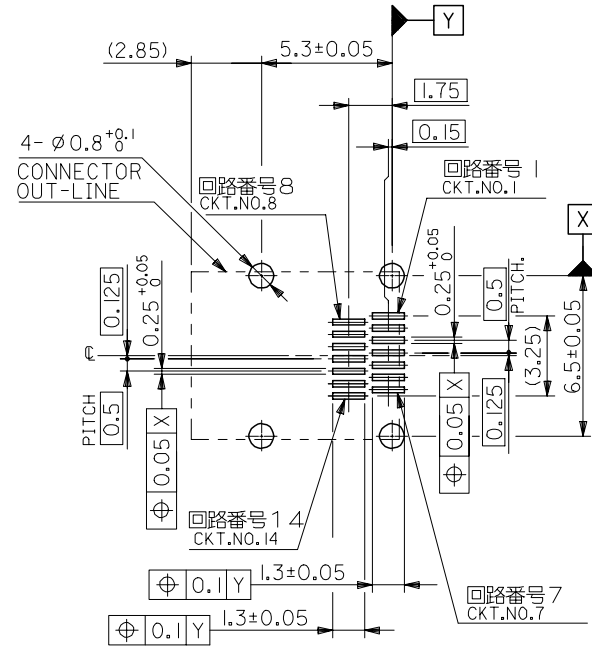
SECTION C-C

有効接触長
CONTACT MATING LENGTH
SEQUENTIAL PINCKT.NO.8,9,13,14
有効接触長
CONTACT MATING LENGTH

(1.3)

PCB

(0.8~1.0)



基板穴推奨寸法 (部品実装側)
RECOMMENDED P.C.B LAYOUT (MOUNTING SIDE)

RELEASED EC NO: J2005-0233 DRAWN: MNABE1 2004/08/03 CHKD: KTOJO 2004/08/03 APPR: NUKITA 2004/08/04 REV: 0	GENERAL TOLERANCES (UNLESS SPECIFIED)		DIMENSION STYLE MM ONLY		SCALE 5:1	DESIGN UNITS METRIC	THIRD ANGLE PROJECTION		
	10 UNDER	±0.2	DRAWN BY MNABE1		DATE '04/07/20	TITLE 0.5 I/O CONN PLUG HS'G ASSY 14CKT -LEAD FREE-			
	10 OVER 30 UNDER	±0.25	CHECKED BY KTOJO		DATE '04/07/20				
	30 OVER	±0.3	APPROVED BY NUKITA		DATE '04/07/20	MOLEX INCORPORATED			
	ANGULAR	±3 °	MATERIAL NO.		DOCUMENT NO.				
DRAFT WHERE APPLICABLE MUST REMAIN WITHIN DIMENSIONS			SIZE A3		SEE CHART		SD-501014-007	2 OF 2	