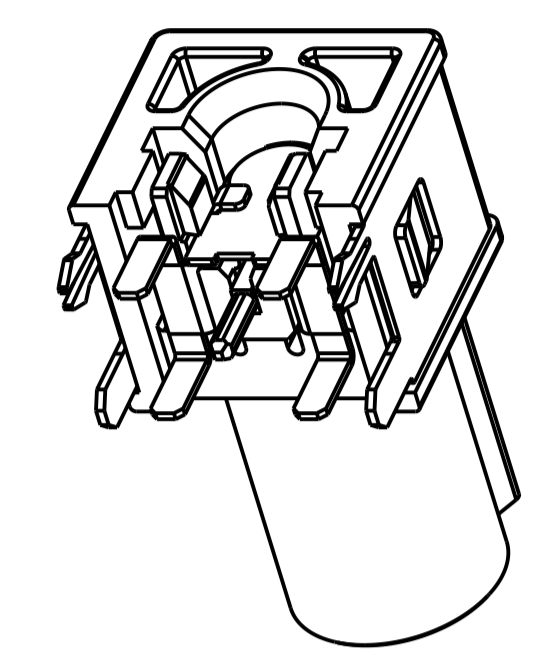
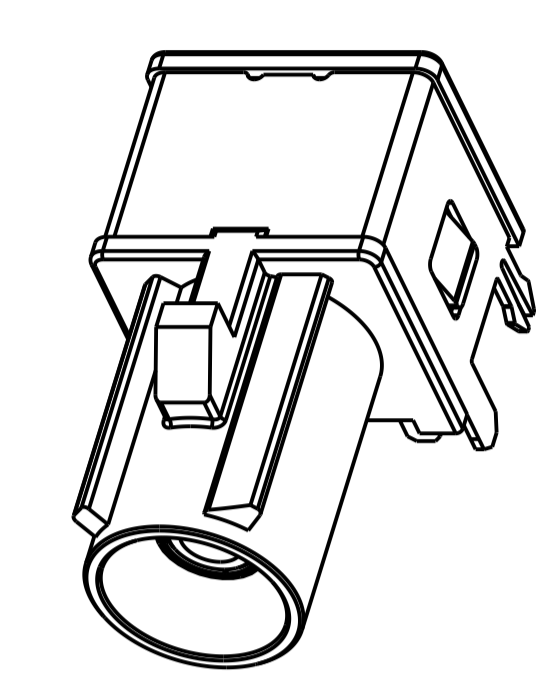
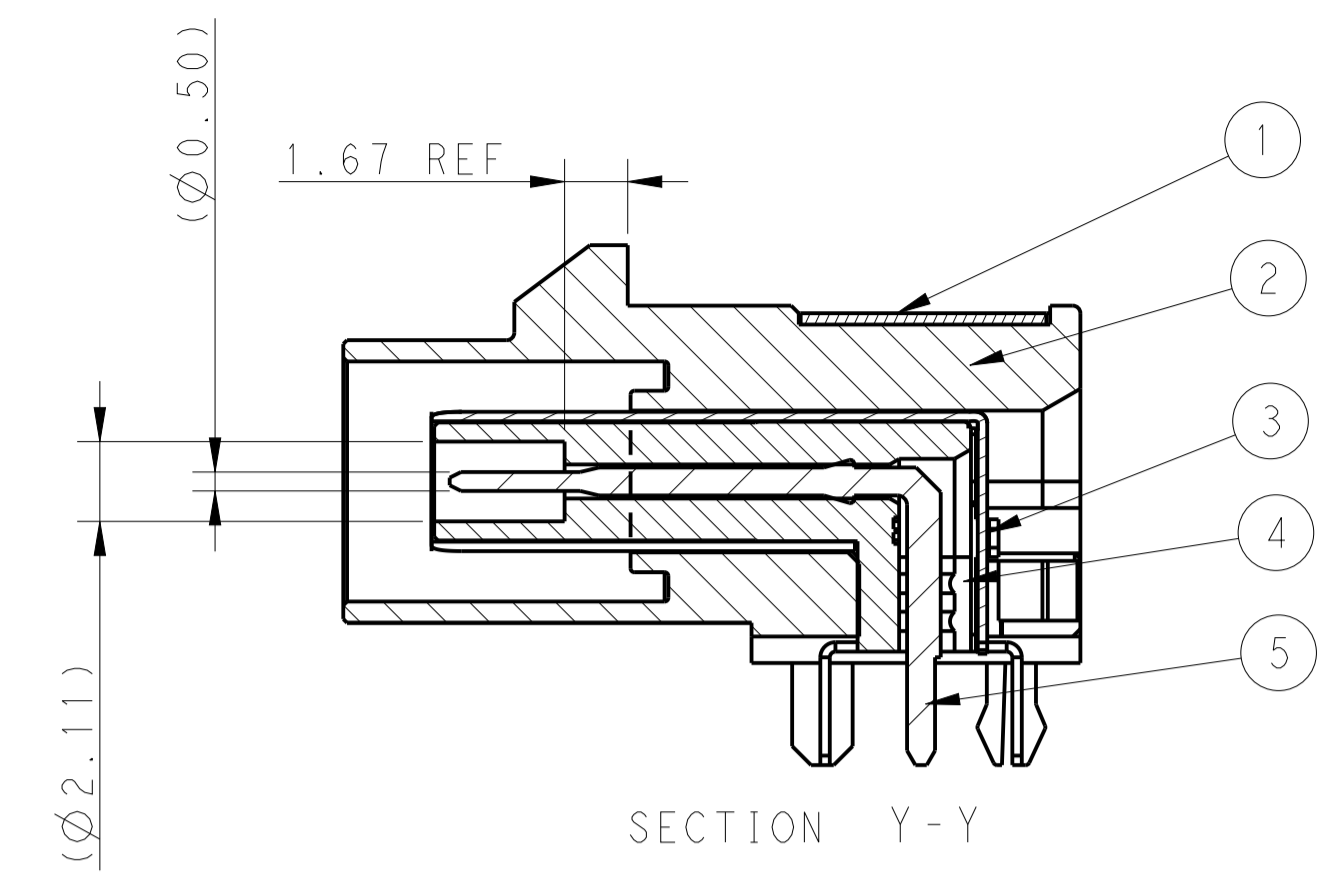
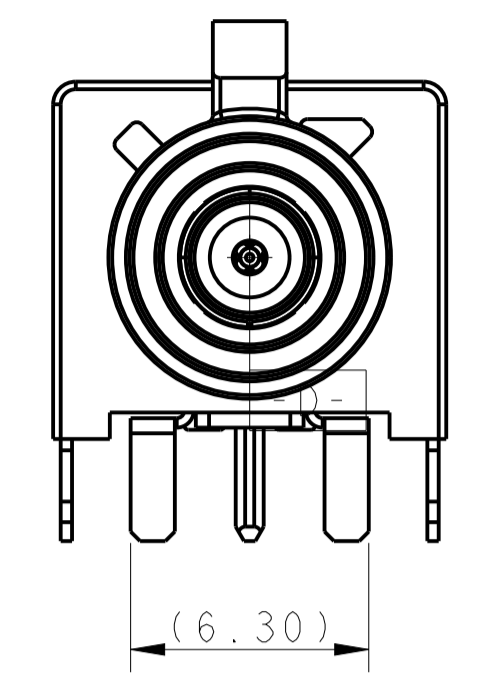
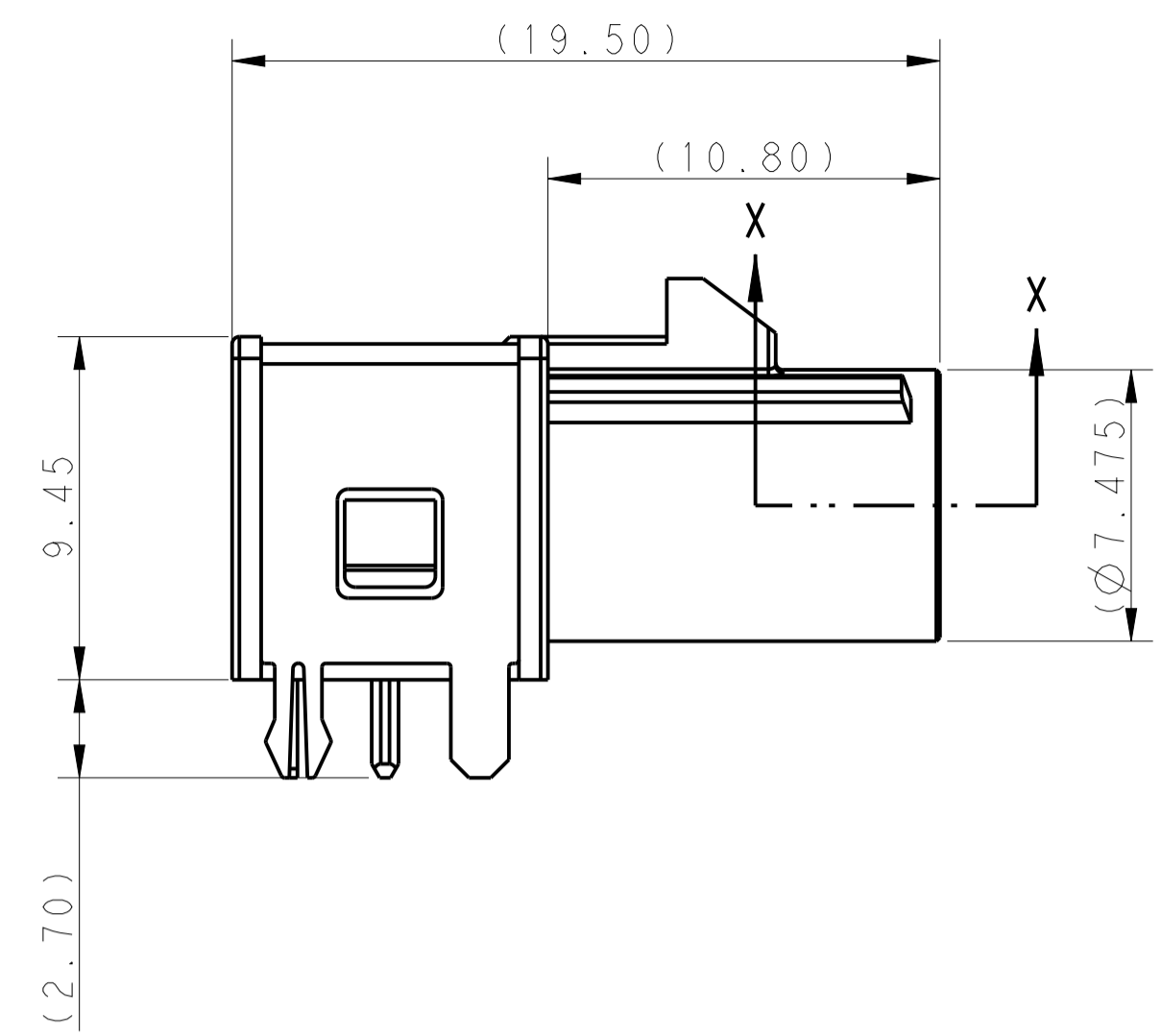


LOC	DIST	REVISIONS					
		P.	LTN	DESCRIPTION	DATE	DWN	APVD
ES	00	C		REV PER ECR-14-012823	27AUG14	D.Z	P.W
		C1		REV PER ECO-21-003597	17MAR21	L.L	I.Y



SCALE 4:1

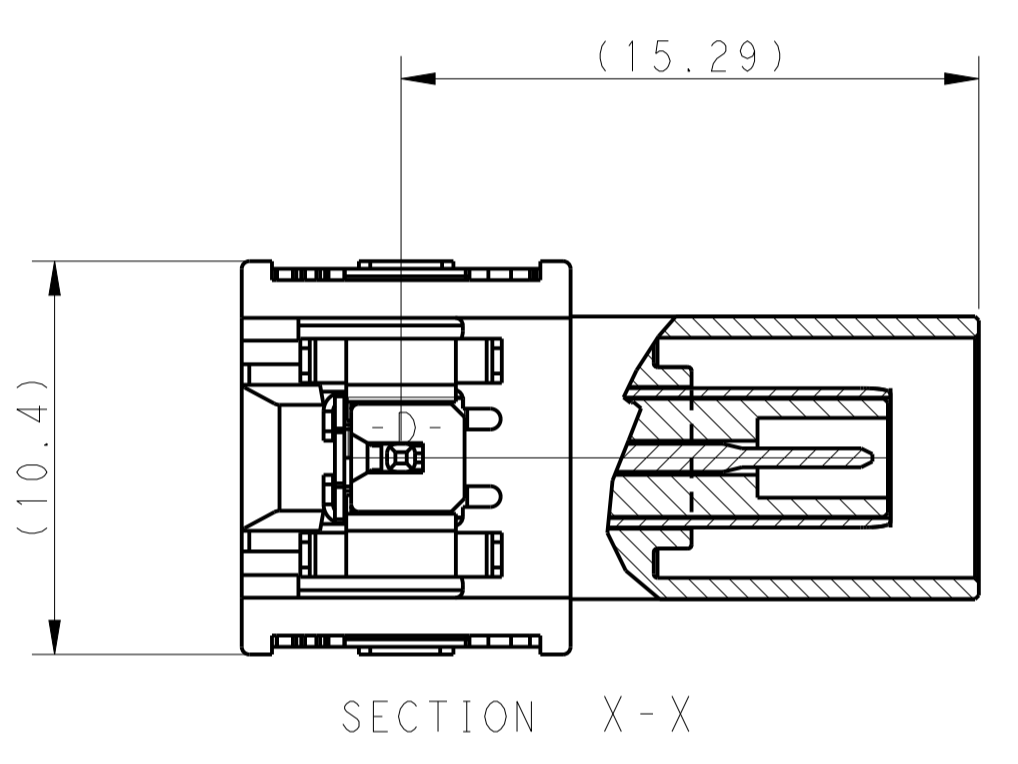


TABLE1 CODING INFORMATION

2209201-1 CODE A	2209201-2 CODE B	2209201-3 CODE C	2209201-4 CODE D	2209201-5 CODE E	2209201-6 CODE F		
2209201-7 CODE G	2209201-8 CODE H	2209201-9 CODE I	1-2209201-0 CODE K	1-2209201-1 CODE L	1-2209201-2 CODE M	1-2209201-3 CODE N	2-2209201-1 CODE A

NOTE

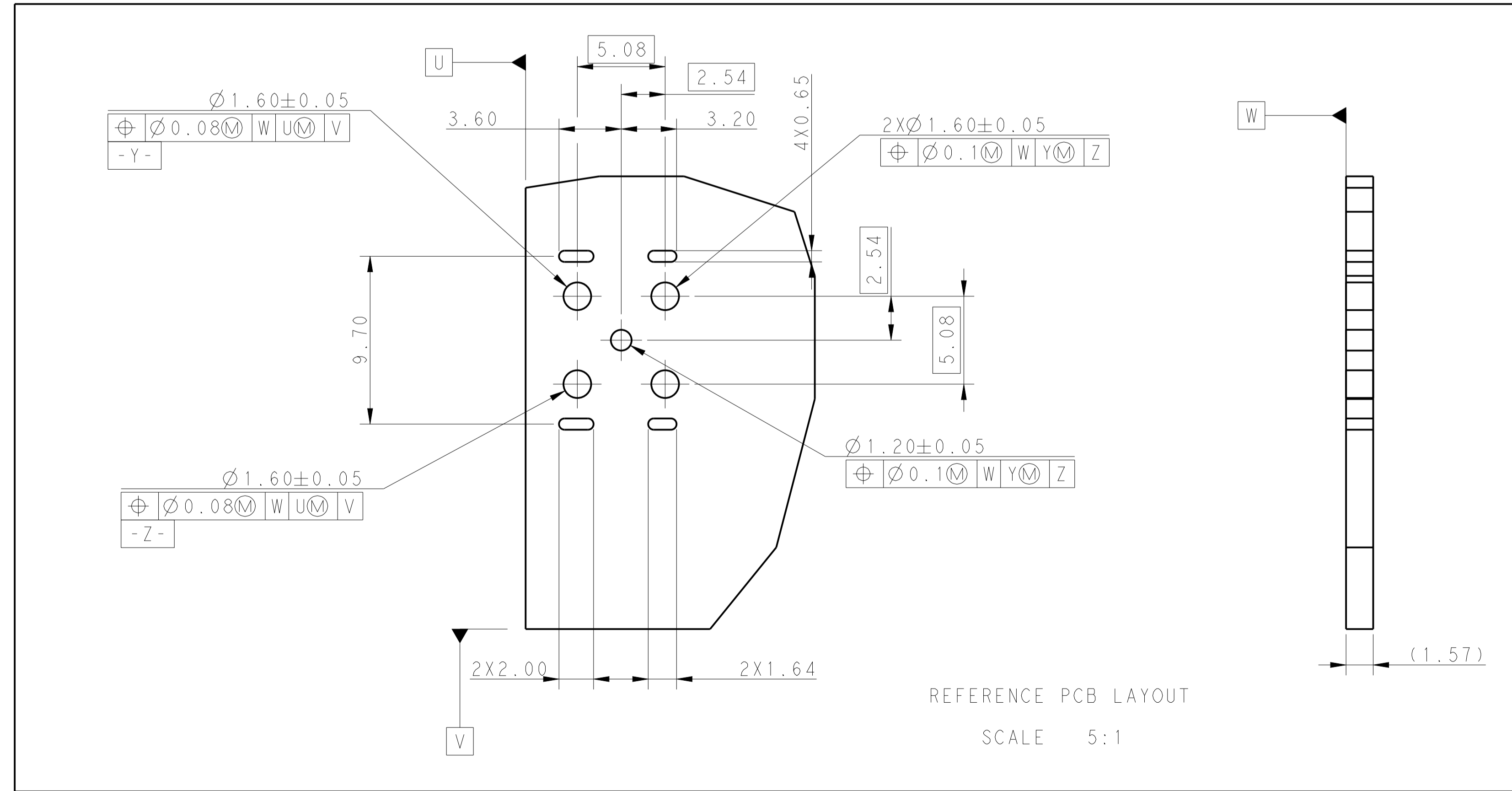
1. IMPEDENCE : 50 Ohms
2. TEM. RANGE : -40 - 105 °C
3. CODING INFORMATION SEE TABLE1, PART NUMBER INFORMATION AND PCB LAYOUT SEE TABLE2 ON SHEET2

THIS DRAWING IS A CONTROLLED DOCUMENT.		DWN: L.LIU 19MAR2021	TE Connectivity
DIMENSIONS: mm		CHK: D.ZHU 19MAR2021	
TOLERANCES UNLESS OTHERWISE SPECIFIED:		APVD: J.YIN 19MAR2021	NAME: JACK ASSEMBLY, RIGHT ANGLE PANEL MOUNT, PCB, FAKRA
0 PLC ±0.3	1 PLC ±0.1	PRODUCT SPEC	SIZE: A100779C=2209201
2 PLC ±0.1	3 PLC ±0.05	APPLICATION SPEC	RESTRICTED TO
4 PLC ±0.05	ANGLES ±0.1	WEIGHT	SCALE: 5:1 SHEET 1 OF 2 REV: C1
MATERIAL	FINISH	CUSTOMER DRAWING	

LOC	DIST	REVISIONS			
		REV	DATE	BY	APPV
ES	00	-	SEE SHEET 1	-	-

TABLE2 PART NUMBER INFORMATION

1	1	1	1	1	1	1	1	1	1	1	1	1	1	1	INNER CONTACT	5
1	1	1	1	1	1	1	1	1	1	1	1	1	1	1	DIELECTRIC	4
1	1	1	1	1	1	1	1	1	1	1	1	1	1	1	OUTER CONTACT	3
1															HOUSING,CODING A, ROTATION 90° DEEP BLACK	2
	1														HOUSING,CODING N,PASTEL GREEN	
		1													HOUSING,CODING M,PASTEL ORANGE	
			1												HOUSING,CODING L,CARMINE RED	
				1											HOUSING,CODING K,CURRY YELLOW	
					1										HOUSING,CODING I,BEIGE	
						1									HOUSING,CODING H,VIOLET	
							1								HOUSING,CODING G,BLUE GREY	
								1							HOUSING,CODING F,BROWN	
									1						HOUSING,CODING E,LEAF GREEN	
										1					HOUSING,CODING D,BORDEAUX VIOLET	
											1				HOUSING,CODING C,SIGNAL BLUE	
												1			HOUSING,CODING B,CREAM WHITE	
													1		HOUSING,CODING A,DEEP BLACK	
1	1	1	1	1	1	1	1	1	1	1	1	1	1	1	METAL SHIELDING	1
2-2209201-1	1-2209201-3	1-2209201-2	1-2209201-1	1-2209201-0	2209201-9	2209201-8	2209201-7	2209201-6	2209201-5	2209201-4	2209201-3	2209201-2	2209201-1		DESCRIPTION	ITEM



THIS DRAWING IS A CONTROLLED DOCUMENT.

DIMENSIONS:	TOLERANCES UNLESS OTHERWISE SPECIFIED:	OWN	19MAR2021
mm	0 PLC ±	CHK	19MAR2021
	1 PLC ±0.3	APVD	19MAR2021
	2 PLC ±0.1		
	3 PLC ±0.05		
	4 PLC ±		
	ANGLES ±		
MATERIAL	FINISH	WEIGHT	

TE Connectivity

JACK ASSEMBLY, RIGHT ANGLE
PANEL MOUNT, PCB, FAKRA

SIZE: A1 CAGE CODE: 00779 DRAWING NO: 2209201 RESTRICTED TO: -

CUSTOMER DRAWING SCALE: 5:1 SHEET: 2 OF 2 REV: C1