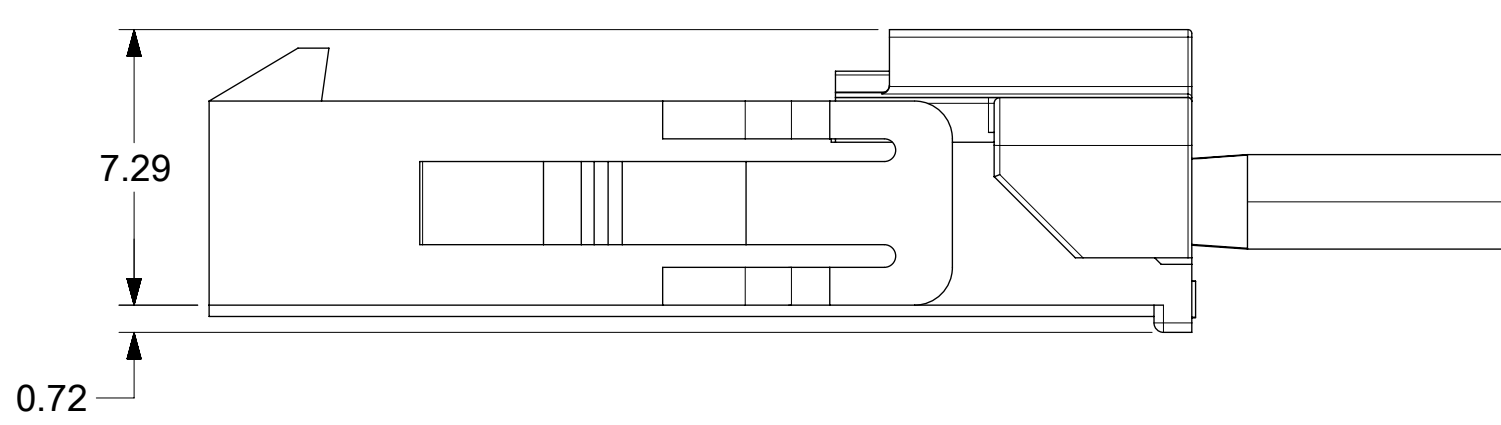
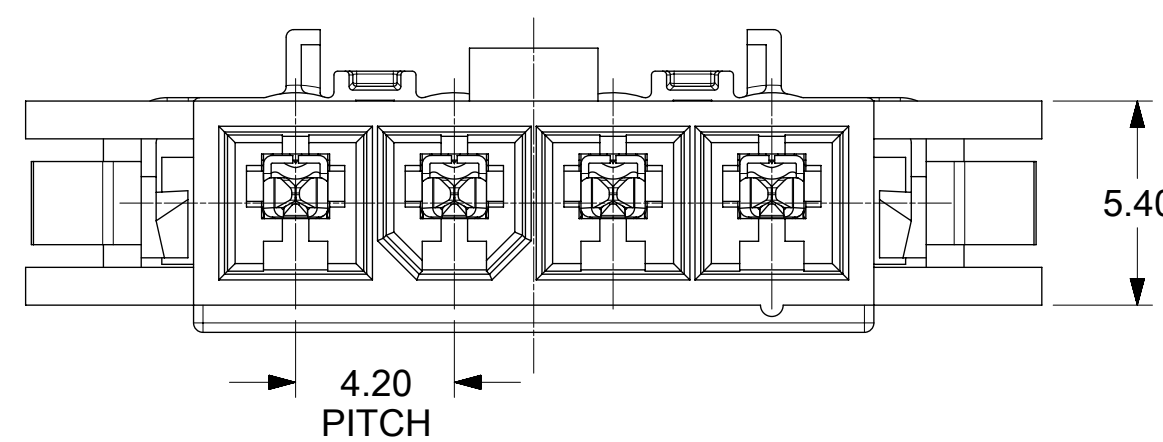
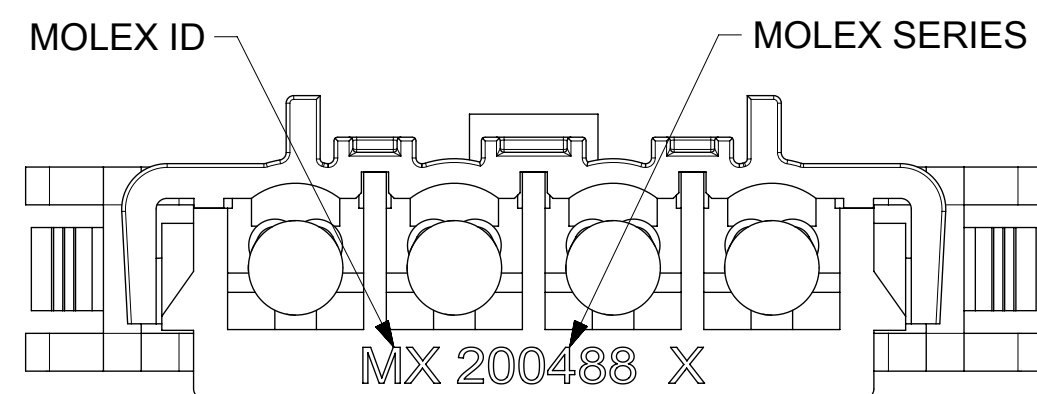
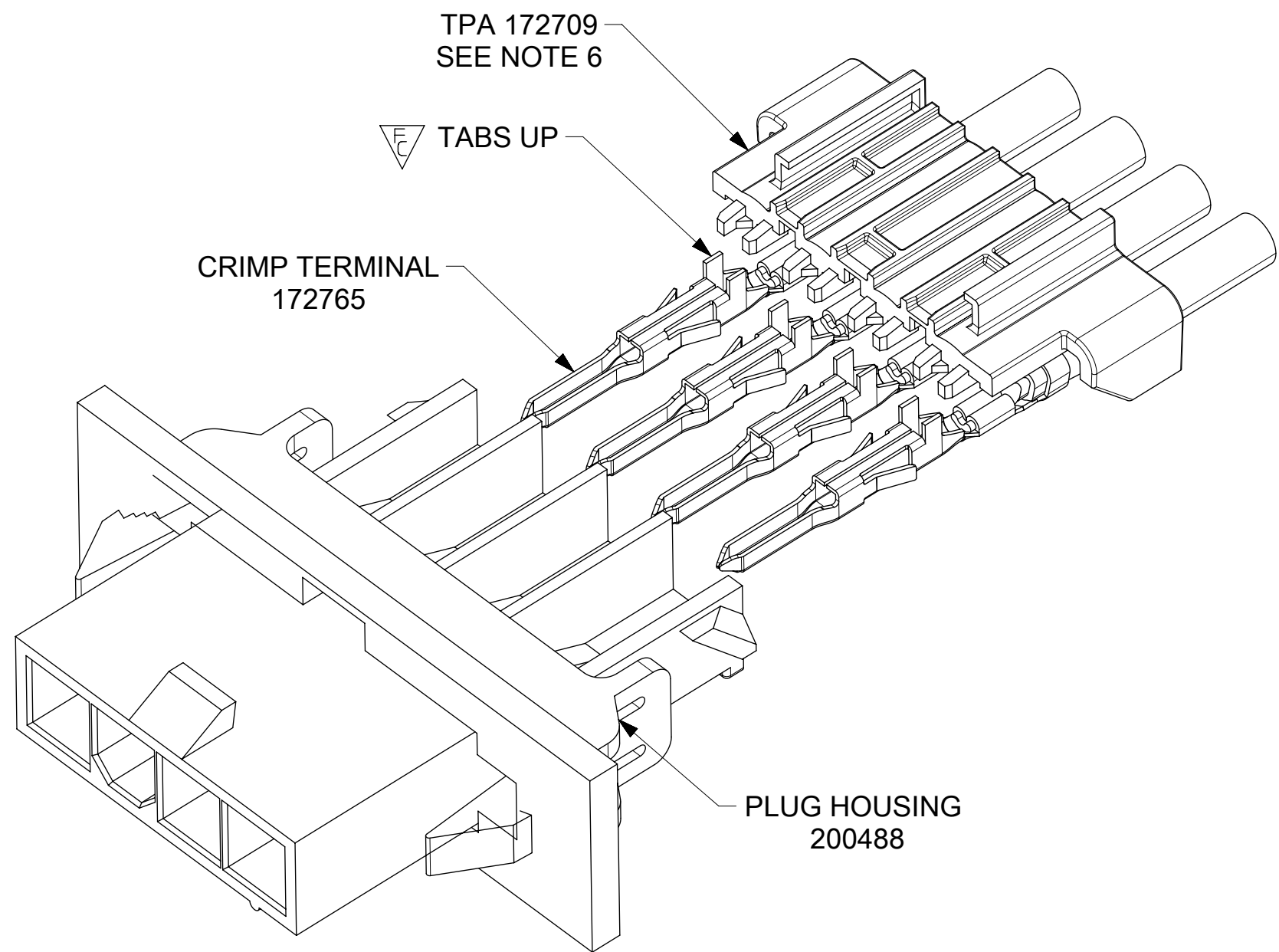
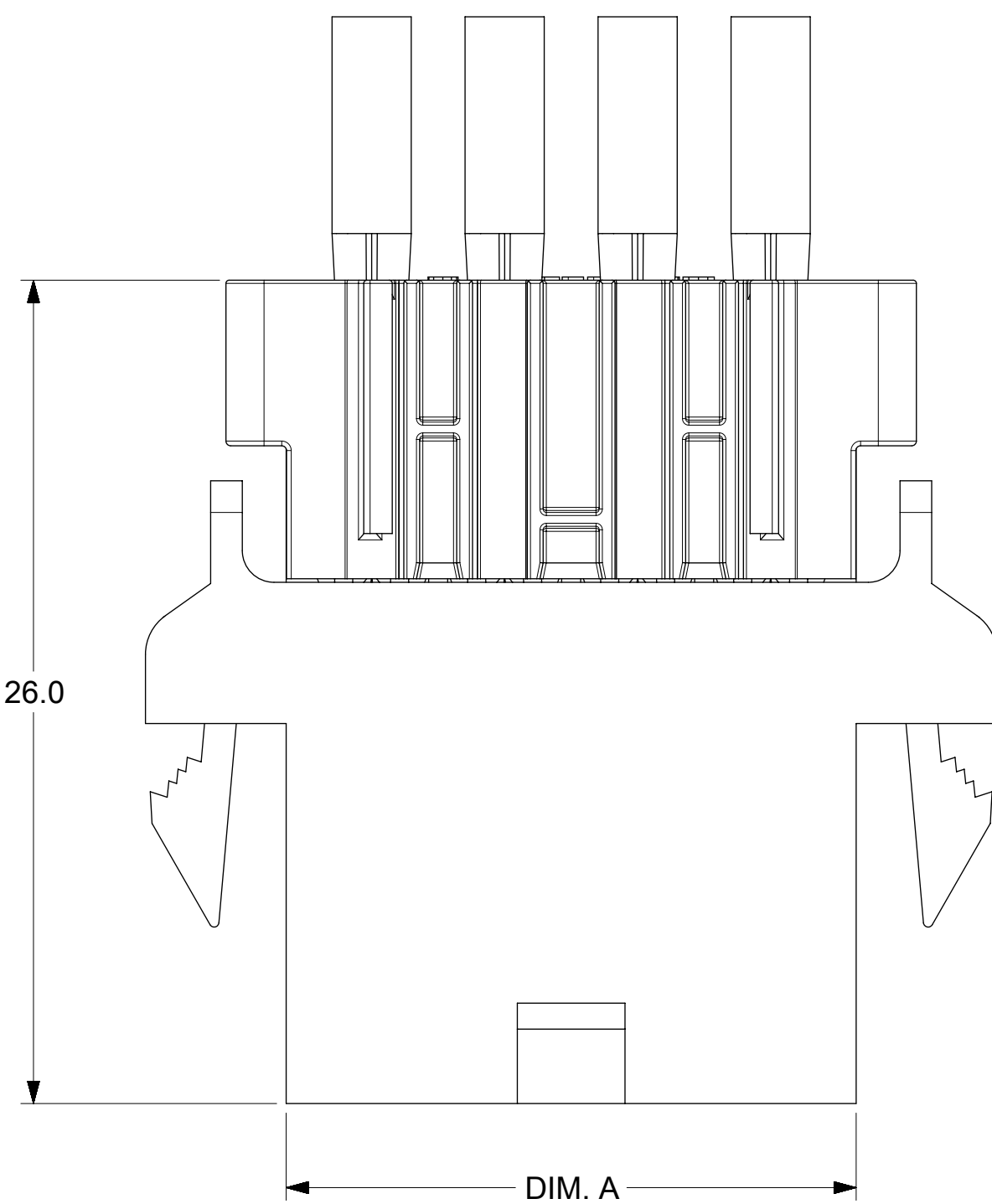


PART NUMBER	CKTS	DIM. A	DIM. B	DIM. C	MATERIAL
2004881002	2	9.6	10.0	15.0	A
2004881102					B
2004881003	3	13.8	14.2	19.2	A
2004881103					B
2004881004	4	18.0	18.4	23.4	A
2004881104					B
2004881005	5	22.2	22.6	27.6	A
2004881105					B
2004881006	6	26.4	26.8	31.8	A
2004881106					B



- NOTES:
- MATERIAL:
'A' = NYLON V-0, LOW HALOGEN, COLOR: BLACK
'B' = NYLON V-2, GLOW WIRE CAPABLE, COLOR: BLACK
 - FINISH: NONE
 - PRODUCT SPECIFICATION: PS-172718-0000
APPLICATION SPECIFICATION: AS-172718-0000
 - PACKAGING SPECIFICATION: 2004881000-PK
 - THIS HOUSING TO BE USED WITH MALE TERMINAL SERIES 172765 AND TPA SERIES 172709.
 - THIS PRODUCT MUST BE USED WITH THE TPA INSTALLED.
 - THIS PART MATES WITH SERIES 5557 & 200453.
 - THIS PART CONFORMS TO CLASS 'B' REQUIREMENTS OF COSMETIC SPECIFICATION PS-45499-002.
 - FOR BLACK 'B' MATERIAL USE CLASS C GATE BLIMISH SPEC.
 - PANEL CUTOUT THICKNESS SHOULD BE 2.0MM MAXIMUM

SYMBOLS		THIS DRAWING CONTAINS INFORMATION THAT IS PROPRIETARY TO MOLEX ELECTRONIC TECHNOLOGIES, LLC AND SHOULD NOT BE USED WITHOUT WRITTEN PERMISSION		CURRENT REV DESC: INITIAL RELEASE	
	= 0	DIMENSION UNITS	SCALE		
	= 2	mm	5:1		
	= 0	GENERAL TOLERANCES (UNLESS SPECIFIED)			
	= 0	ANGULAR TOL	± 0.5°		
	= 0	4 PLACES	±	EC NO: 601722	2018/07/19
	= 0	3 PLACES	±	DRWN: SS06	2018/07/23
	= 0	2 PLACES	± 0.13	CHK'D: ISHWARG	2018/07/23
	= 0	1 PLACE	± 0.2	APPR: ISHWARG	2018/07/23
	= 0	0 PLACES	±	INITIAL REVISION:	
	= 0	DRAFT WHERE APPLICABLE MUST REMAIN WITHIN DIMENSIONS		DRWN: ABABU01	2018/01/05
	= 0	THIRD ANGLE PROJECTION		APPR: ISHWARG	2018/07/23
		DRAWING		SERIES	
		C-SIZE		200488	
DOCUMENT STATUS		P1	RELEASE DATE	2018/07/23	06:33:35

molex

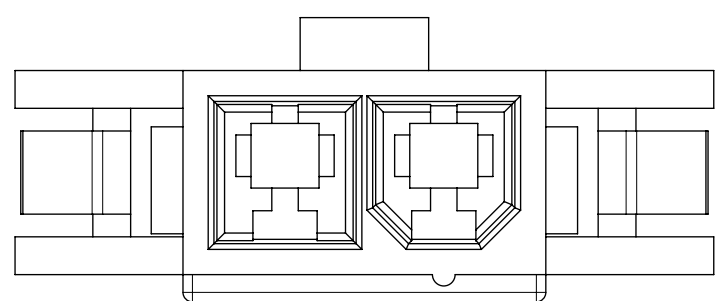
MINIFIT TPA2 SINGLE ROW PLUG HOUSING
OLD PANEL MOUNT

PRODUCT CUSTOMER DRAWING

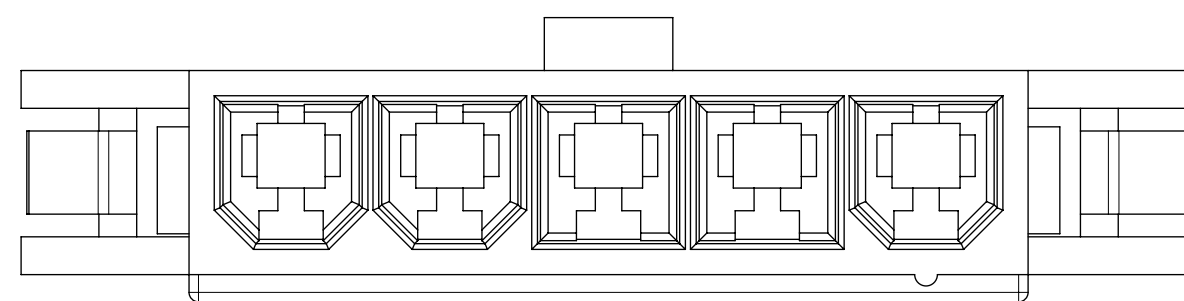
DOCUMENT NUMBER	DOC TYPE	DOC PART	REVISION
2004881000-SD	PSD	000	A
MATERIAL NUMBER	CUSTOMER	SHEET NUMBER	
SEE TABLE	GENERAL MARKET	1 OF 2	

POLARIZATION DETAIL

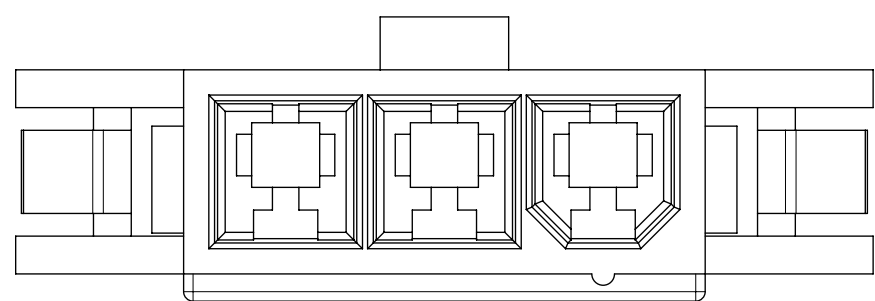
SHOWN WITHOUT TPA OR TERMINAL FOR CLARITY



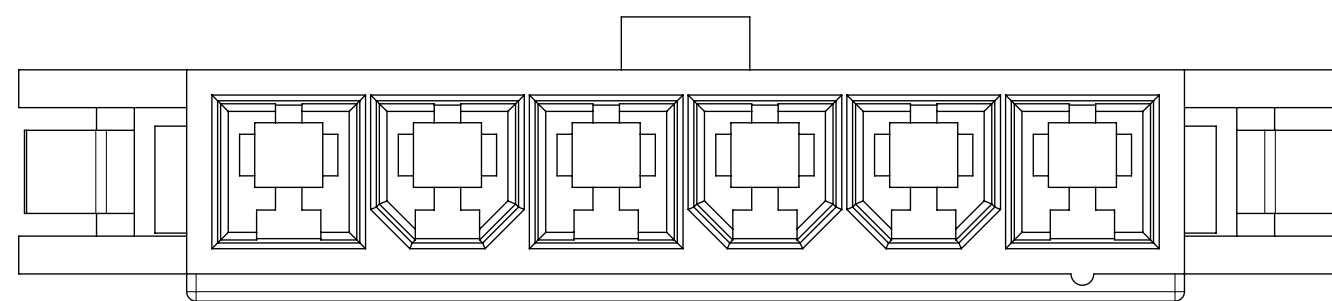
2 CKT



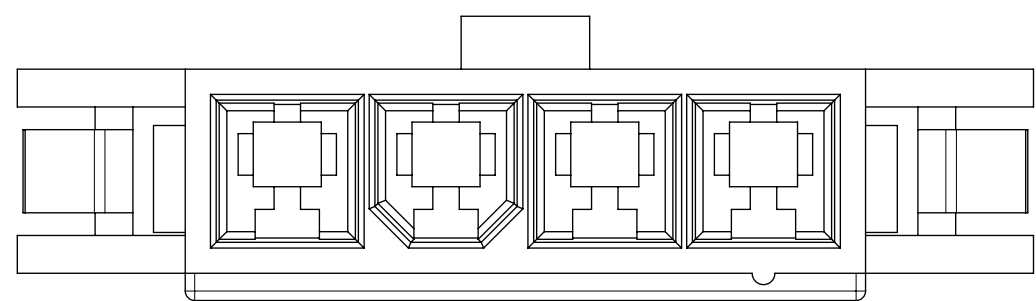
5 CKT



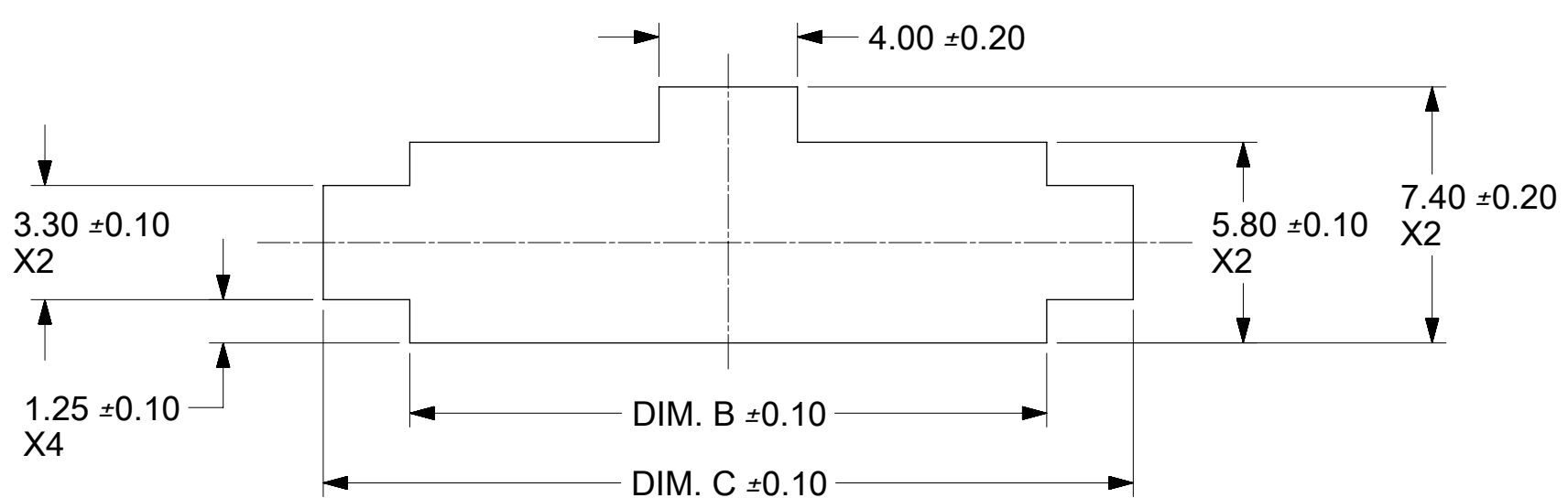
3 CKT



6 CKT



4 CKT



RECOMMENDED PANEL CUTOUT DIMENSIONS
 PANEL THICKNESS 0.8 Minimum - 2.0mm Maximum

SYMBOLS ▽ = 0 ▽ = 0 ▽ = 0 ▽ = 0 ▽ = 0 ▽ = 0 ▽ = 0 ▽ = 0 ▽ = 0	THIS DRAWING CONTAINS INFORMATION THAT IS PROPRIETARY TO MOLEX ELECTRONIC TECHNOLOGIES, LLC AND SHOULD NOT BE USED WITHOUT WRITTEN PERMISSION														
	DIMENSION UNITS	SCALE	CURRENT REV DESC: INITIAL RELEASE												
	mm	5:1													
	GENERAL TOLERANCES (UNLESS SPECIFIED)			EC NO: 601722							MINIFIT TPA2 SINGLE ROW PLUG HOUSING OLD PANEL MOUNT				
	ANGULAR TOL $\pm 0.5^\circ$			DRWN: SS06			2018/07/19								
	4 PLACES \pm			CHK'D: ISHWARG			2018/07/23								
	3 PLACES \pm			APPR: ISHWARG			2018/07/23	PRODUCT CUSTOMER DRAWING							
	2 PLACES ± 0.13			INITIAL REVISION:							DOCUMENT NUMBER		DOC TYPE	DOC PART	REVISION
	1 PLACE ± 0.2			DRWN: ABABU01			2018/01/05	2004881000-SD			PSD	000	A		
	0 PLACES \pm			APPR: ISHWARG			2018/07/23	SEE TABLE			GENERAL MARKET		SHEET NUMBER		
DRAFT WHERE APPLICABLE MUST REMAIN WITHIN DIMENSIONS			THIRD ANGLE PROJECTION	DRAWING	SERIES	MATERIAL NUMBER	CUSTOMER	SHEET NUMBER							
				C-SIZE	200488	SEE TABLE	GENERAL MARKET	2 OF 2							