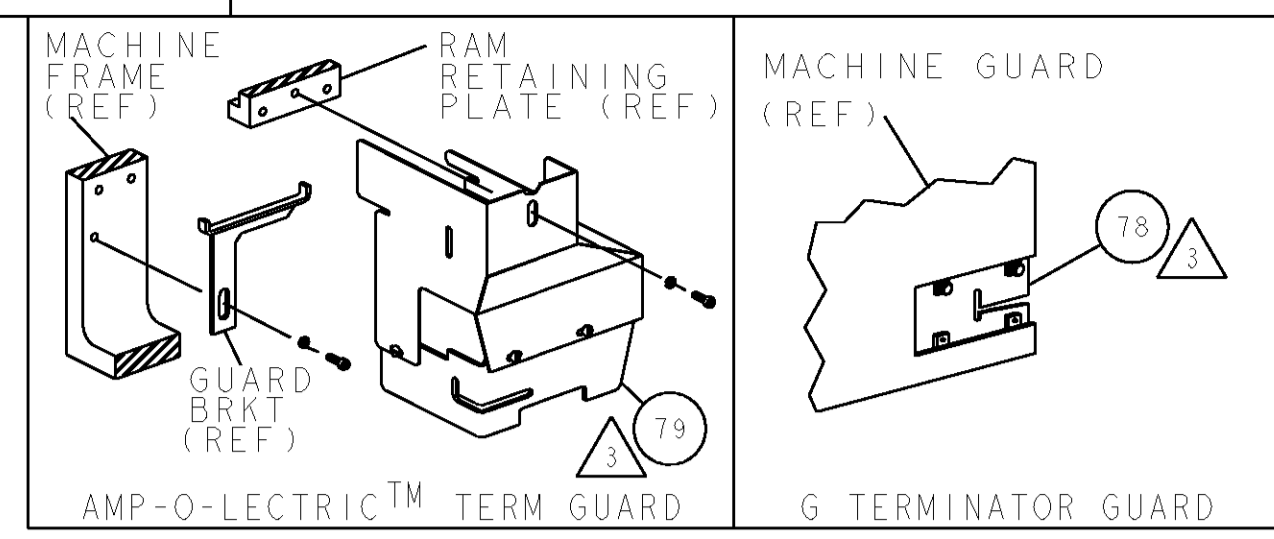
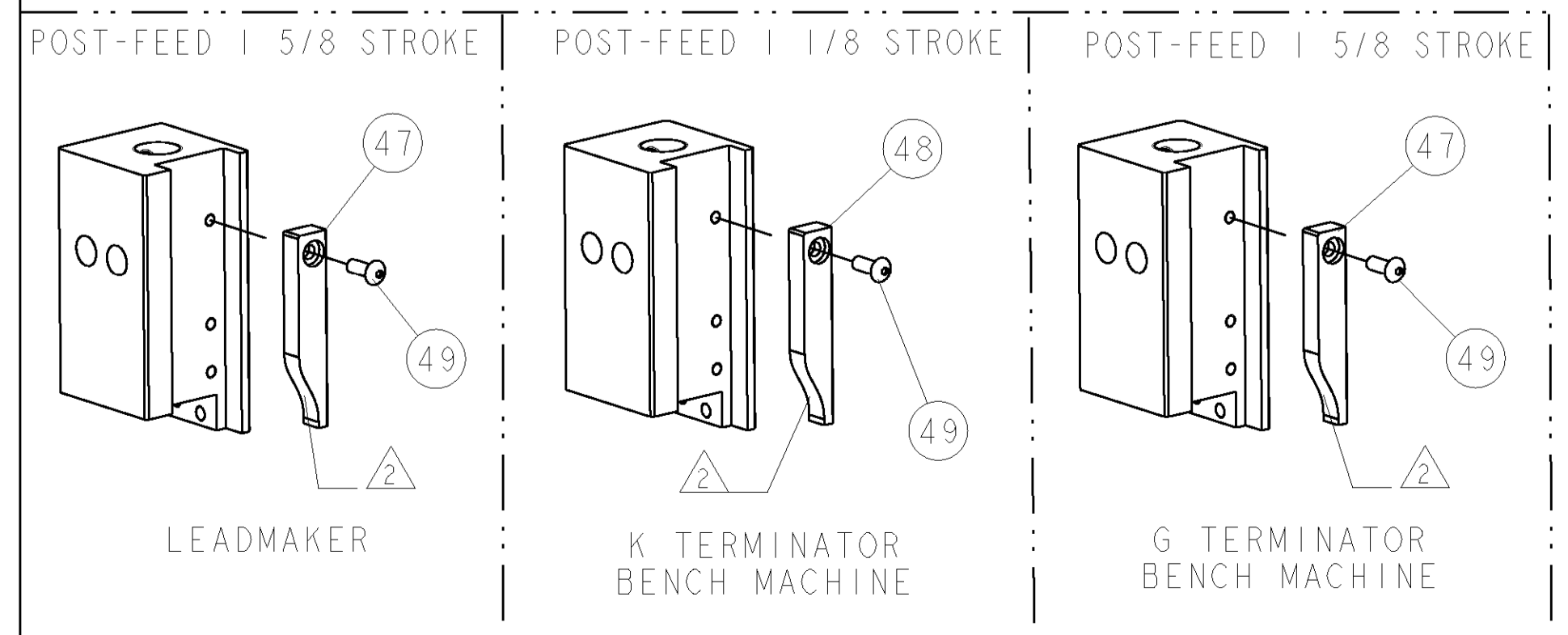
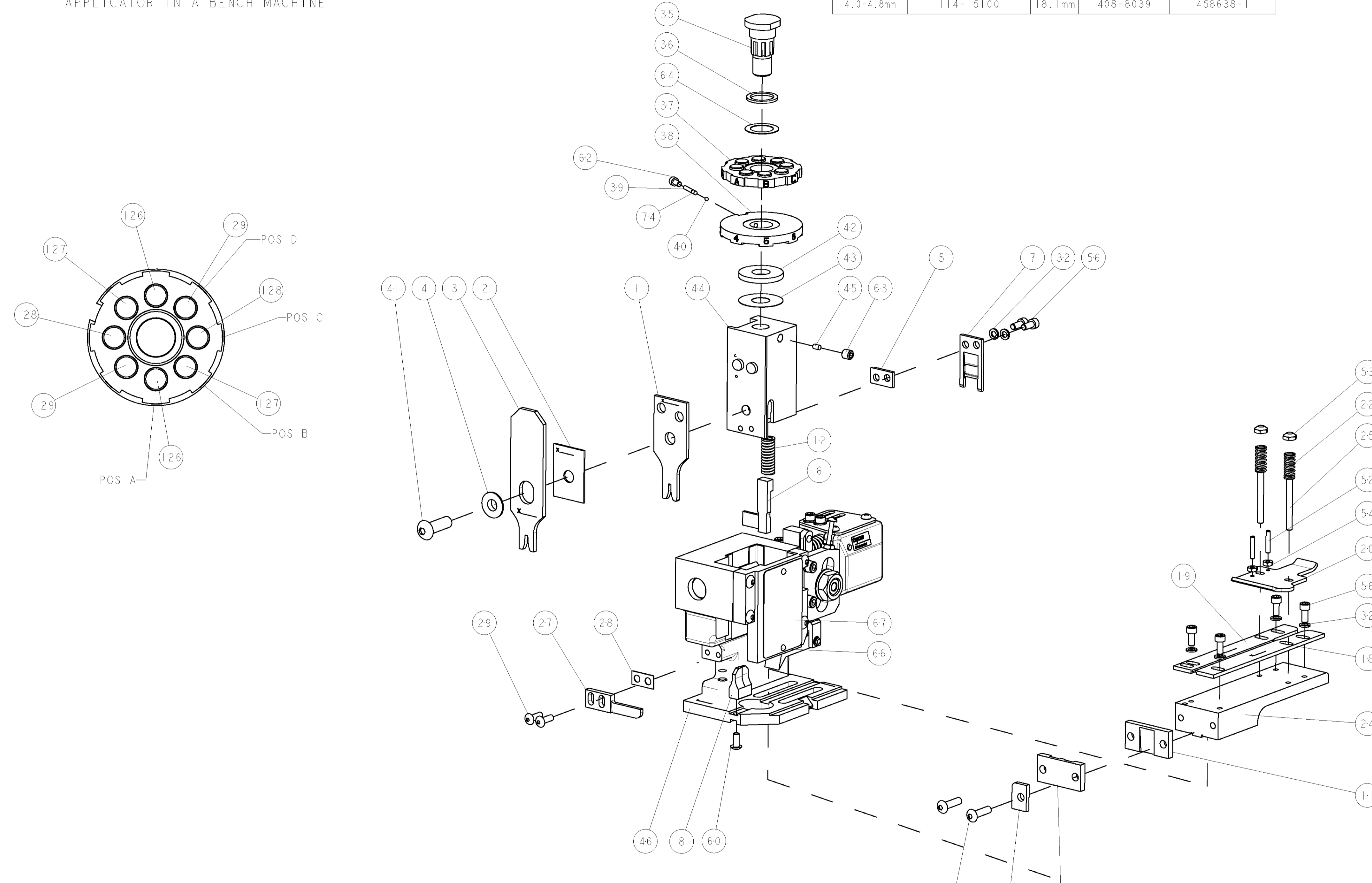


PART NUMBER	REV	FIRST USED	POWER UNIT	FEED TYPE
1852398-1	A	122500-1	LEADMAKER & BENCH MODEL G	POST FEED
1852398-2	A	565435-5	BENCH MODEL K	POST FEED
7-1852398-7	A	-	SPARE PARTS	-



TERMINAL NAME: LANGUETTE, 2.8mm				
AMP TERMINAL - AMP CRIMP SPECS				
PAD LTR	CRIMP HEIGHT	WIRE SIZE		
A	1.27±0.05mm [.050±.002]	1.00mm2		
B	1.17±0.05mm [.046±.002]	0.75mm2		
C	1.07±0.05mm [.042±.002]	0.5mm2		
D	.94±0.05mm [.037±.002]	0.22mm2		
CRIMP	SIZE	TYPE	RANGE	
-	1.79mm [.070]	F	0.22-1.0mm2	
-	2.54mm [1.00]	F	∅1.40-2.60mm	
WIRE STRIP LENGTH	TERM APPL SPEC	FEED	APPL INSTRUCTIONS	SET UP GAGE
4.0-4.8mm	114-15100	18.1mm	408-8039	458638-1

- △ RECOMMENDED SPARE PARTS
- △ GREASE LIGHTLY
- △ GUARD MUST BE IN PLACE WHEN OPERATING APPLICATOR IN A BENCH MACHINE



REV	QTY	DESCRIPTION	ITEM NO		
-	2	2	354779-6	PIN, WIRE DISC, .3020	129
-	2	2	9-354778-4	PIN, WIRE DISC, .2965	128
-	2	2	8-354778-5	PIN, WIRE DISC, .2920	127
-	2	2	7-354778-5	PIN, WIRE DISC, .2870	126
3	REF	REF	455745-1	GUARD WINDOW	79
3	REF	REF	679532-1	INSERT, GUARD	78
-	1	1	690603-1	SPRING ASSIST AMP-O-MATOR APPLICATOR	74
-	1	1	217238-1	GENERAL INSTRUCTION PKG	72
-	1	1	4088039	EF APPL INST 408-8039	71
-	1	1	461264-1	PLATE, IDENTIFICATION	67
-	2	2	21017-2	SCREW, DRIVE	66
-	1	1	986950-1	WASHER, FLAT PRECISION	64
-	1	1	21009-2	SCR, SET, SELF LOCKING 1/4-20 X .250	63
-	1	1	23030-1	SCR, SKT HD CAP 6-32 X .25	62
-	1	1	22733-8	SCR, BHSC, SELF-LOCKING, 8-32 X .375	60
-	6	6	2-21000-6	SCR, SKT HD CAP 8-32 X .375	56
-	2	2	21018-4	NUT, HEX, REG 4-40	54
-	2	2	21022-2	NUT, LOCK, HEX, TORQUE, 8-32	53
-	2	2	2-21006-6	SCR, SET, CUP POINT 4-40 X .625	52
-	1	1	1-21002-7	SCR, BTN SKT CAP 6-32 X .375	49
-	1	1	690501-3	CAM, POST FEED, 1 1/8	48
-	1	1	690501-4	CAM, POST FEED, 1 5/8	47
-	1	1	458980-1	SUB ASSY, APPLICATOR FRAME	46
-	1	1	690191-1	PLUG, NYLON	45
-	1	1	455674-1	RAM	44
-	1	1	690125-1	SHIM SUB-ASSY	43
-	1	1	690124-4	WASHER, RAM (.135)	42
-	1	1	7-21002-9	SCR, BTN SKT HD CAP 5/16-24 X 1.00	41
-	1	1	23241-6	BALL, STEEL	40
-	1	1	690170-1	SPRING, COMPRESSION	39
-	1	1	690142-4	DISC, INSULATION	38
-	1	1	354777-1	WIRE DISC, ASSEMBLY	37
-	1	1	22480-5	SPRING, COMPRESSION	36
-	1	1	690212-1	POST, RAM	35
-	6	6	21024-4	WASHER, SPRG LOCK, REG NO 8	32
-	2	2	2-21002-9	SCR, BTN SKT HD CAP 10-32 X .750	31
-	2	2	2-21002-2	SCR, BTN SKT HD CAP 8-32 X .500	29
-	1	1	1-690451-7	SPACER, STRIPPER	28
-	1	1	240639-1	STRIPPER (MACHINING)	27
-	2	2	22354-8	STUD, THREADED	25
-	1	1	455678-1	PLATE, STRIP GUIDE	24
-	2	2	4-22281-1	SPRING, DRAG	22
-	1	1	454177-1	DRAG	20
-	1	1	1-458030-1	STRIP GUIDE, REAR	19
-	1	1	1-458031-1	STRIP GUIDE, FRONT	18
-	4	4	3-21002-3	SCR, BTN SKT HD CAP 1/4-20 X .500	17
-	1	1	690481-7	SPACER, HOLD DOWN	13
-	1	1	23846-1	SPRING, DIE	12
-	1	1	240644-1	PLATE, REAR SHEAR	11
-	1	1	690482-6	PLATE, FRONT SHEAR	9
1	1	1	1-1633249-3	ANVIL, COMBINATION	8
-	1	1	690474-6	BLADE, SLUG	7
-	1	1	7-455892-9	HOLD DOWN, TERMINAL	6
-	1	1	3-240641-7	SPACER	5
-	1	1	238009-1	BLOCK, FL CRIMPER SPACER	4
1	1	1	2-1424909-9	CRIMPER, INSULATION F	3
1	1	1	1-455888-0	SPACER, CRIMPER	2
1	1	1	3-456404-0	CRIMPER, WIRE PREMIUM	1

REV	QTY	DESCRIPTION	ITEM NO		
-77	-2	-1	U/M PART NO	DESCRIPTION	ITEM NO

DIMENSIONS: INCHES 		TOLERANCES UNLESS OTHERWISE SPECIFIED: 0 PLC ±.001 1 PLC ±.001 2 PLC ±.001 3 PLC ±.001 4 PLC ±.001 ANGLES ±.0001		DWG: R. O. WILSON 11JAN2007 CHK: R. O. WILSON 11JAN2007 APVD: J. ELBIN 12JAN2007 NAME: J. ELBIN PRODUCT SPEC: - APPLICATION SPEC: - WEIGHT: - CUSTOMER DRAWING: -		Tyco Electronics Harrisburg, PA 17105-3608 END FEED HDM APPLICATOR SIZE: CAGE CODE DRAWING NO: A1 00779 SCALE: 3:5 SHEET 1 OF 1 REV A	
---------------------------	--	--	--	--	--	---	--

CUSTOMER VIEWABLE ASSEMBLY