

# Cable gland - G-INS-M25-L68N-PNES-LG - 1424472

Please be informed that the data shown in this PDF Document is generated from our Online Catalog. Please find the complete data in the user's documentation. Our General Terms of Use for Downloads are valid (<http://phoenixcontact.com/download>)




Cable gland, cable gland material: PA, external cable diameter 13 mm ... 18 mm, shielding: no, connecting thread: M25 x 1.5, color: lightgrey RAL 7035

## Your advantages

- ✔ Plastic material conforms to UL 746C f1



## Key Commercial Data

Packing unit	5 pc
GTIN	 4 055626 372624
GTIN	4055626372624

## Technical data

### Dimensions

Length	45.5 mm
Wrench size, union nut	33 mm
Wrench size, support	33 mm
Hexagon angular dimension	33.5 mm
Length of the connecting thread	10 mm
Feed-through hole diameter	25.1 mm ... 25.2 mm
External cable diameter	13 mm ... 18 mm
	13 mm ... 18 mm (for UL 514 B)

### Ambient conditions

Degree of protection (IP)	IP68 (5 bar / 0.5 h)
	IP66
Ambient temperature (operation)	-40 °C ... 100 °C (static)

### General

No. of conductors	1
-------------------	---

# Cable gland - G-INS-M25-L68N-PNES-LG - 1424472

## Technical data

### General

Cable gland material	PA
Cable seal material	CR
Flammability rating according to UL 94	V2
	V2 (Housing)
Shielded	no
Thread type connection side	M25 x 1.5
Thread type on connection side	M25
Torque	3.5 Nm (Union nut: EN 62444)
	3.5 Nm (Support: EN 62444)
	9 Nm (for UL514 B: union nut)
Color	lightgrey RAL 7035
Impact category	4
Execution of the strain relief	A
Assembly instructions	1) Mount screw connection support in the housing using the correct torque 2) Insert cable 3) Tighten union nut using the correct torque
Manufacturer	BIMED
Manufacturer Designation	BM-15

### Standards and Regulations

Flammability rating according to UL 94	V2
--	----

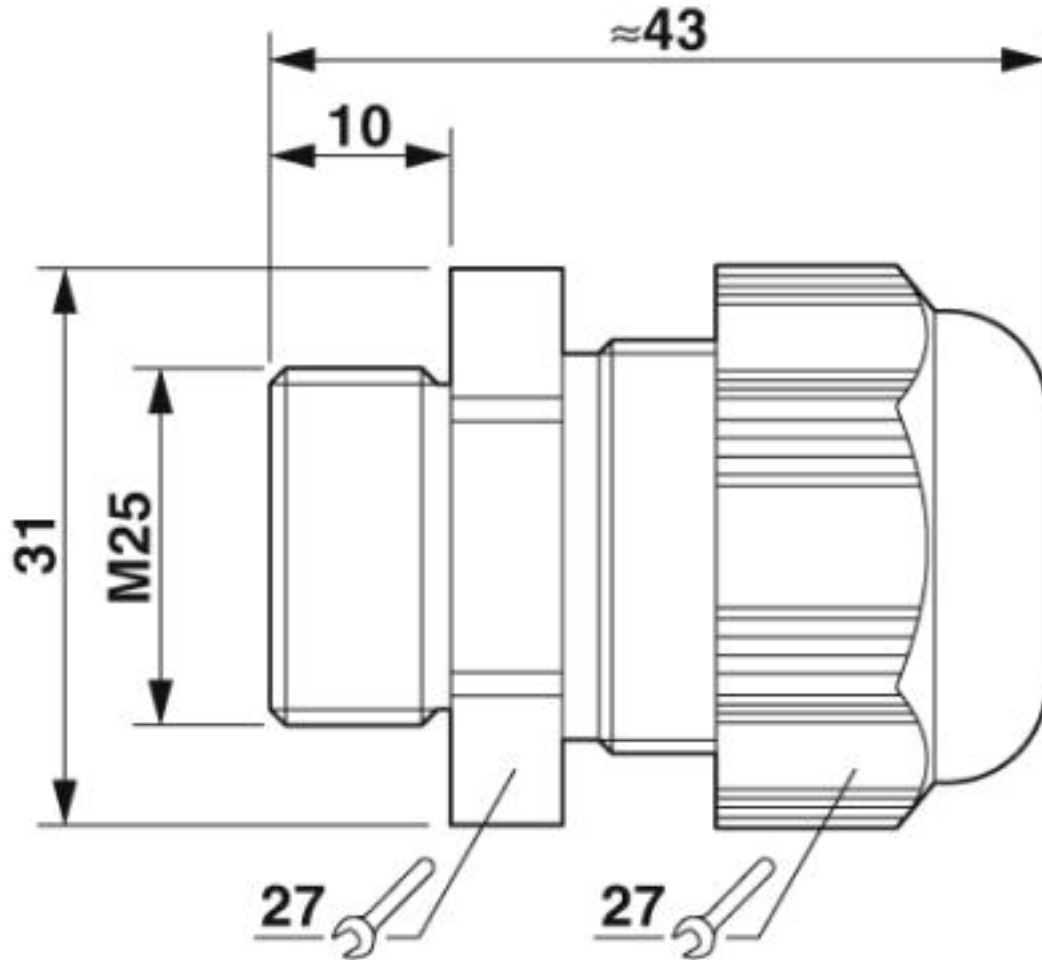
### Environmental Product Compliance

China RoHS	Environmentally friendly use period: unlimited = EFUP-e
	No hazardous substances above threshold values

## Drawings

# Cable gland - G-INS-M25-L68N-PNES-LG - 1424472

Dimensional drawing



Dimensional drawing

Approvals

Approvals

---

Approvals

CSA / UL Listed / cUL Listed / cULus Listed

---





Ex Approvals

---

Approval details

## Cable gland - G-INS-M25-L68N-PNES-LG - 1424472

### Approvals

CSA		<a href="http://www.csagroup.org/services-industries/product-listing/">http://www.csagroup.org/services-industries/product-listing/</a>	115116
UL Listed		<a href="http://database.ul.com/cgi-bin/XYV/template/LISEXT/1FRAME/index.htm">http://database.ul.com/cgi-bin/XYV/template/LISEXT/1FRAME/index.htm</a>	E199260
cUL Listed		<a href="http://database.ul.com/cgi-bin/XYV/template/LISEXT/1FRAME/index.htm">http://database.ul.com/cgi-bin/XYV/template/LISEXT/1FRAME/index.htm</a>	E199260
cULus Listed			

Phoenix Contact 2019 © - all rights reserved  
<http://www.phoenixcontact.com>

PHOENIX CONTACT GmbH & Co. KG  
Flachsmarktstr. 8  
32825 Blomberg  
Germany  
Tel. +49 5235 300  
Fax +49 5235 3 41200  
<http://www.phoenixcontact.com>