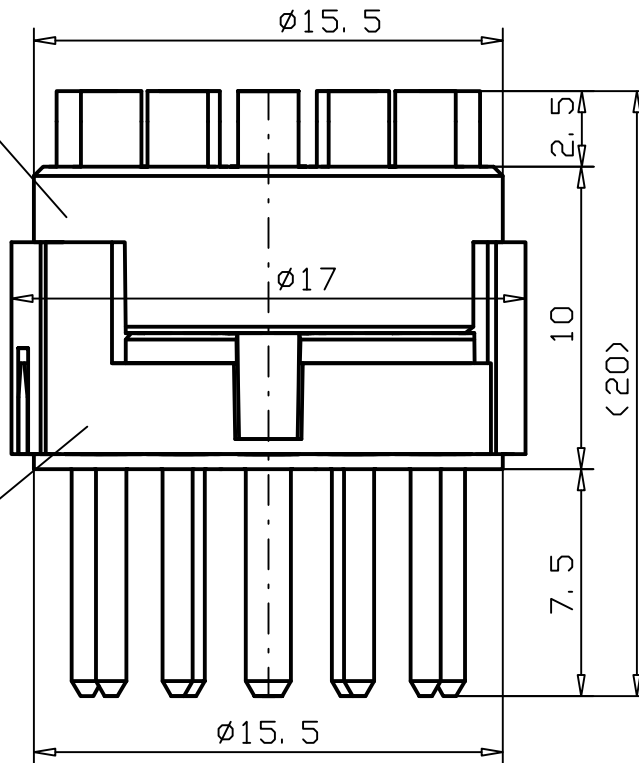


Lower part, Pins  
Unterteil, Stifte

Upper part, Pins  
Oberteil, Stifte



Notes:

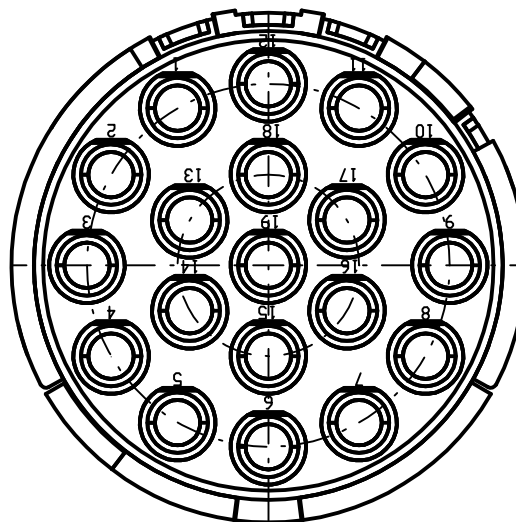
Packaging units: 5 pcs

Tolerances (unless specified): DIN ISO 2768 m

Bemerkungen:

Verpackungseinheit: 5 Stück

Toleranzen (sofern nichts anderes angegeben ist):  
DIN ISO 2768 m



DESCRIPTION EC NO: WEU2008-0019 DRWN: BBRAUCH 2008/05/13 CH'KD: LS 2008/05/23 APPR: REISSNER 2008/05/27	QUALITY SYMBOLS ▽ = 0 ◻ = 0	GENERAL TOLERANCES (UNLESS SPECIFIED)		DIMENSION STYLE MM		SCALE 4:1	DESIGN UNITS METRIC	FIRST ANGLE PROJECTION	
		4 PLACES ± ---- ± ---- 3 PLACES ± ---- ± ---- 2 PLACES ± ---- ± ---- 1 PLACE ± ---- ± ----	mm INCH	DRAWN BY BB	DATE 2008/05/13	M23 SIG INSERT MALE 19P SOLDER P/N: KISL6-55			
		ANGULAR ± --- °	CHECKED BY ---	DATE ---					
		DRAFT WHERE APPLICABLE MUST REMAIN WITHIN DIMENSIONS	APPROVED BY RE	DATE 2008/05/26	MATERIAL NO. 1202320053	DOCUMENT NO. SD-120232-053	MOLEX INCORPORATED		
	01	REV	THIS DRAWING CONTAINS INFORMATION THAT IS PROPRIETARY TO MOLEX INCORPORATED AND SHOULD NOT BE USED WITHOUT WRITTEN PERMISSION		SHEET NO. 1 OF 1				