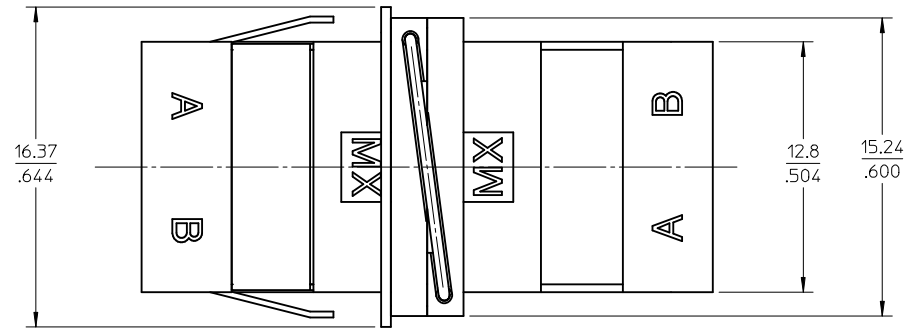
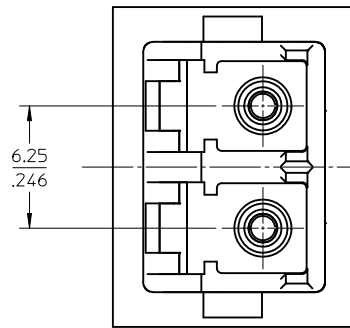
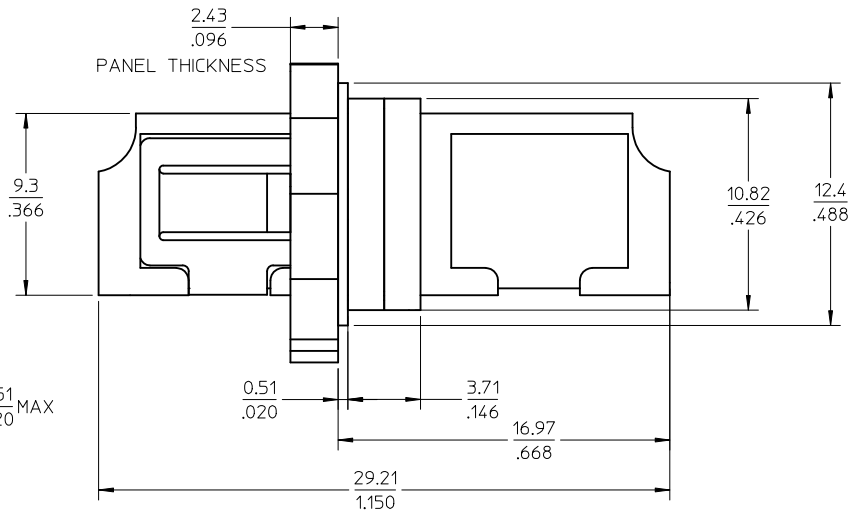


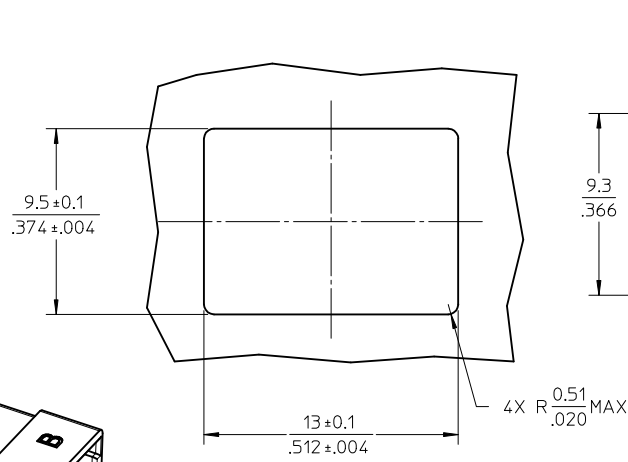
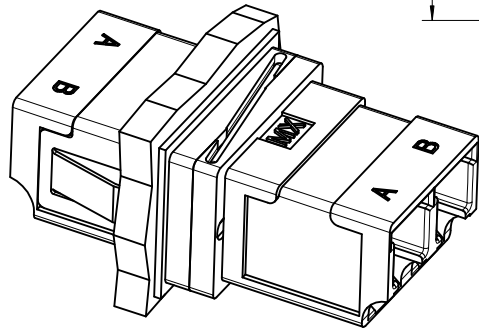
RECOMMENDED PANEL CUTOUT
PANEL THICKNESS-.096"



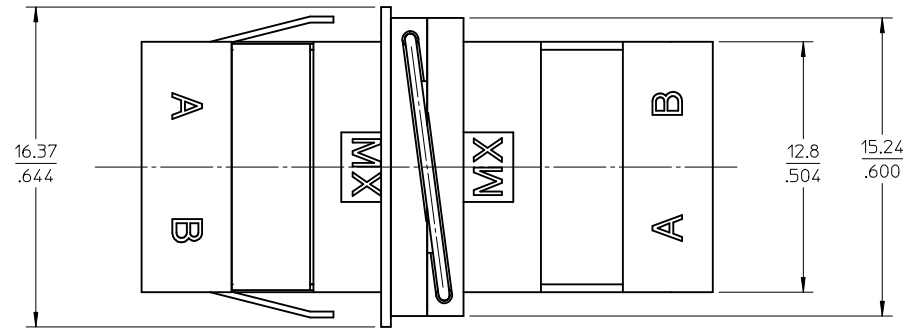
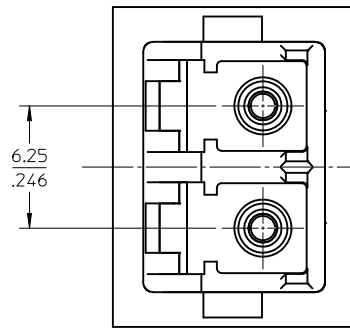
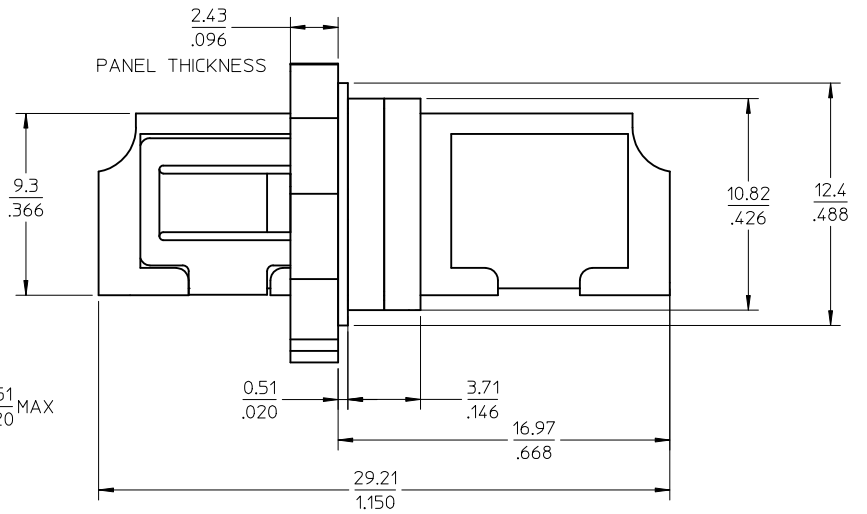
NOTES:

1. ALL DIMENSIONS ARE FOR REFERENCE ONLY.
2. EMI SHIELDING GASKET IS SUPPLIED WITH PART.
3. DUST CAPS NOT SHOWN

ENTER DESCRIPTION EC NO: MF2011-0542 DRAWN: YBEDNYAK 2011/06/07 CHKD: APPR: LGUMIN 2011/06/14 REV B	QUALITY SYMBOLS ▽=0 ▽=0	GENERAL TOLERANCES (UNLESS SPECIFIED) mm INCH 4 PLACES ± --- ± --- 3 PLACES ± --- ± --- 2 PLACES ± --- ± --- 1 PLACE ± --- ± --- ANGULAR ±1/2°	DIMENSION STYLE IN/MM DRAWN BY DATE PGIBLIN 2005/11/14 CHECKED BY DATE APPROVED BY DATE	SCALE 4:1 DESIGN UNITS INCH THIRD ANGLE PROJECTION	
	DRAFT WHERE APPLICABLE MUST REMAIN WITHIN DIMENSIONS		MATERIAL NO. 1061152140	TITLE LC-D EMI ADAPTER (SNAP MOUNT)	
			MOLEX INCORPORATED	DOCUMENT NO. SD-106115-2140	SHEET NO. 1 OF 1
	THIS DRAWING CONTAINS INFORMATION THAT IS PROPRIETARY TO MOLEX INCORPORATED AND SHOULD NOT BE USED WITHOUT WRITTEN PERMISSION				



RECOMMENDED PANEL CUTOUT
PANEL THICKNESS-.096"



NOTES:

1. ALL DIMENSIONS ARE FOR REFERENCE ONLY.
2. EMI SHIELDING GASKET IS SUPPLIED WITH PART.
3. DUST CAPS NOT SHOWN

ENTER DESCRIPTION EC NO: MF2011-0542 DRAWN: YBEDNYAK 2011/06/07 CHKD: APPR: LGUMIN 2011/06/14 REV B	QUALITY SYMBOLS ▽=0 ▽=0	GENERAL TOLERANCES (UNLESS SPECIFIED) mm INCH 4 PLACES ± --- ± --- 3 PLACES ± --- ± --- 2 PLACES ± --- ± --- 1 PLACE ± --- ± --- ANGULAR ±1/2°	DIMENSION STYLE IN/MM DRAWN BY DATE PGIBLIN 2005/11/14 CHECKED BY DATE APPROVED BY DATE	SCALE 4:1 DESIGN UNITS INCH THIRD ANGLE PROJECTION	
	DRAFT WHERE APPLICABLE MUST REMAIN WITHIN DIMENSIONS		MATERIAL NO. 1061152140	TITLE LC-D EMI ADAPTER (SNAP MOUNT)	
			MOLEX INCORPORATED	DOCUMENT NO. SD-106115-2140	SHEET NO. 1 OF 1
	THIS DRAWING CONTAINS INFORMATION THAT IS PROPRIETARY TO MOLEX INCORPORATED AND SHOULD NOT BE USED WITHOUT WRITTEN PERMISSION				