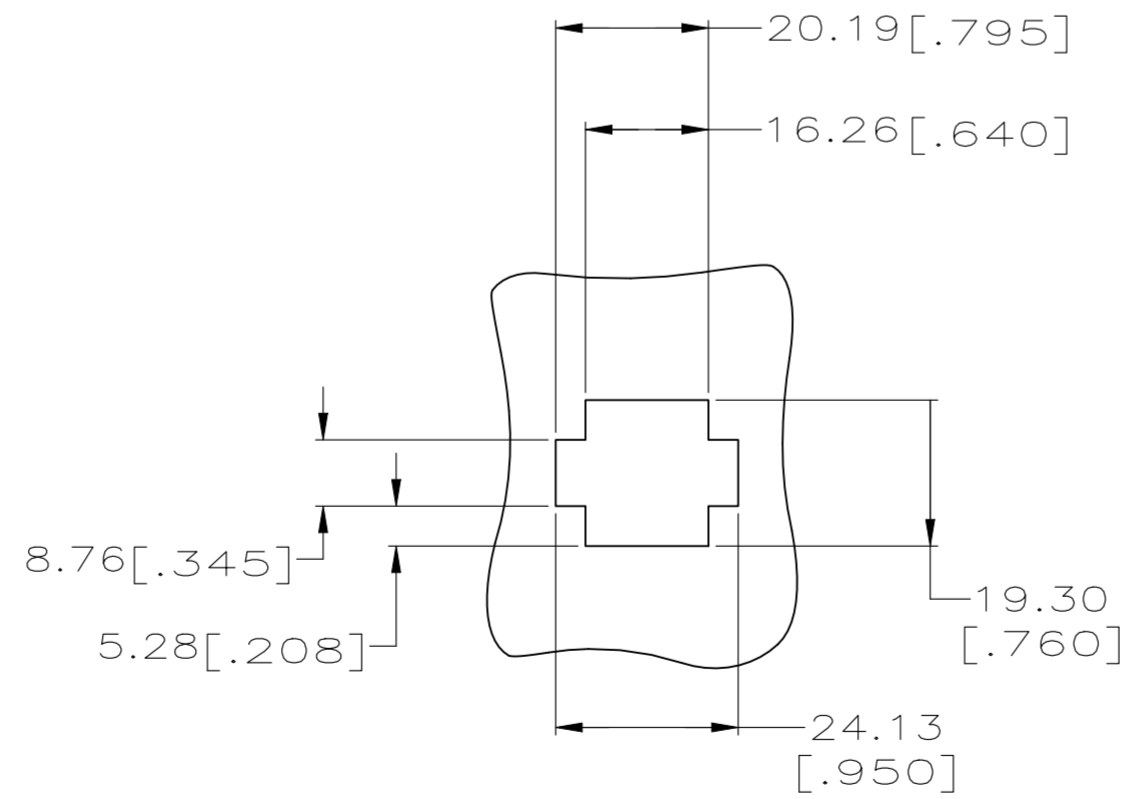
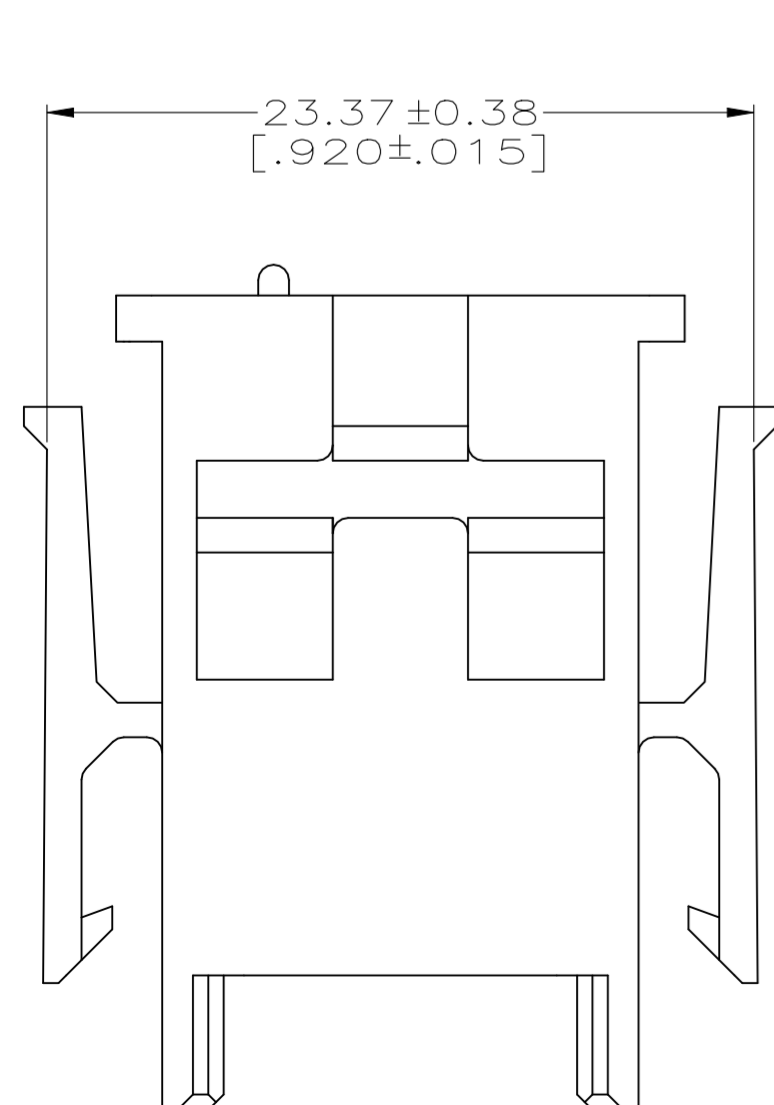
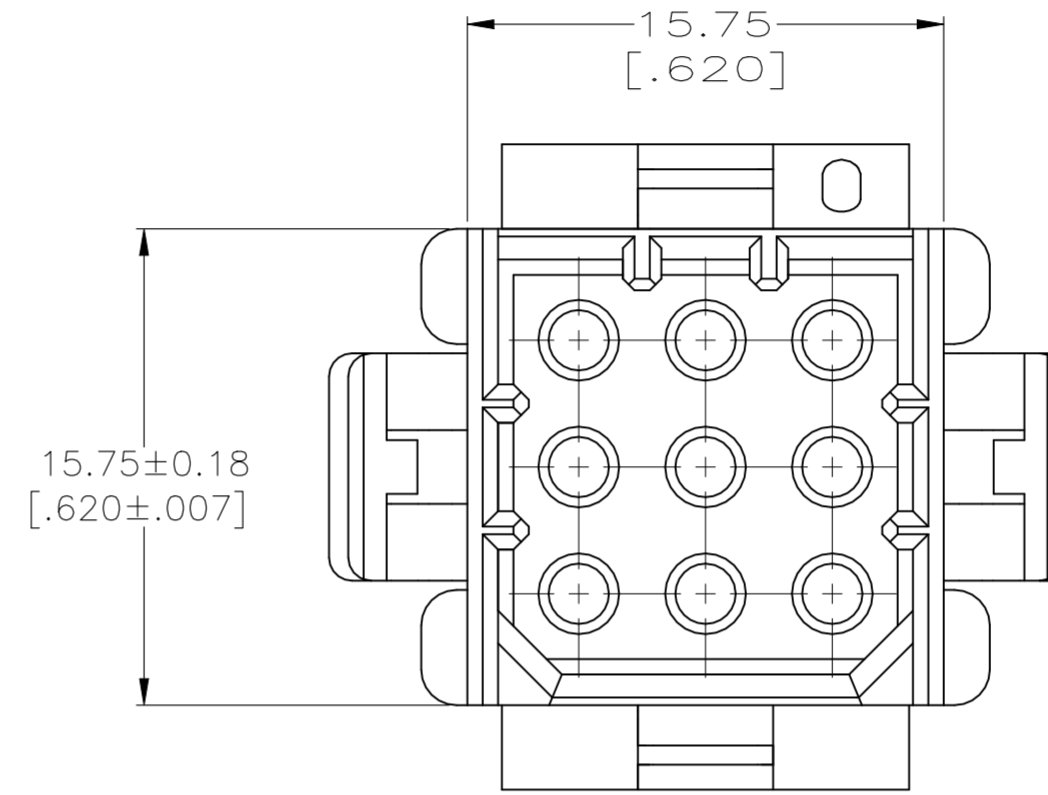
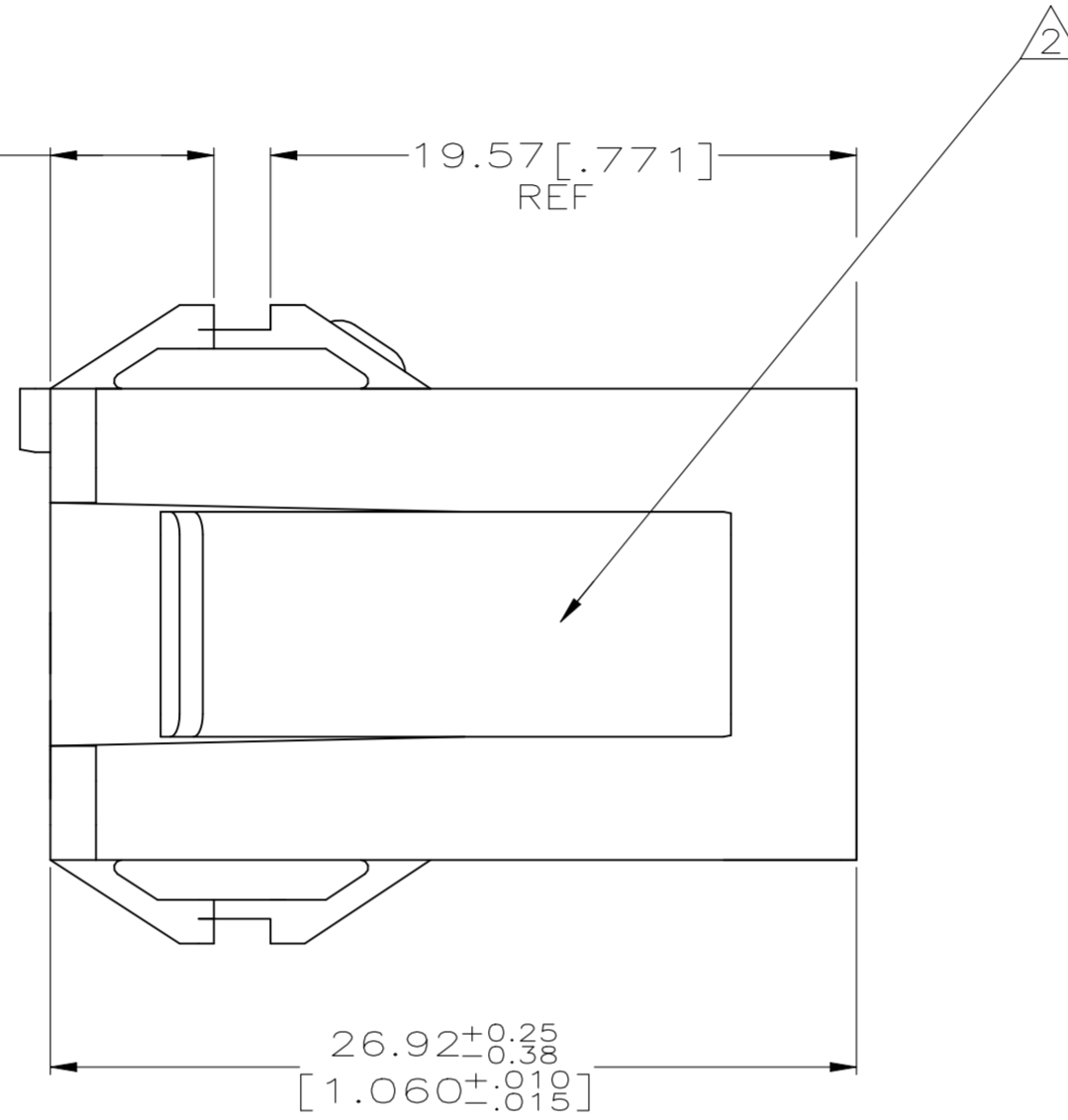
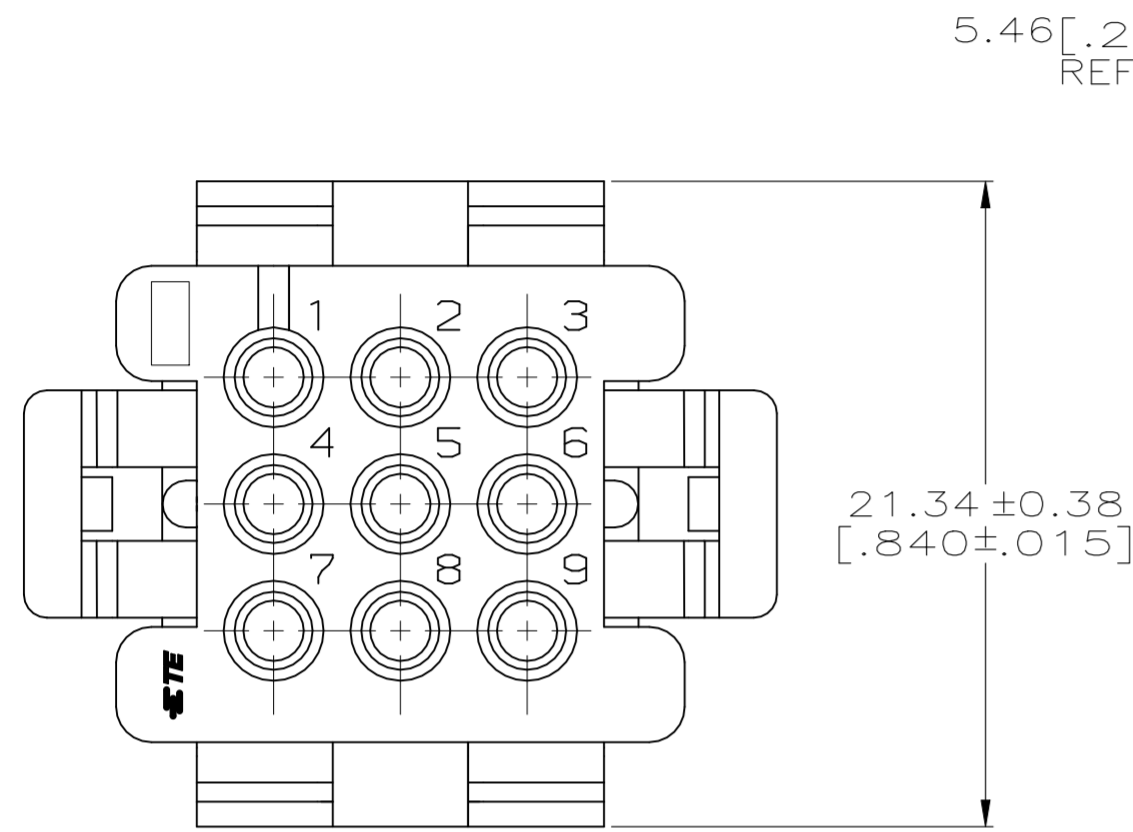


REVISIONS					
P	LTR	DESCRIPTION	DATE	DWN	APVD
E		ECO-21-006875	19OCT2021	RK	MZ

- 1. MATES WITH HOUSING 640521.
- 2. UL LOGO AND CSA LOGO TO APPEAR ON EITHER LATCH SURFACE PER AMP SPEC 202-20, I.D. NO. 1-18838-3 AND 1-18839-3. FROST BACKGROUND OPTIONAL.
- 3. DIMENSIONS IN BRACKETS ARE IN INCHES.
- 4. HOUSING MATERIAL: PA66, BLACK, UL 94 V-0 RATED



RECOMMENDED CUT OUT  
FOR 1.73[.068] MAX THICK PANEL  
SCALE 1:1



1-640511-0  
PART NUMBER

THIS DRAWING IS A CONTROLLED DOCUMENT.		DWN	R. VESTAL	7-12-96	 TE Connectivity
DIMENSIONS:		CHK	R. SWING	7-12-96	
mm [INCHES]		APVD	A. BEDDICK	7-12-96	
TOLERANCES UNLESS OTHERWISE SPECIFIED:		PRODUCT SPEC	NAME		
0 PLC	± -	APPLICATION SPEC	HOUSING, CAP		
1 PLC	± -	WEIGHT	MRLI		
2 PLC	± 0.13[.005]	CUSTOMER DRAWING	9 POSITION		
3 PLC	± -	SCALE	4:1	SHEET	1 OF 1
4 PLC	± -	REVISION	E		
ANGLES	± 0° 30'				
MATERIAL	FINISH				