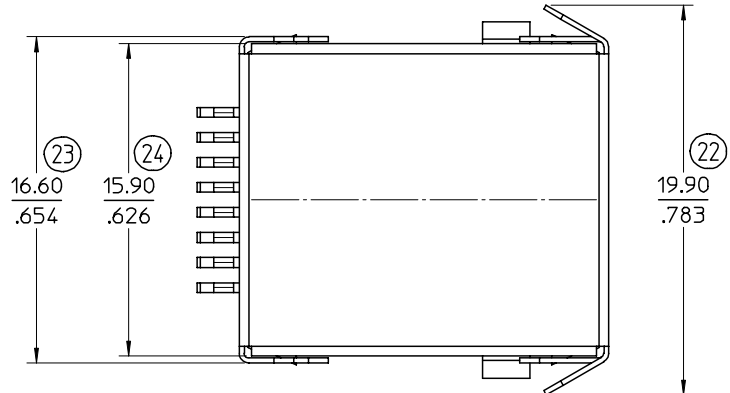
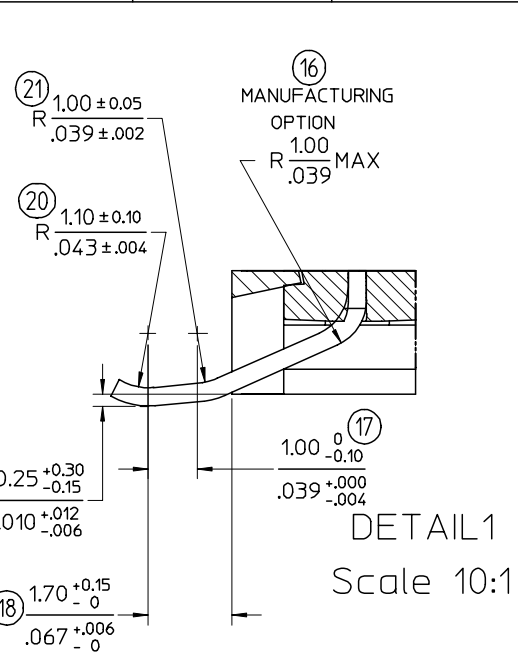
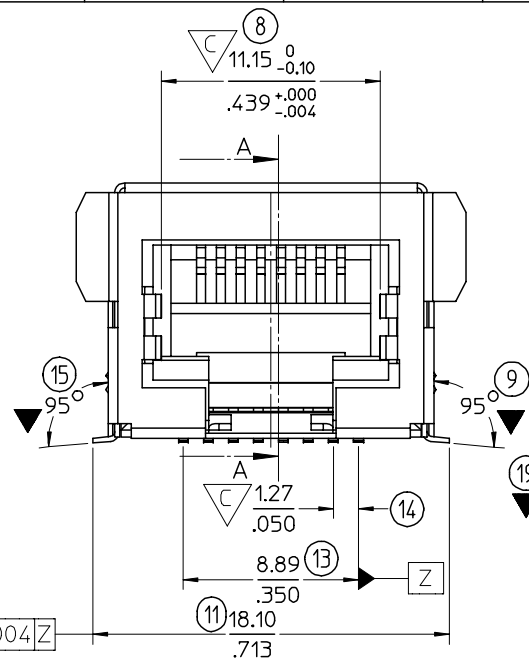
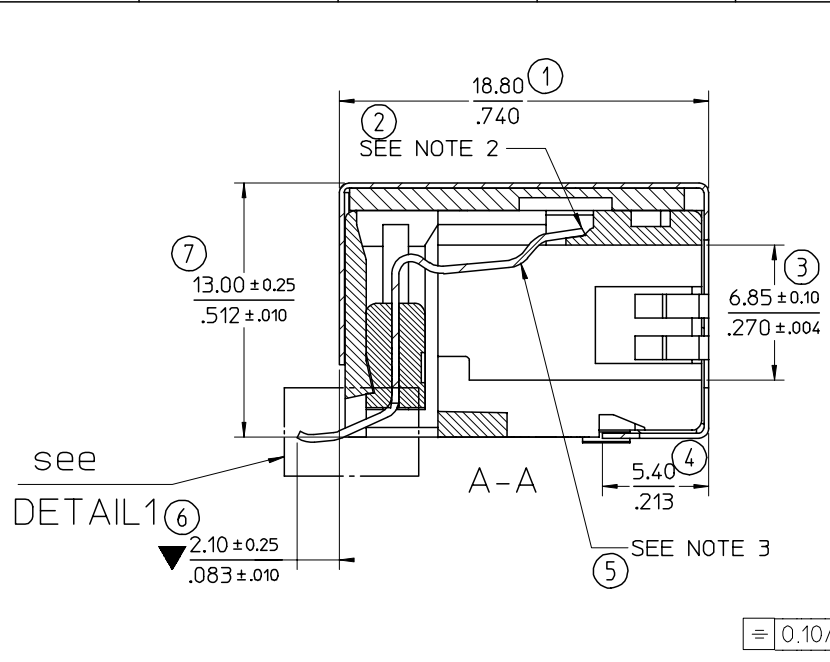


10 9 8 7 6 5 4 3 2 1

F  
E  
D  
C  
B

F  
E  
D  
C  
B



= 0.10/.004 Z

ENG No.	HOUSING SIZE	LOADED CKTS	HOUSING ENG.No.	MODULE ENG.No.	BLANK SHIELD ENG.No.	HOUSING WITH MODULE ENG.No.	PLASTIC COVER ENG.No.
95122-6884	8	8	95122-9883	95006-5189	95121-0803	95122-6803	95131-0881

- NOTES:
- MODULE AND SHIELD PUSH OUT FORCE 20 NEWTONS (4.40 lbs) MIN.
  - CUTTING BURRS NOT PERMISSABLE, TERMINALS MUST MOVE FREELY BETWEEN SEPARATING RIBS.
  - GOLD PLATING ON THIS SURFACE
  - COPLANARITY OF COLDER TAILS 0.10MAX
  - PACKAGING SPECIFICATION: PK-95122-003 (BLISTER ON REEL)

CREATED MODELS  
NEW DRAWING  
EC No: E2006-0826  
2006/04/06  
DRWN:DBYRNES  
2006/04/06  
CHKD:  
2006/04/11  
APPR:EDMAMONY

QUALITY SYMBOLS  
▽=4  
∇=3

GENERAL TOLERANCES (UNLESS SPECIFIED)

	mm	INCH
4 PLACES	± ---	± ---
3 PLACES	± ---	± .006
2 PLACES	± 0.15	± .010
1 PLACE	± 0.25	± ---
ANGULAR ± 2 °		

DRAFT WHERE APPLICABLE MUST REMAIN WITHIN DIMENSIONS

DIMENSION STYLE  
MM/IN

DRAWN BY DATE  
FB 1998/10/01

CHECKED BY DATE  
MF 1999/06/09

APPROVED BY DATE  
FB 1999/06/09

MATERIAL NO.  
95122-6884

SIZE  
A3

SCALE  
4:1

DESIGN UNITS  
METRIC

THIRD ANGLE PROJECTION

TITLE  
FULLY SHIELDED R/A ASSY  
MODULAR JACK  
8 CIRCUIT

MOLEX INCORPORATED

DOCUMENT NO.  
E-95122-008

SHEET NO.  
1 OF 1

THIS DRAWING CONTAINS INFORMATION THAT IS PROPRIETARY TO MOLEX INCORPORATED AND SHOULD NOT BE USED WITHOUT WRITTEN PERMISSION

9 8 7 6 5 4 3 2 1

10 9 8 7 6 5 4 3 2 1

F

E

D

C

B

A

F

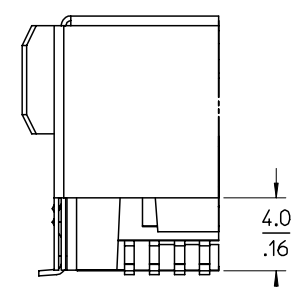
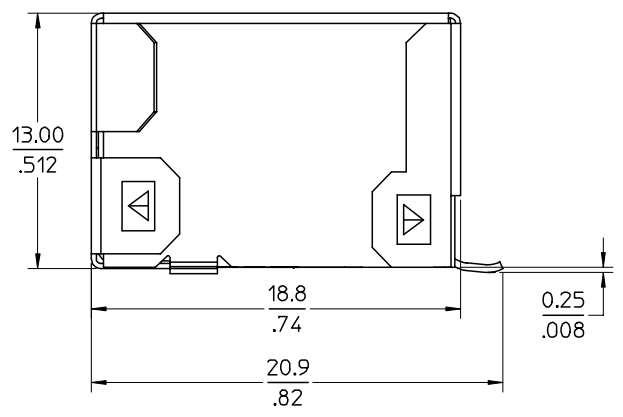
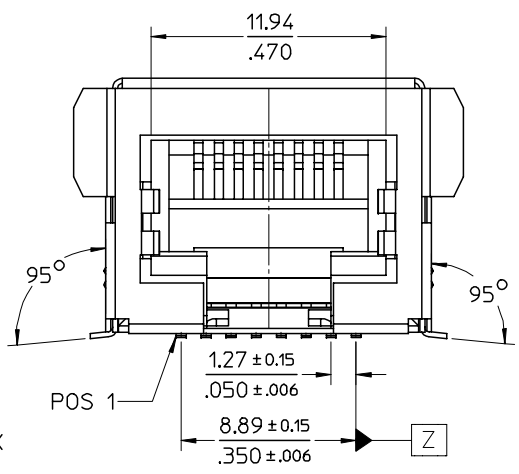
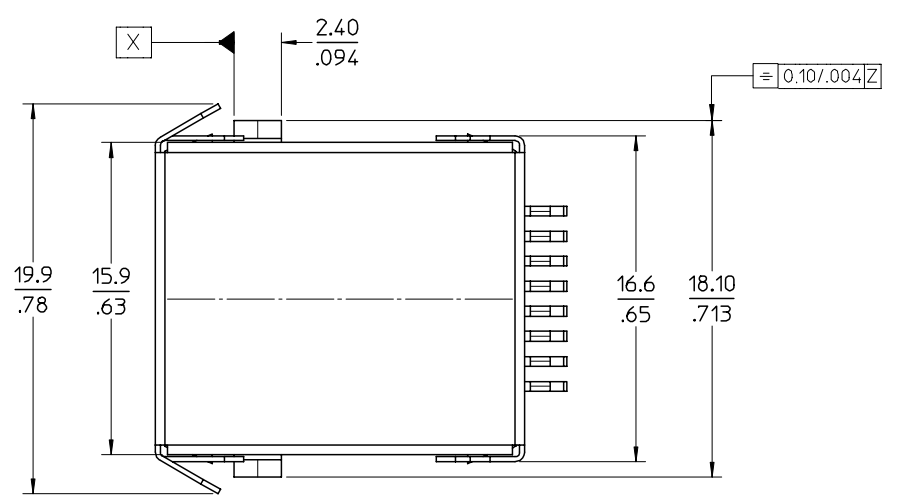
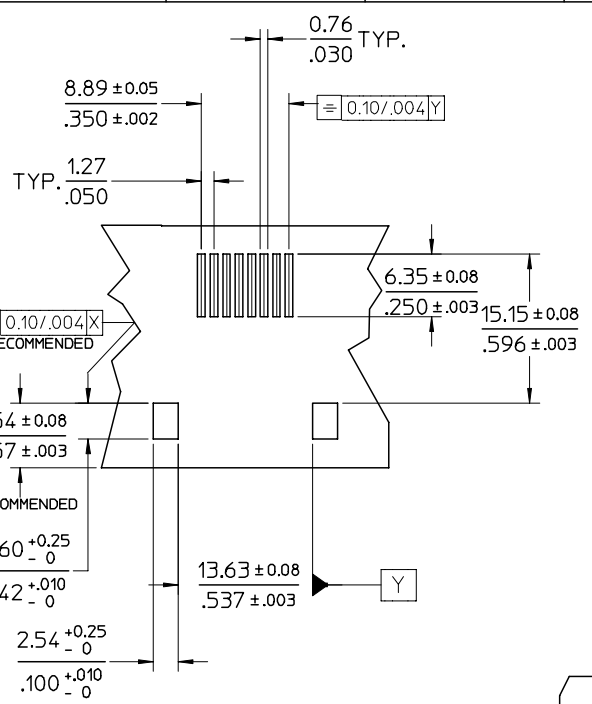
E

D

C

B

A



PARTIAL1  
Scale 4:1

**NOTES:**  
 1- JACK FOR MATING WITH SHIELDED PLUG (MOLEX 95043 AND 85568 SERIES)  
 2- PRODUCT SPECIFICATION: PS-95122  
 3- APPLICATION SPECIFICATION: AS-95001  
 4- PACKAGING SPECIFICATION: PK-95122-003 (BLISTER ON REEL)  
 5- COPLANARITY OF SIGNAL LEADS: 0.10MAX

**TECHNICAL SPECIFICATIONS:**

**MATERIAL:**  
 HOUSING: POLYAMIDE GLASS FILLED UL 94V-0 COLOUR BLACK.  
 TERMINAL: PHOSPHOR BRONZE PLATED WITH:  
 0.00127/.000050 MIN GOLD IN CONTACT AREA,  
 0.00190/.000075 MIN PURE TIN IN TAIL AREA, BOTH OVER 0.00127/.000050 MIN NICKEL OVERALL.  
 SHIELD: BRASS PLATED WITH 0.0020/.000078 MIN TIN.

NEW DRAWING  
 EC NO: E2006-0826  
 DRWN:DBYRNES 2006/04/06  
 CHKD: 2006/04/06  
 APPR:EOMAHONY 2006/04/11

QUALITY SYMBOLS  
 ▽=0  
 ▽=0

GENERAL TOLERANCES (UNLESS SPECIFIED)	
mm	INCH
4 PLACES ± ---	± ---
3 PLACES ± ---	± .010
2 PLACES ± 0.25	± .014
1 PLACE ± 0.35	± ---
ANGULAR ± 2 °	

DRAFT WHERE APPLICABLE MUST REMAIN WITHIN DIMENSIONS

DIMENSION STYLE	
MM/IN	DATE
DRAWN BY	FB
CHECKED BY	MF
APPROVED BY	FB
MATERIAL NO.	95122-6884

SCALE	DESIGN UNITS	THIRD ANGLE PROJECTION
4:1	METRIC	THIRD ANGLE PROJECTION
TITLE: FULLY SHIELDED TRUE SMT RIGHT ANGLE MODULAR JACK 8 CIRCUIT		
MOLEX INCORPORATED		
DOCUMENT NO.	SD-95122-006	SHEET NO. 1 OF 1
THIS DRAWING CONTAINS INFORMATION THAT IS PROPRIETARY TO MOLEX INCORPORATED AND SHOULD NOT BE USED WITHOUT WRITTEN PERMISSION		

9 8 7 6 5 4 3 2 1