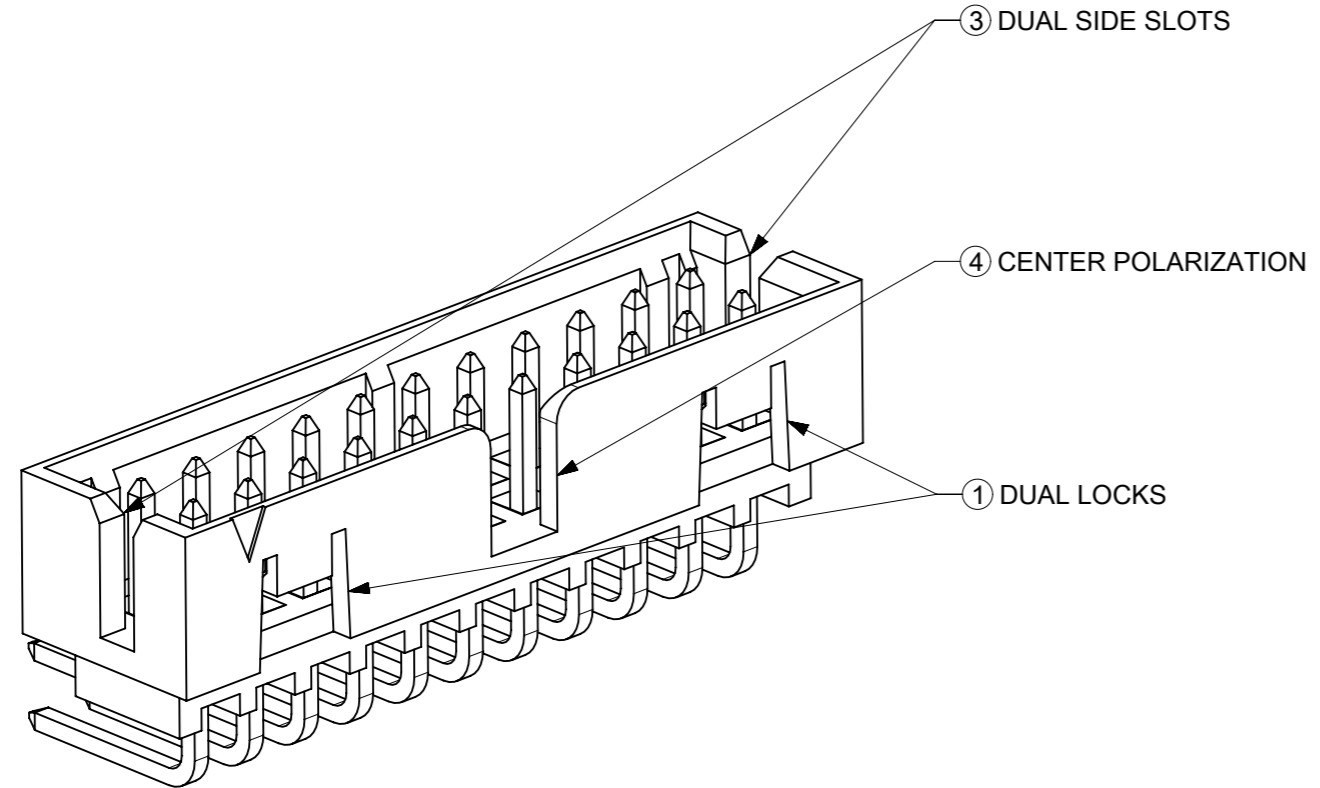
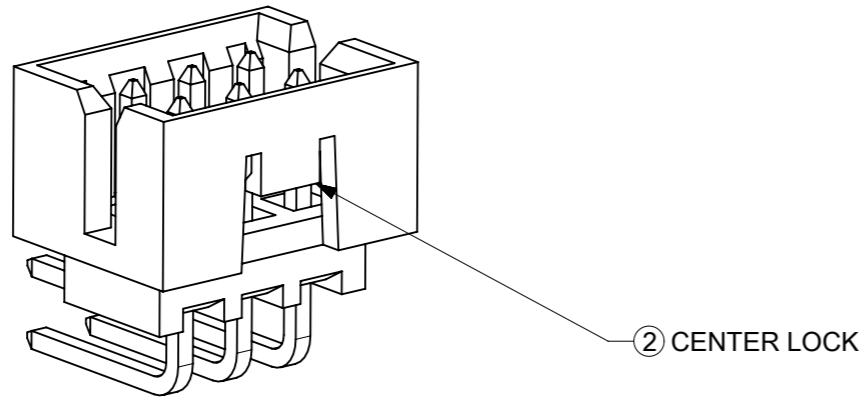


# FEATURES SELECTION GUIDE

| CIRCUIT SIZE | FEATURES       |          |                   |                       | SHEET NO |
|--------------|----------------|----------|-------------------|-----------------------|----------|
|              | FRICTION LOCKS |          | ③ DUAL SIDE SLOTS | ④ CENTER POLARIZATION |          |
|              | ① DUAL         | ② CENTER |                   |                       |          |
| 4 TO 6       | N.A            | N.A      | YES               | N.A                   | 2 - 3    |
|              | N.A            | YES      | YES               | N.A                   |          |
| 8 TO 12      | N.A            | N.A      | YES               | YES                   | 4 - 5    |
|              | N.A            | YES      | YES               | N.A                   |          |
| 14 TO 50     | YES            | N.A      | YES               | YES                   | 6 - 9    |
|              | N.A            | N.A      | YES               | YES                   |          |

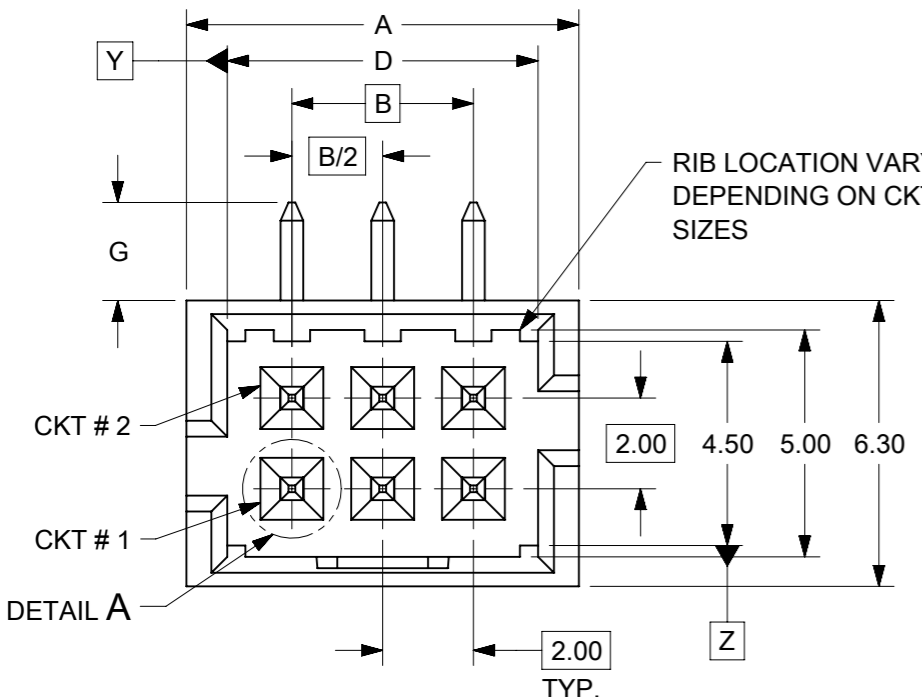


## PACKAGING SPECIFICATION TABLE

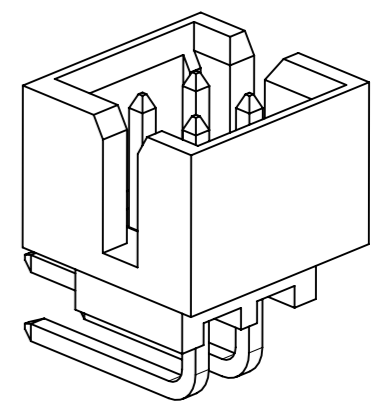
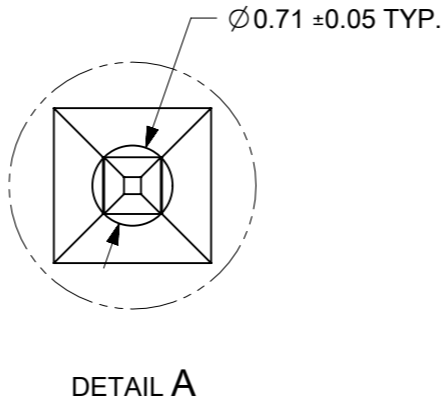
|  |              |
|--|--------------|
| TAPE AND REEL PACKAGING                                      | PK-87831-300 |
| TUBE STANDARD PACKAGING                                      | PK-87831-001 |
| TUBE NON-STANDARD PACKAGING FOR:<br>87833-0861<br>87833-1420 | PK-87831-002 |

THIS DRAWING CONTAINS INFORMATION THAT IS PROPRIETARY TO MOLEX ELECTRONIC TECHNOLOGIES, LLC AND SHOULD NOT BE USED WITHOUT WRITTEN PERMISSION

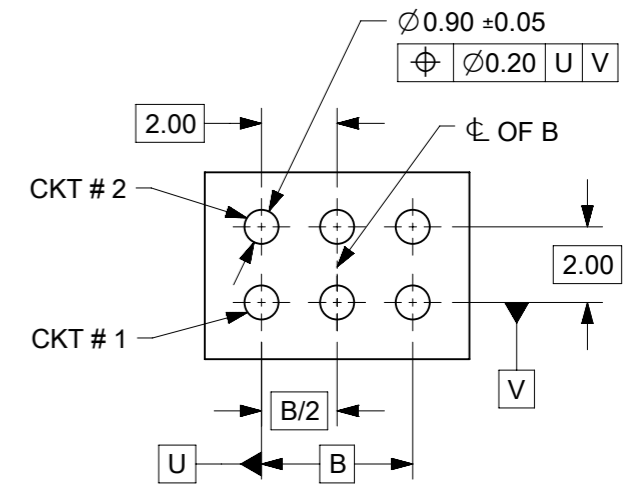
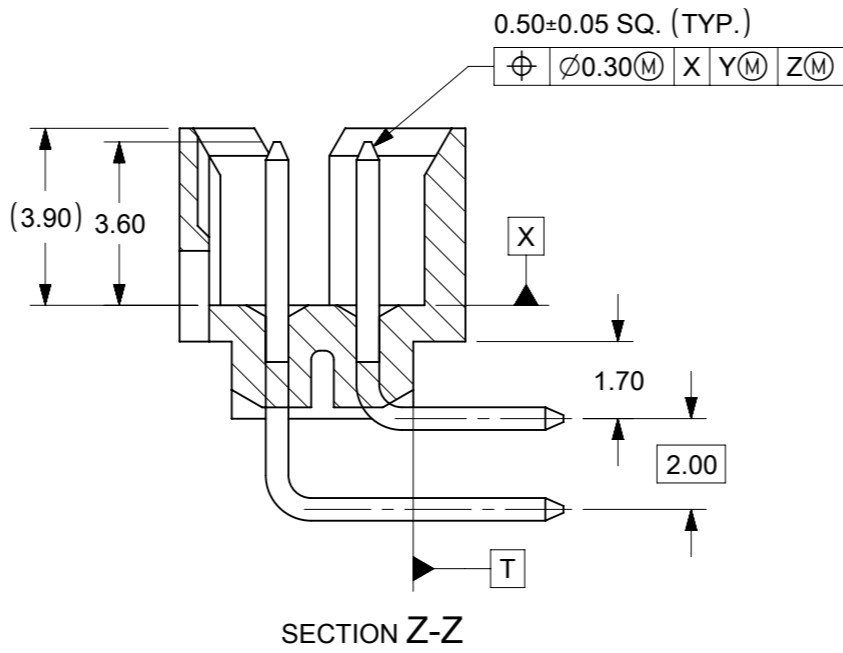
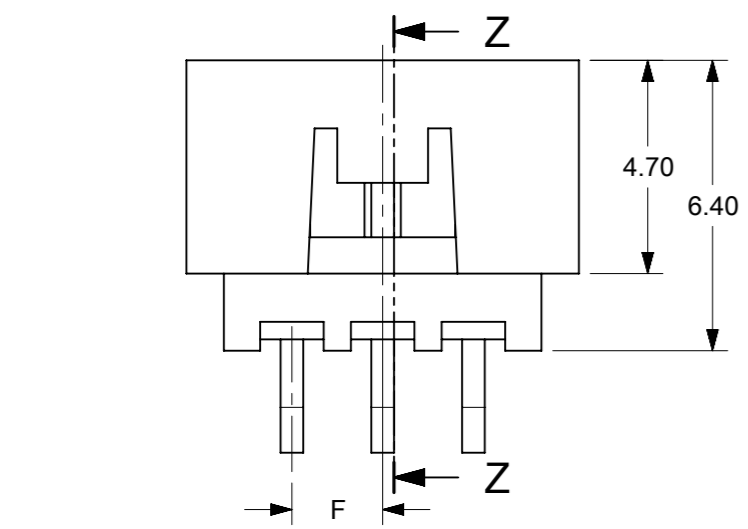
|   |            |  |         |                 |                        |                          |   |                |              |
|---|------------|--|---------|-----------------|------------------------|--------------------------|---|----------------|--------------|
| EC NO: 727481<br>DRWN: DANUSA<br>CHK'D: DANUSA<br>REV APPR: MIRAMAKRISHNA | 2022/11/07 | GENERAL TOLERANCES (UNLESS SPECIFIED)                |         | DIMENSION UNITS | SCALE                  |                          |   |                |              |
|   | 2022/11/07 | MM   | INCH    | MM              | NTS                    |                          |   |                |              |
|   | 2022/11/07 | 4 PLACES ±   | ±       | DRWN BY         | DATE                   |                          | MILLIGRID, 2MM PITCH<br>SHROUDED HEADER R/A, THROUGH HOLE |                |              |
|   |            | 3 PLACES ±   | ±       | GMENARLY        | 2015/09/29             |                          |   |                |              |
|   |            | 2 PLACES ± 0.2                                       | ±       | CHK'D BY        | DATE                   |                          |   |                |              |
|   | 1 PLACES ± | ±  | CGOH    | 2015/10/30      |                        |                          |   |                |              |
|   | 0 PLACES ± | ±  | APPR BY | DATE            |                        |                          |   |                |              |
|   |            |  |         | KHLIM           | 2015/11/03             | PRODUCT CUSTOMER DRAWING |   |                |              |
|   |            | ANGULAR TOL = 3.0                                    |         | DRAWING SIZE    | THIRD ANGLE PROJECTION | SERIES                   | MATERIAL NUMBER   | CUSTOMER       |              |
|   |            |  |         | A3              |                        | 87833                    | SEE TABLE   | GENERAL MARKET |              |
|   |            | DRAFT WHERE APPLICABLE MUST REMAIN WITHIN DIMENSIONS |         |                 |                        | DOCUMENT NUMBER          | DOC TYPE  | DOC PART       | SHEET NUMBER |
| A14   |            |  |         |                 |                        | SD-87833-0001            | PSD   | 001            | 1 OF 9       |



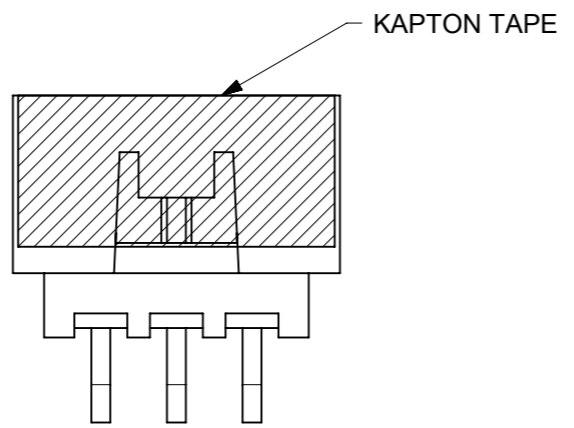
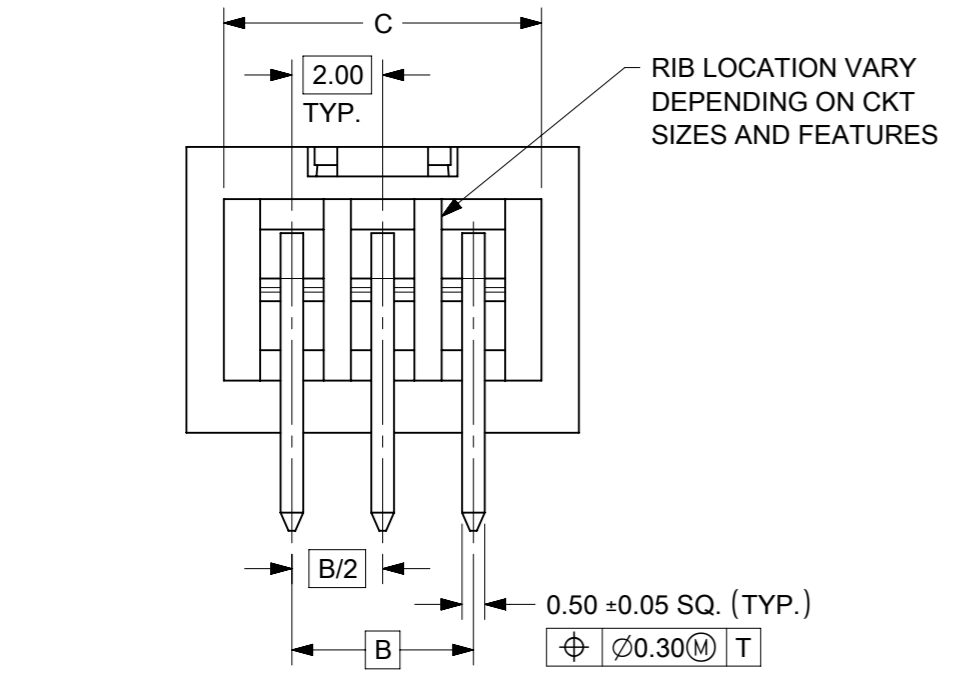
4 TO 6 CIRCUITS



ISO VIEW OF HEADER  
DUAL SIDE SLOTS



RECOMMENDED PCB LAYOUT



- NOTES:
1. MATERIALS:  
HOUSING: 30% GF, NYLON, UL94V-0, COLOR: BLACK.  
PIN: 0.50mm SQ. PHOSPHOR BRONZE.
  2. FINISHES: REFER TO PLATING OPTIONS.
  3. PRODUCT SPECIFICATION: PS-87831-027
  4. PACKAGING SPECIFICATION: SEE PACKAGING SPECS TABLE ON SHEET 1
  5. MATES WITH: A. MOLEX CRIMP RECEPTACLE HOUSING: 51110 SERIES AND CRIMP TERMINAL: 50394 SERIES.  
B. MOLEX 2MM MILLIGRID DUAL ROW IDT: 87568 SERIES.  
C. MOLEX 2MM MILLIGRID DUAL ROW RECEPTACLE: 79107 (GOLD PLATED), 78787 (TIN PLATED)
  6. FOR ILLUSTRATION PURPOSE, 6 CIRCUITS HEADER IS SHOWN.

THIS DRAWING CONTAINS INFORMATION THAT IS PROPRIETARY TO MOLEX ELECTRONIC TECHNOLOGIES, LLC AND SHOULD NOT BE USED WITHOUT WRITTEN PERMISSION

|   |            |  |         |                 |                          |                 |   |                |              |
|---|------------|--|---------|-----------------|--------------------------|-----------------|---|----------------|--------------|
| EC NO: 727481<br>DRWN: DANUSA<br>CHK'D: DANUSA<br>REV APPR: MIRAMAKRISHNA | 2022/11/07 | GENERAL TOLERANCES (UNLESS SPECIFIED)                |         | DIMENSION UNITS | SCALE                    |                 |   |                |              |
|   | 2022/11/07 | MM   | INCH    | MM              | NTS                      |                 |   |                |              |
|   | 2022/11/07 | 4 PLACES ±   | ±       | DRWN BY         | DATE                     |                 | MILLIGRID, 2MM PITCH<br>SHROUDED HEADER R/A, THROUGH HOLE |                |              |
|   |            | 3 PLACES ±   | ±       | GMENARLY        | 2015/09/29               |                 |   |                |              |
|   |            | 2 PLACES ± 0.2                                       | ±       | CHK'D BY        | DATE                     |                 |   |                |              |
|   | 1 PLACES ± | ±  | CGOH    | 2015/10/30      |                          |                 |   |                |              |
|   | 0 PLACES ± | ±  | APPR BY | DATE            |                          |                 |   |                |              |
|   |            |  | KHLIM   | 2015/11/03      | PRODUCT CUSTOMER DRAWING |                 |   |                |              |
|   |            | ANGULAR TOL = 3.0                                    |         | DRAWING SIZE    | THIRD ANGLE PROJECTION   | SERIES          | MATERIAL NUMBER   | CUSTOMER       |              |
|   |            | DRAFT WHERE APPLICABLE MUST REMAIN WITHIN DIMENSIONS |         | A3              |                          | 87833           | SEE TABLE   | GENERAL MARKET |              |
|   |            |  |         |                 |                          | DOCUMENT NUMBER | DOC TYPE  | DOC PART       | SHEET NUMBER |
|   |            |  |         |                 |                          | SD-87833-0001   | PSD   | 001            | 2 OF 9       |


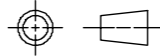
4 TO 6 CIRCUITS

| CKT SIZE | ASSY. P/N WITHOUT KAPTON IN TUBE | ASSY. P/N WITH KAPTON IN TUBE | ASSY. P/N WITH KAPTON IN T&R | PLATING OPTIONS | FRICTION LOCKS |        | DUAL SIDE SLOTS | CENTER POLARIZATION | DIMENSION |      |      |      |     |      |                 |     |      |      |
|----------|----------------------------------|-------------------------------|------------------------------|-----------------|----------------|--------|-----------------|---------------------|-----------|------|------|------|-----|------|-----------------|-----|------|------|
|          |                                  |                               |                              |                 | DUAL           | CENTER |                 |                     | A         | B    | C    | D    | E   | F    | G (SOLDER TAIL) |     |      |      |
| 4        | 87833-0419                       | N.A                           | N.A                          | 1               | N.A            | N.A    | YES             | N.A                 | 6.65      | 2.00 | 5.00 | 4.85 | N.A | N.A  | 2.16            |     |      |      |
|          | 87833-0420                       | N.A                           | N.A                          | 2               |                |        |                 |                     |           |      |      |      |     |      |                 |     |      |      |
|          | 87833-0421                       | N.A                           | N.A                          | 3               |                |        |                 |                     |           |      |      |      |     |      |                 |     |      |      |
|          | 87833-5920                       | N.A                           | N.A                          | 2               | N.A            | N.A    | YES             | N.A                 |           |      |      |      |     | N.A  | N.A             | N.A | 1.00 | 2.16 |
|          | 87833-0431                       | 87833-0441                    | 87833-0451                   | 2               | N.A            | YES    | YES             | N.A                 |           |      |      |      |     | 1.00 | 3.18            |     |      |      |
|          | 87833-0432                       | N.A                           | N.A                          | 3               | N.A            | YES    | YES             | N.A                 |           |      |      |      |     | 1.00 | 3.18            |     |      |      |
|          | 87833-0461                       | N.A                           | N.A                          | 2               | N.A            | YES    | YES             | N.A                 |           |      |      |      |     | 1.00 | 3.18            |     |      |      |
| 6        | 87833-0619                       | N.A                           | N.A                          | 1               | N.A            | N.A    | YES             | N.A                 | 8.65      | 4.00 | 7.00 | 6.85 | N.A | N.A  | 2.16            |     |      |      |
|          | 87833-0620                       | N.A                           | 87833-0626                   | 2               |                |        |                 |                     |           |      |      |      |     |      |                 |     |      |      |
|          | 87833-0621                       | N.A                           | N.A                          | 3               |                |        |                 |                     |           |      |      |      |     |      |                 |     |      |      |
|          | 87833-6420                       | N.A                           | N.A                          | 2               | N.A            | N.A    | YES             | N.A                 |           |      |      |      |     | N.A  | 3.18            |     |      |      |
|          | 87833-0631                       | 87833-0641                    | 87833-0651                   | 2               | N.A            | YES    | YES             | N.A                 |           |      |      |      |     | 2.00 | 2.16            |     |      |      |
|          | 87833-0632                       | N.A                           | N.A                          | 3               | N.A            | YES    | YES             | N.A                 |           |      |      |      |     | 2.00 | 3.18            |     |      |      |
|          | 87833-0661                       | N.A                           | N.A                          | 2               | N.A            | YES    | YES             | N.A                 |           |      |      |      |     | 2.00 | 3.18            |     |      |      |
|          | 87833-0624                       | N.A                           | N.A                          | 2               | N.A            | N.A    | YES             | N.A                 |           |      |      |      |     | N.A  | 2.92            |     |      |      |
|          | 87833-0625                       | N.A                           | N.A                          | 3               | N.A            | N.A    | YES             | N.A                 |           |      |      |      |     | N.A  | 2.92            |     |      |      |

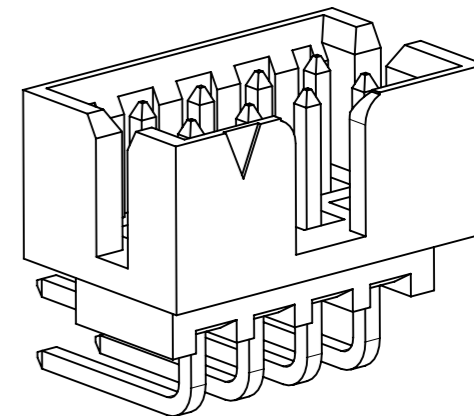
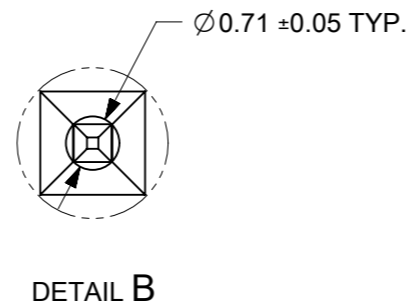
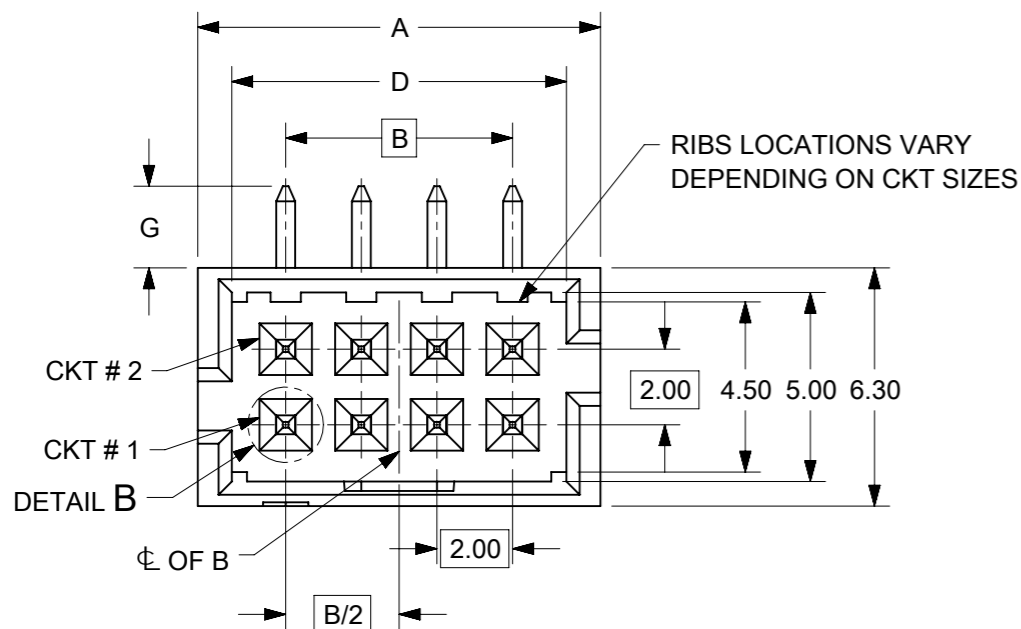
PLATING OPTIONS:

- 1 - 0.05-0.13µm/2-5µin GOLD IN CONTACT AREA AND  
1.88µm/75µin MIN. MATTE TIN IN SOLDER TAIL AREA OVER  
1.27µm/50µin MIN. NICKEL OVERALL.
- 2 - 0.38µm/15µin MIN. GOLD IN CONTACT AREA AND  
1.88µm/75µin MIN. MATTE TIN IN SOLDER TAIL AREA OVER  
1.27µm/50µin MIN. NICKEL OVERALL.
- 3 - 0.76µm/30µin MIN. GOLD IN CONTACT AREA AND  
1.88µm/75µin MIN. MATTE TIN IN SOLDER TAIL AREA OVER  
1.27µm/50µin MIN. NICKEL OVERALL.

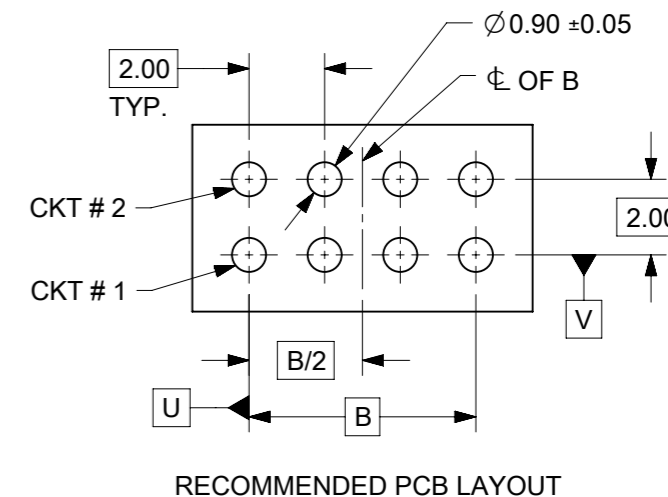
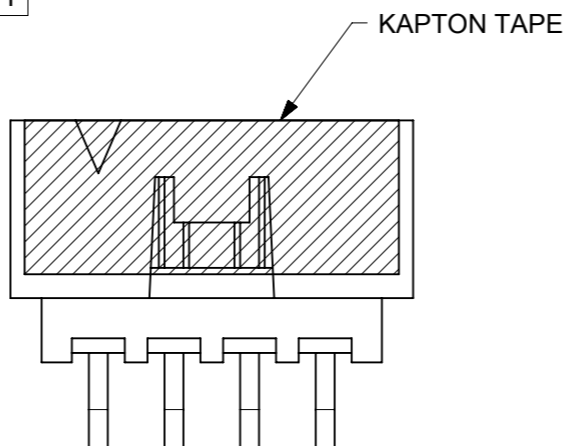
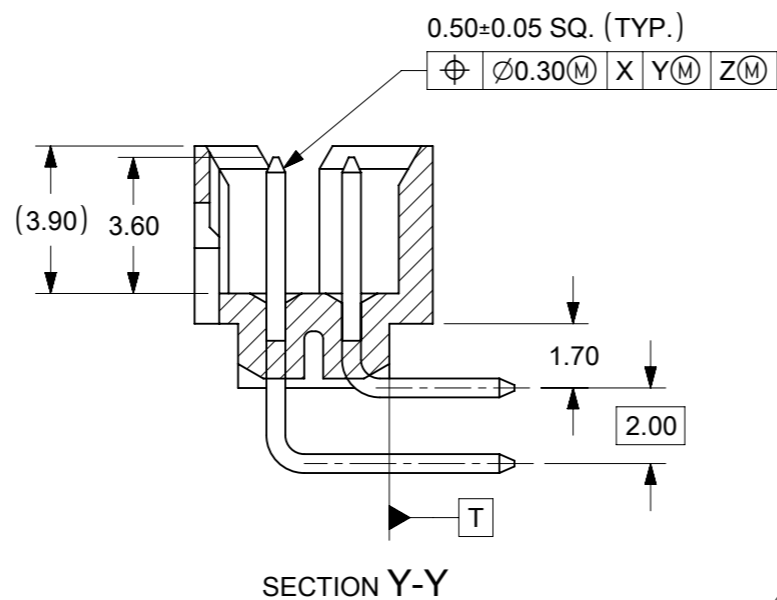
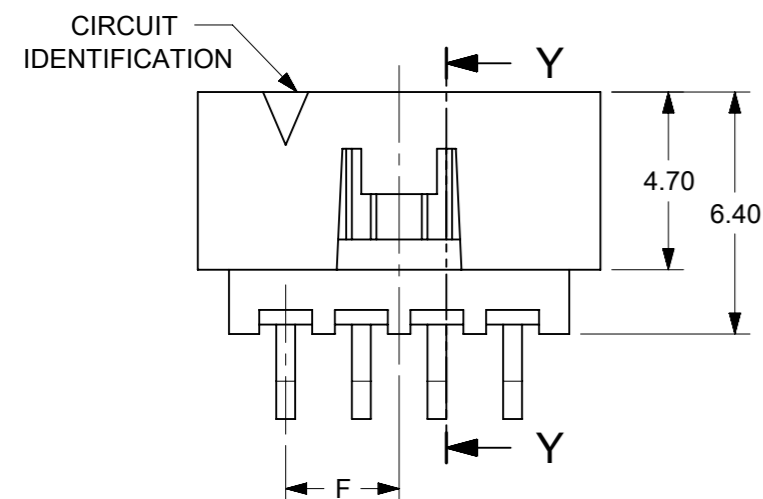
THIS DRAWING CONTAINS INFORMATION THAT IS PROPRIETARY TO MOLEX ELECTRONIC TECHNOLOGIES, LLC AND SHOULD NOT BE USED WITHOUT WRITTEN PERMISSION

|   |            |            |  |                                       |                 |                 |   |                        |          |   |              |   |  |
|---|------------|------------|--|---------------------------------------|-----------------|-----------------|---|------------------------|----------|---|--------------|---|--|
| EC NO: 727481<br>DRWN: DANUSA<br>CHK'D: DANUSA<br>REV APPR: MIRAMAKRISHNA | 2022/11/07 | 2022/11/07 | 2022/11/07   | GENERAL TOLERANCES (UNLESS SPECIFIED) |                 | DIMENSION UNITS |   | SCALE                  |          |          |              |   |  |
|   |            |            |  | MM                                    | INCH            | MM              | NTS   |                        |          |   |              |   |  |
|   |            |            |  | 4 PLACES ±                            | ±               | DRWN BY         | DATE  | GMENARLY               |          | 2015/09/29  |              | MILLIGRID, 2MM PITCH<br>SHROUDED HEADER R/A, THROUGH HOLE |  |
|   |            |            |  | 3 PLACES ±                            | ±               | CHK'D BY        | DATE  | CGOH                   |          | 2015/10/30  |              |   |  |
|   |            |            |  | 2 PLACES ± 0.2                        | ±               | APPR BY         | DATE  | KHLIM                  |          | 2015/11/03  |              |   |  |
|   |            |            |  | 1 PLACES ±                            | ±               | DRAWING SIZE    |   | THIRD ANGLE PROJECTION |          | PRODUCT CUSTOMER DRAWING<br>SERIES: 87833 MATERIAL NUMBER: SEE TABLE CUSTOMER: GENERAL MARKET |              |   |  |
|   |            |            | 0 PLACES ±   | ±                                     | A3              |                 |  |                        |          |   |              |   |  |
|   |            |            | ANGULAR TOL = 3.0                                    |                                       | DOCUMENT NUMBER |                 | DOC TYPE  |                        | DOC PART |   | SHEET NUMBER |   |  |
|   |            |            | DRAFT WHERE APPLICABLE MUST REMAIN WITHIN DIMENSIONS |                                       | SD-87833-0001   |                 | PSD   |                        | 001      |   | 3 OF 9       |   |  |

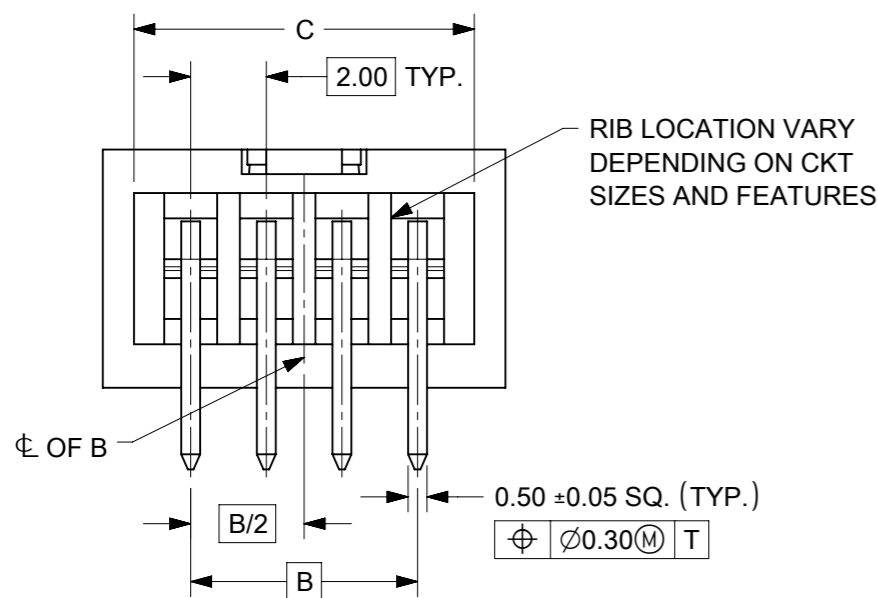
# 8 TO 12 CIRCUITS



ISO VIEW OF HEADER WITH CENTER POLARIZATION AND DUAL SIDE SLOTS



- NOTES:
- MATERIALS:  
HOUSING: 30% GF, NYLON, UL94V-0, COLOR: BLACK  
PIN: 0.50mm SQ. PHOSPHOR BRONZE.
  - FINISHES: REFER TO PLATING OPTIONS.
  - PRODUCT SPECIFICATION: PS-87831-027
  - PACKAGING SPECIFICATION: SEE PACKAGING SPECS TABLE ON SHEET 1
  - MATES WITH: A. MOLEX CRIMP RECEPTACLE HOUSING: 51110 SERIES AND CRIMP TERMINAL: 50394 SERIES.  
B. MOLEX 2mm MILLIGRID DUAL ROW IDT: 87568 SERIES.  
C. MOLEX 2mm MILLIGRID DUAL ROW RECEPTACLE: 79107 (GOLD PLATED), 78787 (TIN PLATED)
  - FOR ILLUSTRATION PURPOSE, 8 CIRCUIT HEADER IS SHOWN.



THIS DRAWING CONTAINS INFORMATION THAT IS PROPRIETARY TO MOLEX ELECTRONIC TECHNOLOGIES, LLC AND SHOULD NOT BE USED WITHOUT WRITTEN PERMISSION

|   |            |  |              |                        |            |       |  |   |  |  |  |
|---|------------|--|--------------|------------------------|------------|-------|--|---|--|--|--|
| EC NO: 727481<br>DRWN: DANUSA<br>CHK'D: DANUSA<br>REV APPR: MIRAMAKRISHNA | 2022/11/07 | GENERAL TOLERANCES (UNLESS SPECIFIED)                |              | DIMENSION UNITS        |            | SCALE |  | <p>MILLIGRID, 2MM PITCH SHROUDED HEADER R/A, THROUGH HOLE</p> <p>PRODUCT CUSTOMER DRAWING</p> <p>SERIES: 87833 MATERIAL NUMBER: SEE TABLE CUSTOMER: GENERAL MARKET</p> <p>DOCUMENT NUMBER: SD-87833-0001 DOC TYPE: PSD DOC PART: 001 SHEET NUMBER: 4 OF 9</p> |  |  |  |
|   | 2022/11/07 | MM   | INCH         | MM                     | NTS        |       |  |   |  |  |  |
|   | 2022/11/07 | DRWN BY  | DATE         | GMENARLY               | 2015/09/29 |       |  |   |  |  |  |
|   |            | CHK'D BY   | DATE         | CGOH                   | 2015/10/30 |       |  |   |  |  |  |
|   |            | APPR BY  | DATE         | KHLIM                  | 2015/11/03 |       |  |   |  |  |  |
|   |            | ANGULAR TOL = 3.0                                    | DRAWING SIZE | THIRD ANGLE PROJECTION |            |       |  |   |  |  |  |
|   |            | DRAFT WHERE APPLICABLE MUST REMAIN WITHIN DIMENSIONS | A3           |                        |            |       |  |   |  |  |  |


8 TO 12 CIRCUITS

| CKT SIZE   | ASSY. P/N WITHOUT KAPTON IN TUBE | ASSY. P/N WITH KAPTON IN TUBE | ASSY. P/N WITH KAPTON IN T&R | PLATING OPTIONS | FRICTION LOCKS |        | DUAL SIDE SLOTS | CENTER POLARIZATION | DIMENSION |      |       |       |     |      |                 |       |
|------------|----------------------------------|-------------------------------|------------------------------|-----------------|----------------|--------|-----------------|---------------------|-----------|------|-------|-------|-----|------|-----------------|-------|
|            |                                  |                               |                              |                 | DUAL           | CENTER |                 |                     | A         | B    | C     | D     | E   | F    | G (SOLDER TAIL) |       |
| 8          | 87833-0819                       | N.A                           | N.A                          | 1               | N.A            | N.A    | YES             | YES                 | 10.65     | 6.00 | 9.00  | 8.85  | N.A | N.A  | 2.16            |       |
|            | 87833-0820                       | N.A                           | N.A                          | 2               |                |        |                 |                     |           |      |       |       |     |      |                 |       |
|            | 87833-0821                       | N.A                           | 87833-7621                   | 3               |                |        |                 |                     |           |      |       |       |     |      |                 |       |
|            | 87833-6320                       | N.A                           | N.A                          | 2               | N.A            | N.A    | YES             | YES                 |           |      |       |       |     | N.A  | 3.00            | 2.16  |
|            | 87833-6321                       | N.A                           | N.A                          | 3               |                |        |                 |                     |           |      |       |       |     |      |                 |       |
|            | 87833-0831                       | 87833-0841                    | 87833-0851                   | 2               | N.A            | YES    | YES             | N.A                 |           |      |       |       |     | 3.00 | 3.18            |       |
|            | 87833-0832                       | N.A                           | N.A                          | 3               |                |        |                 |                     |           |      |       |       |     |      |                 |       |
|            | 87833-0861                       | N.A                           | N.A                          | 2               | N.A            | YES    | YES             | N.A                 |           |      |       |       |     | 3.00 | 3.18            |       |
|            | 87833-0824                       | N.A                           | N.A                          | 2               |                |        |                 |                     |           |      |       |       |     |      |                 |       |
|            | 87833-0825                       | N.A                           | N.A                          | 3               | N.A            | N.A    | YES             | YES                 |           |      |       |       |     | N.A  | 2.92            |       |
| 87833-1019 | N.A                              | N.A                           | 1                            |                 |                |        |                 |                     |           |      |       |       |     |      |                 |       |
| 10         | 87833-1020                       | N.A                           | 87833-1026                   | 2               | N.A            | N.A    | YES             | YES                 | 12.65     | 8.00 | 11.00 | 10.85 | N.A | N.A  | 2.16            |       |
|            | 87833-1021                       | N.A                           | N.A                          | 3               |                |        |                 |                     |           |      |       |       |     |      |                 |       |
|            | 87833-1031                       | N.A                           | 87833-1027                   | 2               |                |        |                 |                     |           |      |       |       |     |      |                 |       |
|            | 87833-1032                       | N.A                           | N.A                          | 3               | N.A            | YES    | YES             | N.A                 |           |      |       |       |     | 4.00 | 2.16            |       |
|            | N.A                              | 87833-1041                    | 87833-1051                   | 2               |                |        |                 |                     |           |      |       |       |     |      |                 |       |
|            | 87833-1024                       | N.A                           | N.A                          | 2               | N.A            | N.A    | YES             | YES                 |           |      |       |       |     | N.A  | 2.92            |       |
|            | 87833-1025                       | N.A                           | N.A                          | 3               |                |        |                 |                     |           |      |       |       |     |      |                 |       |
|            | 12                               | 87833-1219                    | N.A                          | N.A             | 1              | N.A    | N.A             | YES                 |           |      |       |       |     | YES  | 14.65           | 10.00 |
| 87833-1220 |                                  | N.A                           | 87833-1240                   | 2               |                |        |                 |                     |           |      |       |       |     |      |                 |       |
| 87833-1221 |                                  | N.A                           | N.A                          | 3               |                |        |                 |                     |           |      |       |       |     |      |                 |       |
| 87833-6020 |                                  | N.A                           | N.A                          | 2               | N.A            | N.A    | YES             | YES                 | N.A       | 3.18 |       |       |     |      |                 |       |
| 87833-1231 |                                  | N.A                           | N.A                          | 2               |                |        |                 |                     |           |      |       |       |     |      |                 |       |
| 87833-1232 |                                  | N.A                           | N.A                          | 3               | N.A            | YES    | YES             | N.A                 | 5.00      | 2.16 |       |       |     |      |                 |       |
| 87833-1224 |                                  | N.A                           | N.A                          | 2               |                |        |                 |                     |           |      |       |       |     |      |                 |       |
| 87833-1225 |                                  | N.A                           | N.A                          | 3               | N.A            | N.A    | YES             | YES                 | N.A       | 2.92 |       |       |     |      |                 |       |
|            |                                  |                               |                              |                 |                |        |                 |                     |           |      |       |       |     |      |                 |       |

PLATING OPTIONS:

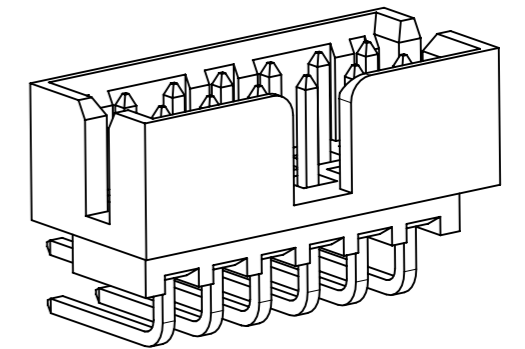
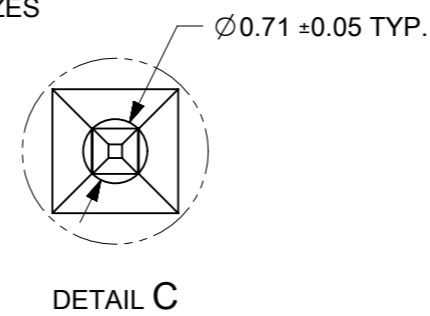
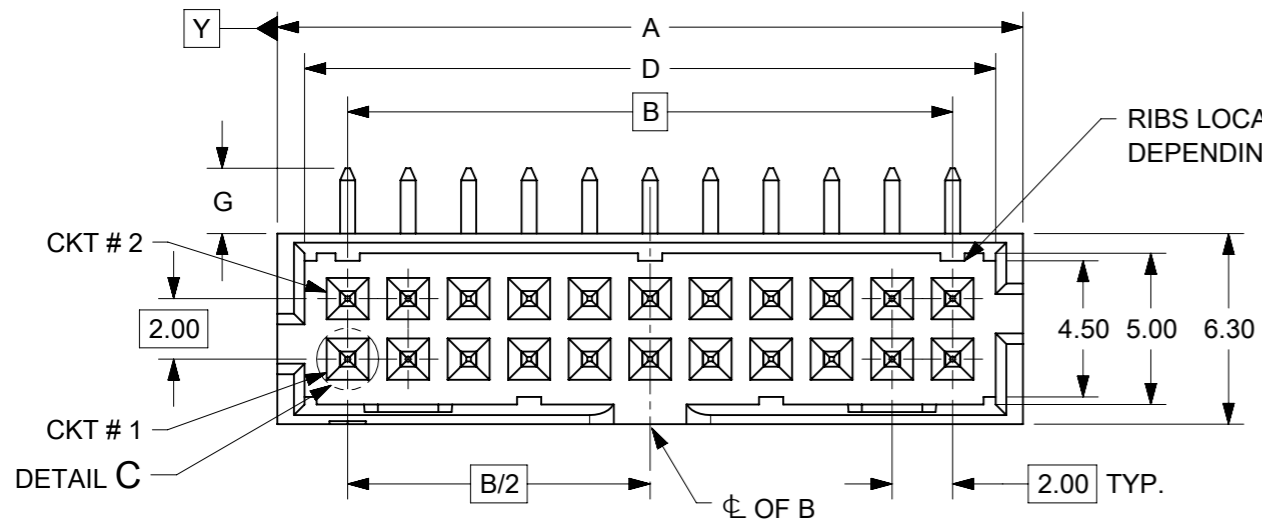
- 1 - 0.05-0.13µm/2-5µin GOLD IN CONTACT AREA AND 1.88µm/75µin MIN. MATTE TIN IN SOLDER TAIL AREA OVER 1.27µm/50µin MIN. NICKEL OVERALL.
- 2 - 0.38µm/15µin MIN. GOLD IN CONTACT AREA AND 1.88µm/75µin MIN. MATTE TIN IN SOLDER TAIL AREA OVER 1.27µm/50µin MIN. NICKEL OVERALL.
- 3 - 0.76µm/30µin MIN. GOLD IN CONTACT AREA AND 1.88µm/75µin MIN. MATTE TIN IN SOLDER TAIL AREA OVER 1.27µm/50µin MIN. NICKEL OVERALL.

THIS DRAWING CONTAINS INFORMATION THAT IS PROPRIETARY TO MOLEX ELECTRONIC TECHNOLOGIES, LLC AND SHOULD NOT BE USED WITHOUT WRITTEN PERMISSION

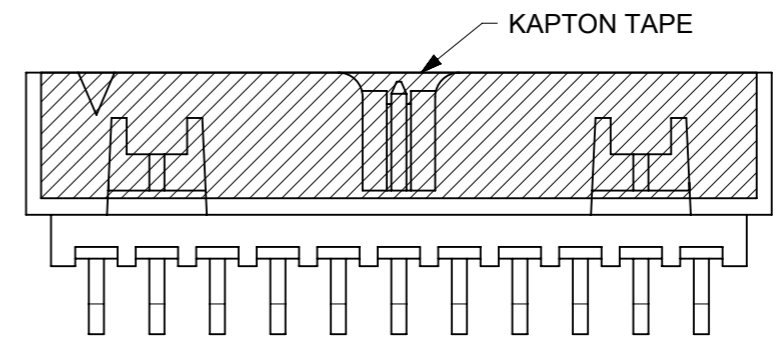
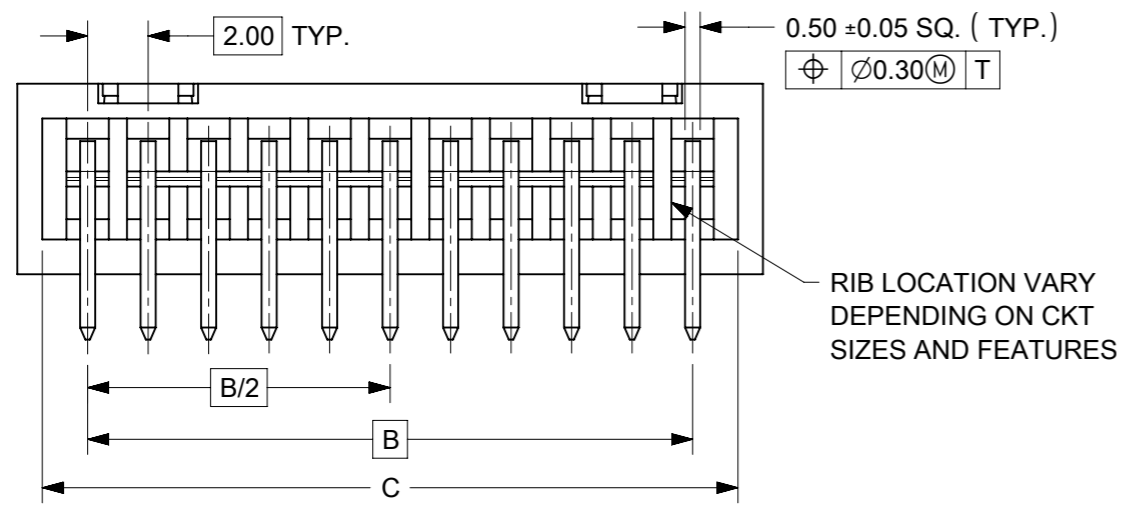
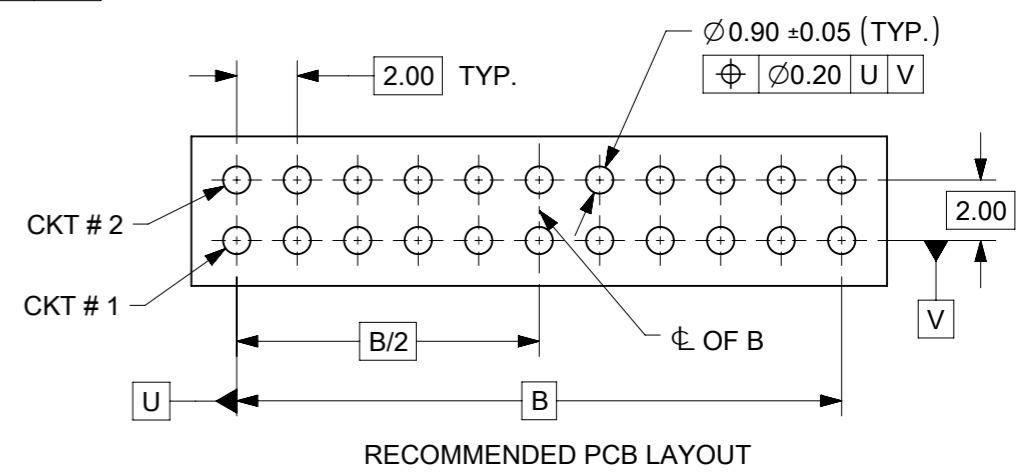
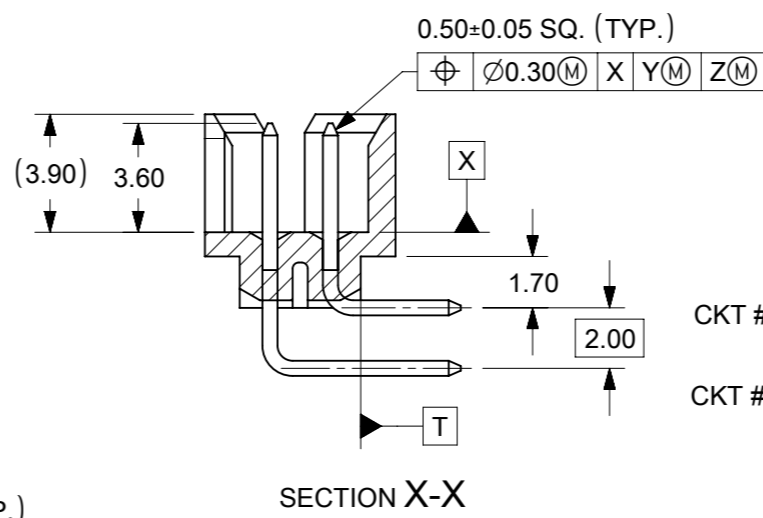
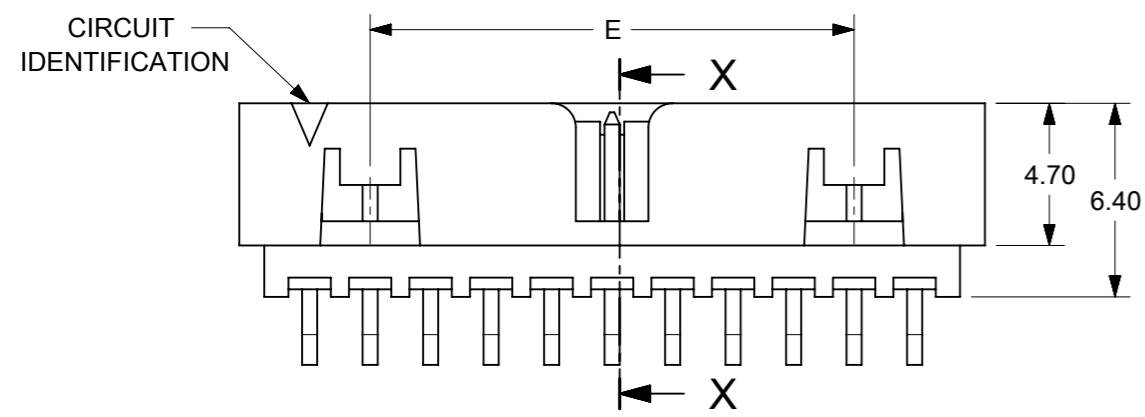
|  |            |            |            |                                       |      |                   |            |  |      |   |               |                                |  |
|--|------------|------------|------------|---------------------------------------|------|-------------------|------------|--|------|---|---------------|--------------------------------|--|
| EC NO: 727481<br>DRWN: DANUSA<br>CHKD: DANUSA<br>REV APPR: MIRAMAKRISHNA | 2022/11/07 | 2022/11/07 | 2022/11/07 | GENERAL TOLERANCES (UNLESS SPECIFIED) |      | DIMENSION UNITS   |            | SCALE  |      |  <p>MILLIGRID, 2MM PITCH<br/>SHROUDED HEADER R/A, THROUGH HOLE</p> <p>PRODUCT CUSTOMER DRAWING</p> |               |                                |  |
|  | 4 PLACES   | ±          | ±          | MM                                    | INCH | MM                | NTS        | DRWN BY  | DATE |   |               |                                |  |
|  | 3 PLACES   | ±          | ±          |                                       |      | GMENARLY          | 2015/09/29 | CHK'D BY   | DATE | SERIES: 87833 MATERIAL NUMBER: SEE TABLE CUSTOMER: GENERAL MARKET   |               |                                |  |
|  | 2 PLACES   | ± 0.2      | ±          |                                       |      | CGOH              | 2015/10/30 | APPR BY  | DATE |   |               |                                |  |
|  | 1 PLACES   | ±          | ±          |                                       |      | KHLIM             | 2015/11/03 | DRAWING SIZE: A3                                     |      | THIRD ANGLE PROJECTION  |               | DOCUMENT NUMBER: SD-87833-0001 |  |
|  | 0 PLACES   | ±          | ±          |                                       |      | ANGULAR TOL = 3.0 |            | DRAFT WHERE APPLICABLE MUST REMAIN WITHIN DIMENSIONS |      | DOC TYPE: PSD   | DOC PART: 001 | SHEET NUMBER: 5 OF 9           |  |

|                |    |              |            |          |
|----------------|----|--------------|------------|----------|
| RELEASE STATUS | P1 | RELEASE DATE | 2022/11/07 | 17:03:16 |
|----------------|----|--------------|------------|----------|

# 14 TO 50 CIRCUITS



ISO VIEW OF HEADER WITH CENTER POLARIZATION AND DUAL SIDE SLOTS



- NOTES:**
- MATERIALS:**  
HOUSING: 30% GF, NYLON, UL94V-0, COLOR: BLACK.  
PIN: 0.50mm SQ PHOSPHOR BRONZE.
  - FINISHES:** REFER TO PLATING OPTIONS.
  - PRODUCT SPECIFICATION:** PS-87831-027
  - PACKAGING SPECIFICATION:** SEE PACKAGING SPECS TABLE ON SHEET 1
  - MATES WITH:** A. MOLEX CRIMP RECEPTACLE HOUSING: 51110 SERIES AND CRIMP TERMINAL: 50394 SERIES.  
B. MOLEX 2mm MILLIGRID DUAL ROW IDT: 87568 SERIES.  
C. MOLEX 2mm MILLIGRID DUAL ROW RECEPTACLE: 79107 (GOLD PLATED), 78787 (TIN PLATED)
  - FOR ILLUSTRATION PURPOSE, 22 CIRCUITS HEADER IS SHOWN.**

THIS DRAWING CONTAINS INFORMATION THAT IS PROPRIETARY TO MOLEX ELECTRONIC TECHNOLOGIES, LLC AND SHOULD NOT BE USED WITHOUT WRITTEN PERMISSION

|   |            |  |       |                 |                        |  |            |
|---|------------|--|-------|-----------------|------------------------|--|------------|
| EC NO: 727481<br>DRWN: DANUSA<br>CHK'D: DANUSA<br>REV APPR: MIRAMAKRISHNA | 2022/11/07 | GENERAL TOLERANCES (UNLESS SPECIFIED)                |       | DIMENSION UNITS | SCALE                  |  |            |
|   | 2022/11/07 | MM   | INCH  | MM              | NTS                    |  |            |
|   | 2022/11/07 | 4 PLACES   | ±     | ±               | DRWN BY                |  | DATE       |
|   |            | 3 PLACES   | ±     | ±               | GMENARLY               |  | 2015/09/29 |
|   |            | 2 PLACES   | ± 0.2 | ±               | CHK'D BY               |  | DATE       |
|   |            | 1 PLACES   | ±     | ±               | CGOH                   |  | 2015/10/30 |
|   | 0 PLACES   | ±  | ±     | APPR BY         | DATE                   |  |            |
|   |            |  |       | KHLIM           | 2015/11/03             |  |            |
|   |            | ANGULAR TOL = 3.0                                    |       | DRAWING SIZE    | THIRD ANGLE PROJECTION | SERIES: 87833<br>MATERIAL NUMBER: SEE TABLE<br>CUSTOMER: GENERAL MARKET                  |            |
|   |            | DRAFT WHERE APPLICABLE MUST REMAIN WITHIN DIMENSIONS |       | A3              |                        | DOCUMENT NUMBER: SD-87833-0001<br>DOC TYPE: PSD<br>DOC PART: 001<br>SHEET NUMBER: 6 OF 9 |            |


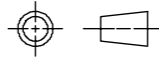
14 TO 24 CIRCUITS

| CKT SIZE | ASSY. P/N WITHOUT KAPTON IN TUBE | ASSY. P/N WITH KAPTON IN TUBE | ASSY. P/N WITH KAPTON IN T&R | ASSY. P/N WITHOUT KAPTON IN T&R | PLATING OPTIONS | FRICTION LOCKS |        | DUAL SIDE SLOTS | CENTER POLARIZATION | DIMENSION |       |       |       |       |     |                 |      |     |     |      |
|----------|----------------------------------|-------------------------------|------------------------------|---------------------------------|-----------------|----------------|--------|-----------------|---------------------|-----------|-------|-------|-------|-------|-----|-----------------|------|-----|-----|------|
|          |                                  |                               |                              |                                 |                 | DUAL           | CENTER |                 |                     | A         | B     | C     | D     | E     | F   | G (SOLDER TAIL) |      |     |     |      |
| 14       | 87833-1419                       | N.A                           | N.A                          | N.A                             | 1               | YES            | N.A    | YES             | YES                 | 16.65     | 12.00 | 15.00 | 14.85 | 8.00  | N.A | 2.16            |      |     |     |      |
|          | 87833-1420                       | N.A                           | N.A                          | N.A                             | 2               |                |        |                 |                     |           |       |       |       |       |     |                 |      |     |     |      |
|          | 87833-1421                       | N.A                           | N.A                          | N.A                             | 3               |                |        |                 |                     |           |       |       |       |       |     |                 |      |     |     |      |
|          | 87833-5320                       | N.A                           | N.A                          | N.A                             | 2               | YES            | N.A    | YES             | YES                 |           |       |       |       |       |     | 3.18            |      |     |     |      |
|          | 87833-5321                       | N.A                           | N.A                          | N.A                             | 3               |                |        |                 |                     |           |       |       |       |       |     |                 |      |     |     |      |
|          | 87833-1436                       | N.A                           | N.A                          | N.A                             | 3               |                |        |                 |                     |           |       |       |       |       |     |                 |      |     |     |      |
|          | N.A                              | N.A                           | 87833-7420                   | N.A                             | 2               | YES            | N.A    | YES             | YES                 |           |       |       |       |       |     |                 | 1.70 |     |     |      |
| 16       | 87833-1619                       | N.A                           | N.A                          | N.A                             | 1               | YES            | N.A    | YES             | YES                 | 18.65     | 14.00 | 17.00 | 16.85 | 10.00 | N.A | 2.16            |      |     |     |      |
|          | 87833-1620                       | N.A                           | N.A                          | N.A                             | 2               |                |        |                 |                     |           |       |       |       |       |     |                 |      |     |     |      |
|          | 87833-1621                       | N.A                           | 87833-7821                   | N.A                             | 3               |                |        |                 |                     |           |       |       |       |       |     |                 |      |     |     |      |
|          | 87833-6120                       | N.A                           | 87833-7120                   | N.A                             | 2               |                |        |                 |                     |           |       |       |       |       |     | YES             | N.A  | YES | YES | 3.18 |
| 18       | 87833-1819                       | N.A                           | N.A                          | N.A                             | 1               | YES            | N.A    | YES             | YES                 | 20.65     | 16.00 | 19.00 | 18.85 | 12.00 | N.A | 2.16            |      |     |     |      |
|          | 87833-1820                       | N.A                           | N.A                          | N.A                             | 2               |                |        |                 |                     |           |       |       |       |       |     |                 |      |     |     |      |
|          | 87833-1821                       | N.A                           | N.A                          | N.A                             | 3               |                |        |                 |                     |           |       |       |       |       |     |                 |      |     |     |      |
|          | 87833-6220                       | N.A                           | N.A                          | N.A                             | 2               |                |        |                 |                     |           |       |       |       |       |     | YES             | N.A  | YES | YES | 3.18 |
| 20       | 87833-2019                       | N.A                           | N.A                          | N.A                             | 1               | YES            | N.A    | YES             | YES                 | 22.65     | 18.00 | 21.00 | 20.85 | 14.00 | N.A | 2.16            |      |     |     |      |
|          | 87833-2020                       | N.A                           | 87833-7220                   | N.A                             | 2               |                |        |                 |                     |           |       |       |       |       |     |                 |      |     |     |      |
|          | 87833-2021                       | N.A                           | N.A                          | N.A                             | 3               |                |        |                 |                     |           |       |       |       |       |     |                 |      |     |     |      |
|          | 87833-6520                       | N.A                           | N.A                          | N.A                             | 2               | YES            | N.A    | YES             | YES                 |           |       |       |       |       |     | 3.18            |      |     |     |      |
|          | 87833-6521                       | N.A                           | N.A                          | A14 87833-2037                  | 3               |                |        |                 |                     |           |       |       |       |       |     |                 |      |     |     |      |
|          | 87833-2036                       | N.A                           | N.A                          | N.A                             | 3               | YES            | N.A    | YES             | YES                 |           |       |       |       |       |     | 3.50            |      |     |     |      |
| 22       | 87833-2219                       | N.A                           | N.A                          | N.A                             | 1               | YES            | N.A    | YES             | YES                 | 24.65     | 20.00 | 23.00 | 22.85 | 16.00 | N.A | 2.16            |      |     |     |      |
|          | 87833-2220                       | N.A                           | N.A                          | N.A                             | 2               |                |        |                 |                     |           |       |       |       |       |     |                 |      |     |     |      |
|          | 87833-2221                       | N.A                           | N.A                          | N.A                             | 3               |                |        |                 |                     |           |       |       |       |       |     |                 |      |     |     |      |
| 24       | 87833-2419                       | N.A                           | N.A                          | N.A                             | 1               | YES            | N.A    | YES             | YES                 | 26.65     | 22.00 | 25.00 | 24.85 | 18.00 | N.A | 2.16            |      |     |     |      |
|          | 87833-2420                       | N.A                           | 87833-7020                   | N.A                             | 2               |                |        |                 |                     |           |       |       |       |       |     |                 |      |     |     |      |
|          | 87833-2421                       | N.A                           | N.A                          | N.A                             | 3               |                |        |                 |                     |           |       |       |       |       |     |                 |      |     |     |      |
|          | 87833-7320                       | N.A                           | N.A                          | N.A                             | 2               |                |        |                 |                     |           |       |       |       |       |     | YES             | N.A  | YES | YES | 2.00 |
|          | 87833-2436                       | N.A                           | N.A                          | N.A                             | 3               |                |        |                 |                     |           |       |       |       |       |     | YES             | N.A  | YES | YES | 3.50 |
|          | 87833-6920                       | N.A                           | N.A                          | N.A                             | 2               |                |        |                 |                     |           |       |       |       |       |     | YES             | N.A  | YES | YES | 3.27 |

PLATING OPTIONS:

- 1 - 0.05-0.13µm/2-5µin GOLD IN CONTACT AREA AND 1.88µm/75µin MIN. MATTE TIN IN SOLDER TAIL AREA OVER 1.27µm/50µin MIN. NICKEL OVERALL.
- 2 - 0.38µm/15µin MIN. GOLD IN CONTACT AREA AND 1.88µm/75µin MIN. MATTE TIN IN SOLDER TAIL AREA OVER 1.27µm/50µin MIN. NICKEL OVERALL.
- 3 - 0.76µm/30µin MIN. GOLD IN CONTACT AREA AND 1.88µm/75µin MIN. MATTE TIN IN SOLDER TAIL AREA OVER 1.27µm/50µin MIN. NICKEL OVERALL.

THIS DRAWING CONTAINS INFORMATION THAT IS PROPRIETARY TO MOLEX ELECTRONIC TECHNOLOGIES, LLC AND SHOULD NOT BE USED WITHOUT WRITTEN PERMISSION

|   |                                       |              |                 |   |       |                 |   |   |  |                |  |              |  |
|---|---------------------------------------|--------------|-----------------|---|-------|-----------------|---|---|--|----------------|--|--------------|--|
| EC NO: 727481<br>DRWN: DANUSA<br>CHK'D: DANUSA<br>REV APPR: MIRAMAKRISHNA<br>2022/11/07<br>2022/11/07<br>2022/11/07 | GENERAL TOLERANCES (UNLESS SPECIFIED) |              | DIMENSION UNITS |   | SCALE |                 |  |   |  |                |  |              |  |
|   |                                       |              | MM              | INCH  | MM    | NTS             |   |   |  |                |  |              |  |
|   | 4 PLACES ±                            |              | ±               | DRWN BY   |       | DATE            |   | MILLIGRID, 2MM PITCH<br>SHROUDED HEADER R/A, THROUGH HOLE |  |                |  |              |  |
|   | 3 PLACES ±                            |              | ±               | GMENARLY  |       | 2015/09/29      |   |   |  |                |  |              |  |
|   | 2 PLACES ± 0.2                        |              | ±               | CHK'D BY  |       | DATE            |   |   |  |                |  |              |  |
|   | 1 PLACES ±                            |              | ±               | CGOH  |       | 2015/10/30      |   | PRODUCT CUSTOMER DRAWING                                  |  |                |  |              |  |
| 0 PLACES ±  |                                       | ±            | APPR BY         |   | DATE  |                 |   |   |  |                |  |              |  |
| ANGULAR TOL = 3.0   |                                       | DRAWING SIZE |                 | THIRD ANGLE PROJECTION  |       | SERIES          |   | MATERIAL NUMBER   |  | CUSTOMER       |  |              |  |
| DRAFT WHERE APPLICABLE MUST REMAIN WITHIN DIMENSIONS  |                                       | A3           |                 |  |       | 87833           |   | SEE TABLE   |  | GENERAL MARKET |  |              |  |
|   |                                       |              |                 |   |       | DOCUMENT NUMBER |   | DOC TYPE  |  | DOC PART       |  | SHEET NUMBER |  |
|   |                                       |              |                 |   |       | SD-87833-0001   |   | PSD   |  | 001            |  | 7 OF 9       |  |


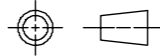
26 TO 38 CIRCUITS

| CKT SIZE | ASSY. P/N WITHOUT KAPTON IN TUBE | ASSY. P/N WITH KAPTON IN TUBE | ASSY. P/N WITH KAPTON IN T&R | PLATING OPTIONS | FRICTION LOCKS |        | DUAL SIDE SLOTS | CENTER POLARIZATION | DIMENSION |       |       |       |       |     |                 |
|----------|----------------------------------|-------------------------------|------------------------------|-----------------|----------------|--------|-----------------|---------------------|-----------|-------|-------|-------|-------|-----|-----------------|
|          |                                  |                               |                              |                 | DUAL           | CENTER |                 |                     | A         | B     | C     | D     | E     | F   | G (SOLDER TAIL) |
| 26       | 87833-2619                       | N.A                           | N.A                          | 1               |                |        |                 |                     | 28.65     | 24.00 | 27.00 | 26.85 | 20.00 | N.A | 2.16            |
|          | 87833-2620                       | N.A                           | N.A                          | 2               | YES            | N.A    | YES             | YES                 |           |       |       |       |       |     |                 |
|          | 87833-2621                       | N.A                           | N.A                          | 3               |                |        |                 |                     |           |       |       |       |       |     |                 |
|          | 87833-2636                       | N.A                           | N.A                          | 3               | YES            | N.A    | YES             | YES                 |           |       |       |       |       |     | 3.50            |
| 28       | 87833-2819                       | N.A                           | N.A                          | 1               |                |        |                 |                     | 30.65     | 26.00 | 29.00 | 28.85 | 22.00 | N.A | 2.16            |
|          | 87833-2820                       | N.A                           | N.A                          | 2               | YES            | N.A    | YES             | YES                 |           |       |       |       |       |     |                 |
|          | 87833-2821                       | N.A                           | N.A                          | 3               |                |        |                 |                     |           |       |       |       |       |     |                 |
|          | 87833-6620                       | N.A                           | N.A                          | 2               | YES            | N.A    | YES             | YES                 |           |       |       |       |       |     | 3.18            |
| 30       | 87833-3019                       | N.A                           | N.A                          | 1               |                |        |                 |                     | 32.65     | 28.00 | 31.00 | 30.85 | 24.00 | N.A | 2.16            |
|          | 87833-3020                       | N.A                           | N.A                          | 2               | YES            | N.A    | YES             | YES                 |           |       |       |       |       |     |                 |
|          | 87833-3021                       | N.A                           | N.A                          | 3               |                |        |                 |                     |           |       |       |       |       |     |                 |
|          | 87833-6720                       | N.A                           | N.A                          | 2               | YES            | N.A    | YES             | YES                 |           |       |       |       |       |     | 3.18            |
|          | 87833-6721                       | N.A                           | N.A                          | 3               |                |        |                 |                     |           |       |       |       |       |     |                 |
|          | 87833-3036                       | N.A                           | N.A                          | 3               | YES            | N.A    | YES             | YES                 |           |       |       |       |       |     | 3.50            |
| 32       | 87833-3219                       | N.A                           | N.A                          | 1               |                |        |                 |                     | 34.65     | 30.00 | 33.00 | 32.85 | 26.00 | N.A | 2.16            |
|          | 87833-3220                       | N.A                           | N.A                          | 2               | YES            | N.A    | YES             | YES                 |           |       |       |       |       |     |                 |
|          | 87833-3221                       | N.A                           | N.A                          | 3               |                |        |                 |                     |           |       |       |       |       |     |                 |
| 34       | 87833-3419                       | N.A                           | N.A                          | 1               |                |        |                 |                     | 36.65     | 32.00 | 35.00 | 34.85 | 28.00 | N.A | 2.16            |
|          | 87833-3420                       | N.A                           | N.A                          | 2               | YES            | N.A    | YES             | YES                 |           |       |       |       |       |     |                 |
|          | 87833-3421                       | N.A                           | N.A                          | 3               |                |        |                 |                     |           |       |       |       |       |     |                 |
|          | 87833-5420                       | N.A                           | N.A                          | 2               | YES            | N.A    | YES             | YES                 |           |       |       |       |       |     | 3.18            |
|          | 87833-3424                       | N.A                           | N.A                          | 2               | N.A            | N.A    | YES             | YES                 |           |       |       |       |       |     | 2.92            |
| 36       | 87833-3619                       | N.A                           | N.A                          | 1               |                |        |                 |                     | 38.65     | 34.00 | 37.00 | 36.85 | 30.00 | N.A | 2.16            |
|          | 87833-3620                       | N.A                           | N.A                          | 2               | YES            | N.A    | YES             | YES                 |           |       |       |       |       |     |                 |
|          | 87833-3621                       | N.A                           | N.A                          | 3               |                |        |                 |                     |           |       |       |       |       |     |                 |
| 38       | 87833-3819                       | N.A                           | N.A                          | 1               |                |        |                 |                     | 40.65     | 36.00 | 39.00 | 38.85 | 32.00 | N.A | 2.16            |
|          | 87833-3820                       | N.A                           | N.A                          | 2               | YES            | N.A    | YES             | YES                 |           |       |       |       |       |     |                 |
|          | 87833-3821                       | N.A                           | N.A                          | 3               |                |        |                 |                     |           |       |       |       |       |     |                 |

PLATING OPTIONS:

- 1 - 0.05-0.13µm/2-5µin GOLD IN CONTACT AREA AND 1.88µm/75µin MIN. MATTE TIN IN SOLDER TAIL AREA OVER 1.27µm/50µin MIN. NICKEL OVERALL.
- 2 - 0.38µm/15µin MIN. GOLD IN CONTACT AREA AND 1.88µm/75µin MIN. MATTE TIN IN SOLDER TAIL AREA OVER 1.27µm/50µin MIN. NICKEL OVERALL.
- 3 - 0.76µm/30µin MIN. GOLD IN CONTACT AREA AND 1.88µm/75µin MIN. MATTE TIN IN SOLDER TAIL AREA OVER 1.27µm/50µin MIN. NICKEL OVERALL.

THIS DRAWING CONTAINS INFORMATION THAT IS PROPRIETARY TO MOLEX ELECTRONIC TECHNOLOGIES, LLC AND SHOULD NOT BE USED WITHOUT WRITTEN PERMISSION

|  |            |                                       |  |                 |              |   |            |   |                 |   |                |          |     |                          |     |              |        |
|--|------------|---------------------------------------|--|-----------------|--------------|---|------------|---|-----------------|---|----------------|----------|-----|--------------------------|-----|--------------|--------|
| EC NO: 727481<br>DRWN: DANUSA<br>CHKD: DANUSA<br>REV APPR: MIRAMAKRISHNA | 2022/11/07 | GENERAL TOLERANCES (UNLESS SPECIFIED) |  | DIMENSION UNITS |              | SCALE   |            |  |                 |   |                |          |     |                          |     |              |        |
|  | 2022/11/07 | MM                                    | INCH   | MM              | NTS          | DRWN BY   |            |   |                 |   |                | DATE     |     |                          |     |              |        |
|  | 2022/11/07 | 4 PLACES ±                            | ±  | GMENARLY        | 2015/09/29   | CHK'D BY  |            | DATE  |                 | MILLIGRID, 2MM PITCH<br>SHROUDED HEADER R/A, THROUGH HOLE |                |          |     |                          |     |              |        |
|  |            | 3 PLACES ±                            | ±  | CGOH            | 2015/10/30   | APPR BY   |            | DATE  |                 |   |                |          |     |                          |     |              |        |
|  |            | 2 PLACES ±                            | 0.2  | KHLIM           | 2015/11/03   | DRAWING SIZE  |            | THIRD ANGLE PROJECTION  |                 |   |                |          |     | PRODUCT CUSTOMER DRAWING |     |              |        |
|  | 1 PLACES ± | ±                                     | ANGULAR TOL = 3.0                                    |                 | A3           |  |            | SERIES  |                 | MATERIAL NUMBER   |                | CUSTOMER |     |                          |     |              |        |
|  | 0 PLACES ± | ±                                     | DRAFT WHERE APPLICABLE MUST REMAIN WITHIN DIMENSIONS |                 |              |   |            | 87833   | SEE TABLE       |   | GENERAL MARKET |          |     |                          |     |              |        |
| A14  | REV        | RELEASE STATUS                        |  | P1              | RELEASE DATE |   | 2022/11/07 | 17:03:16  | DOCUMENT NUMBER |   | SD-87833-0001  | DOC TYPE | PSD | DOC PART                 | 001 | SHEET NUMBER | 8 OF 9 |



40 TO 50 CIRCUITS

| CKT SIZE   | ASSY. P/N WITHOUT KAPTON IN TUBE | ASSY. P/N WITH KAPTON IN TUBE | ASSY. P/N WITH KAPTON IN T&R | ASSY. P/N WITHOUT KAPTON IN T&R | PLATING OPTIONS | FRICTION LOCKS |        | DUAL SIDE SLOTS | CENTER POLARIZATION | DIMENSION |       |       |       |       |       |                 |       |       |     |      |      |
|------------|----------------------------------|-------------------------------|------------------------------|---------------------------------|-----------------|----------------|--------|-----------------|---------------------|-----------|-------|-------|-------|-------|-------|-----------------|-------|-------|-----|------|------|
|            |                                  |                               |                              |                                 |                 | DUAL           | CENTER |                 |                     | A         | B     | C     | D     | E     | F     | G (SOLDER TAIL) |       |       |     |      |      |
| 40         | 87833-4019                       | N.A                           | N.A                          | N.A                             | 1               |                |        |                 |                     |           |       |       |       |       |       |                 |       |       |     |      |      |
|            | 87833-4020                       | N.A                           | N.A                          | N.A                             | 2               | YES            | N.A    | YES             | YES                 | 42.65     | 38.00 | 41.00 | 40.85 | 34.00 | N.A   | 2.16            |       |       |     |      |      |
|            | 87833-4021                       | N.A                           | N.A                          | N.A                             | 3               |                |        |                 |                     |           |       |       |       |       |       |                 |       |       |     |      |      |
| 42         | 87833-4219                       | N.A                           | N.A                          | N.A                             | 1               |                |        |                 |                     |           |       |       |       |       |       |                 |       |       |     |      |      |
|            | 87833-4220                       | N.A                           | N.A                          | N.A                             | 2               | YES            | N.A    | YES             | YES                 | 44.65     | 40.00 | 43.00 | 42.85 | 36.00 | N.A   | 2.16            |       |       |     |      |      |
|            | 87833-4221                       | N.A                           | N.A                          | N.A                             | 3               |                |        |                 |                     |           |       |       |       |       |       |                 |       |       |     |      |      |
|            | 87833-4222                       | N.A                           | 87833-4322                   | 87833-4223                      | 3               | YES            | N.A    | YES             | YES                 |           |       |       |       |       |       |                 | 3.50  |       |     |      |      |
| 44         | 87833-4419                       | N.A                           | N.A                          | N.A                             | 1               |                |        |                 |                     |           |       |       |       |       |       |                 |       |       |     |      |      |
|            | 87833-4420                       | N.A                           | N.A                          | N.A                             | 2               |                |        |                 |                     | 44.65     | 40.00 | 43.00 | 42.85 | 2.16  | 42.00 | 45.00           | 44.85 | 38.00 | N.A | 2.16 |      |
|            | 87833-4421                       | N.A                           | N.A                          | N.A                             | 3               |                |        |                 |                     |           |       |       |       |       |       |                 |       |       |     |      |      |
|            | 87833-4424                       | N.A                           | N.A                          | N.A                             | 2               |                |        |                 |                     | N.A       | N.A   | YES   | YES   | 2.16  | 42.00 | 45.00           | 44.85 | 38.00 | N.A | 2.16 |      |
|            | 87833-4425                       | N.A                           | N.A                          | N.A                             | 3               |                |        |                 |                     |           |       |       |       |       |       |                 |       |       |     |      |      |
| 87833-4425 | N.A                              | N.A                           | N.A                          | 3                               |                 |                |        |                 |                     |           |       |       |       |       |       |                 |       |       |     |      | 2.92 |
| 46         | 87833-4619                       | N.A                           | N.A                          | N.A                             | 1               |                |        |                 |                     |           |       |       |       |       |       |                 |       |       |     |      |      |
|            | 87833-4620                       | N.A                           | N.A                          | N.A                             | 2               | YES            | N.A    | YES             | YES                 | 48.65     | 44.00 | 47.00 | 46.85 | 40.00 | N.A   | 2.16            |       |       |     |      |      |
|            | 87833-4621                       | N.A                           | N.A                          | N.A                             | 3               |                |        |                 |                     |           |       |       |       |       |       |                 |       |       |     |      |      |
| 48         | 87833-4819                       | N.A                           | N.A                          | N.A                             | 1               |                |        |                 |                     |           |       |       |       |       |       |                 |       |       |     |      |      |
|            | 87833-4820                       | N.A                           | N.A                          | N.A                             | 2               | YES            | N.A    | YES             | YES                 | 50.65     | 46.00 | 49.00 | 48.85 | 42.00 | N.A   | 2.16            |       |       |     |      |      |
|            | 87833-4821                       | N.A                           | N.A                          | N.A                             | 3               |                |        |                 |                     |           |       |       |       |       |       |                 |       |       |     |      |      |
| 50         | 87833-5019                       | N.A                           | N.A                          | N.A                             | 1               |                |        |                 |                     |           |       |       |       |       |       |                 |       |       |     |      |      |
|            | 87833-5020                       | N.A                           | N.A                          | N.A                             | 2               | YES            | N.A    | YES             | YES                 | 52.65     | 48.00 | 51.00 | 50.85 | 44.00 | N.A   | 2.16            |       |       |     |      |      |
|            | 87833-5021                       | N.A                           | N.A                          | N.A                             | 3               |                |        |                 |                     |           |       |       |       |       |       |                 |       |       |     |      |      |

**PLATING OPTIONS:**

- 1 - 0.05-0.13µm/2-5µin GOLD IN CONTACT AREA AND 1.88µm/75µin MIN. MATTE TIN IN SOLDER TAIL AREA OVER 1.27µm/50µin MIN. NICKEL OVERALL.
- 2 - 0.38µm/15µin MIN. GOLD IN CONTACT AREA AND 1.88µm/75µin MIN. MATTE TIN IN SOLDER TAIL AREA OVER 1.27µm/50µin MIN. NICKEL OVERALL.
- 3 - 0.76µm/30µin MIN. GOLD IN CONTACT AREA AND 1.88µm/75µin MIN. MATTE TIN IN SOLDER TAIL AREA OVER 1.27µm/50µin MIN. NICKEL OVERALL.

THIS DRAWING CONTAINS INFORMATION THAT IS PROPRIETARY TO MOLEX ELECTRONIC TECHNOLOGIES, LLC AND SHOULD NOT BE USED WITHOUT WRITTEN PERMISSION

|   |                                       |       |                 |                        |                                 |  |                |          |              |                              |  |
|---|---------------------------------------|-------|-----------------|------------------------|---------------------------------|--|----------------|----------|--------------|------------------------------|--|
| EC NO: 727481<br>DRWN: DANUSA<br>CHK'D: DANUSA<br>REV APPR: MIRAMAKRISHNA | GENERAL TOLERANCES (UNLESS SPECIFIED) |       | DIMENSION UNITS |                        | SCALE                           |  | <b>molex®</b>  |          |              |                              |  |
|   |                                       |       | MM              | INCH                   | MM                              | NTS  |                |          |              |                              |  |
|   | 4 PLACES                              | ±     | ±               | DRWN BY                | DATE                            | MILLIGRID, 2MM PITCH SHROUDED HEADER R/A, THROUGH HOLE |                |          |              |                              |  |
|   | 3 PLACES                              | ±     | ±               | GMENARLY               | 2015/09/29                      |  |                |          |              |                              |  |
|   | 2 PLACES                              | ± 0.2 | ±               | CHK'D BY               | DATE                            | PRODUCT CUSTOMER DRAWING                               |                |          |              |                              |  |
|   | 1 PLACES                              | ±     | ±               | CGOH                   | 2015/10/30                      |  |                |          |              |                              |  |
| 0 PLACES  | ±                                     | ±     | APPR BY         | DATE                   | SERIES MATERIAL NUMBER CUSTOMER |  |                |          |              |                              |  |
|   |                                       |       | KHLIM           | 2015/11/03             |                                 |  |                |          |              |                              |  |
| ANGULAR TOL = 3.0   |                                       |       | DRAWING SIZE    | THIRD ANGLE PROJECTION | 87833                           | SEE TABLE  | GENERAL MARKET |          |              |                              |  |
| DRAFT WHERE APPLICABLE MUST REMAIN WITHIN DIMENSIONS                      |                                       |       | A3              |                        | DOCUMENT NUMBER                 |  | DOC TYPE       | DOC PART | SHEET NUMBER | SD-87833-0001 PSD 001 9 OF 9 |  |

|                |    |              |            |          |
|----------------|----|--------------|------------|----------|
| RELEASE STATUS | P1 | RELEASE DATE | 2022/11/07 | 17:03:16 |
|----------------|----|--------------|------------|----------|