

1

2

3

4

A

A

B

B

C

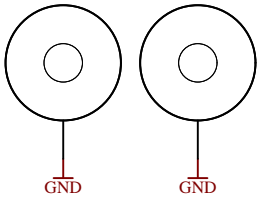
C

D

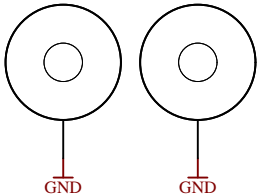
D

FPGA-MISC	FPGA-POWER
FPGA-MISC.SchDoc	FPGA-POWER.SchDoc
B13	DDR3-RAM
B13.SchDoc	DDR3-RAM.SchDoc
B34	B2B_Connector
B34.SchDoc	B2B_Connector.SchDoc
B35	Clock
B35.SchDoc	Clock.SchDoc
MIO-BANKS	ETH-PHY
MIO-BANKS.SchDoc	ETH-PHY.SchDoc
MGT	USB-PHY
MGT.SchDoc	USB-PHY.SchDoc
DDR-BANK	POWER
DDR-BANK.SchDoc	POWER.SchDoc
	POWER_2
	POWER_2.SchDoc

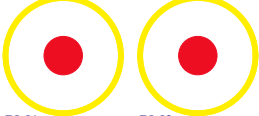
Mount.Hole 3.2mm Mount.Hole 3.2mm



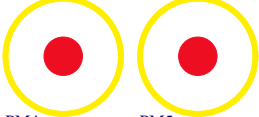
Mount.Hole 3.2mm Mount.Hole 3.2mm



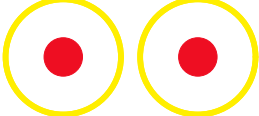
FIDU-DOT - small FIDU-DOT - small



PM1 PM2 FIDU-DOT - small FIDU-DOT - small



PM4 PM5 FIDU-DOT - small FIDU-DOT - small



PM6 PM3

Serial
Serial
Serialnumber 6,3 x 6.3mm



Assembly variant:	73E33-A
Created by:	MR
Modified by:	MR
Modified at:	2021-01-20



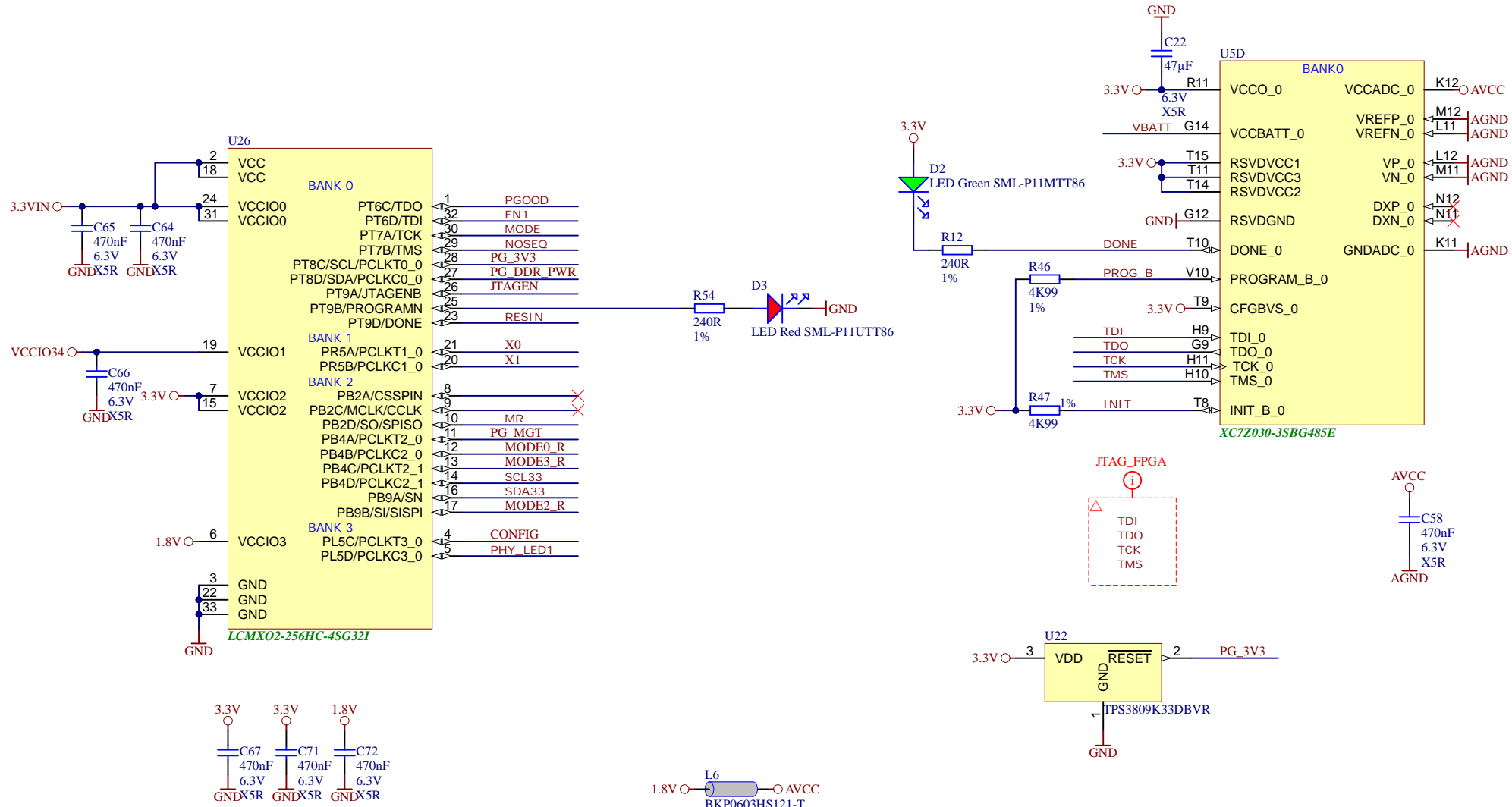
Title: TE0715 - Overview		
A4	Number: TE0715 73E33-A	Rev. 04
Date: 2015-10-14	Copyright: Trenz Electronic GmbH / TT	Page1 of 15
Filename: TE0715.SchDoc		


1

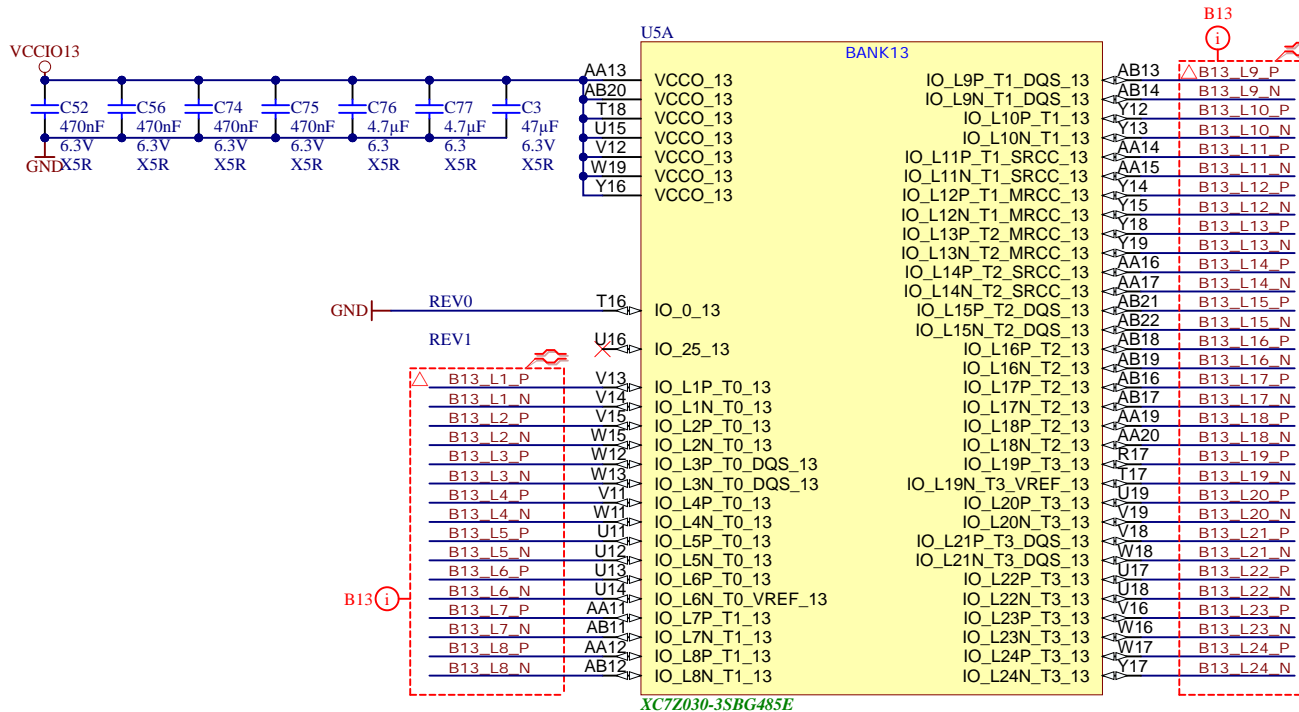
2


3

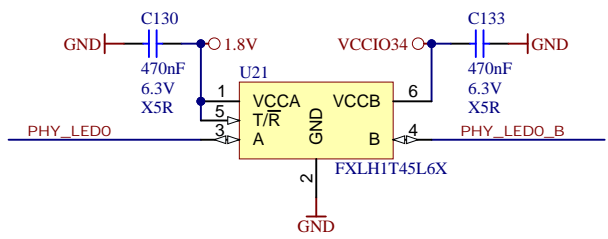
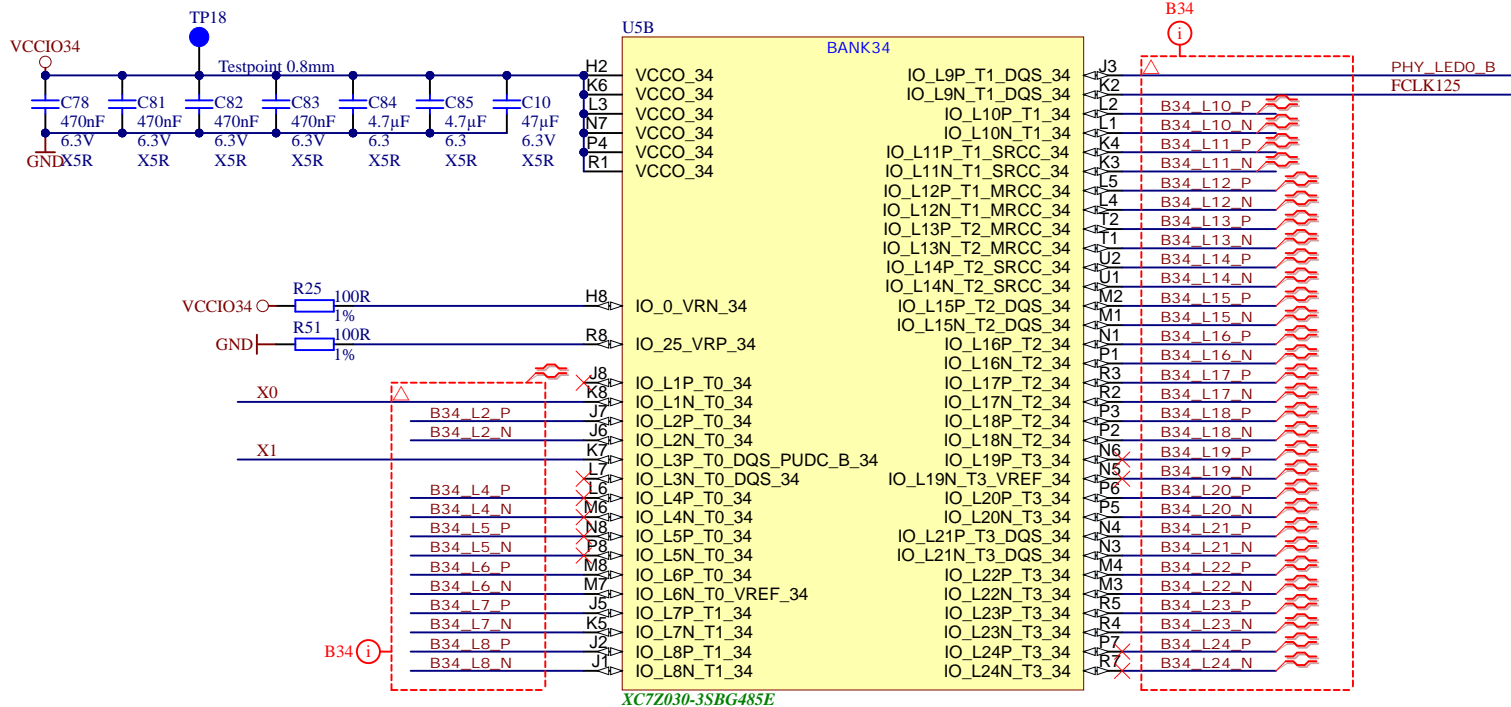
4



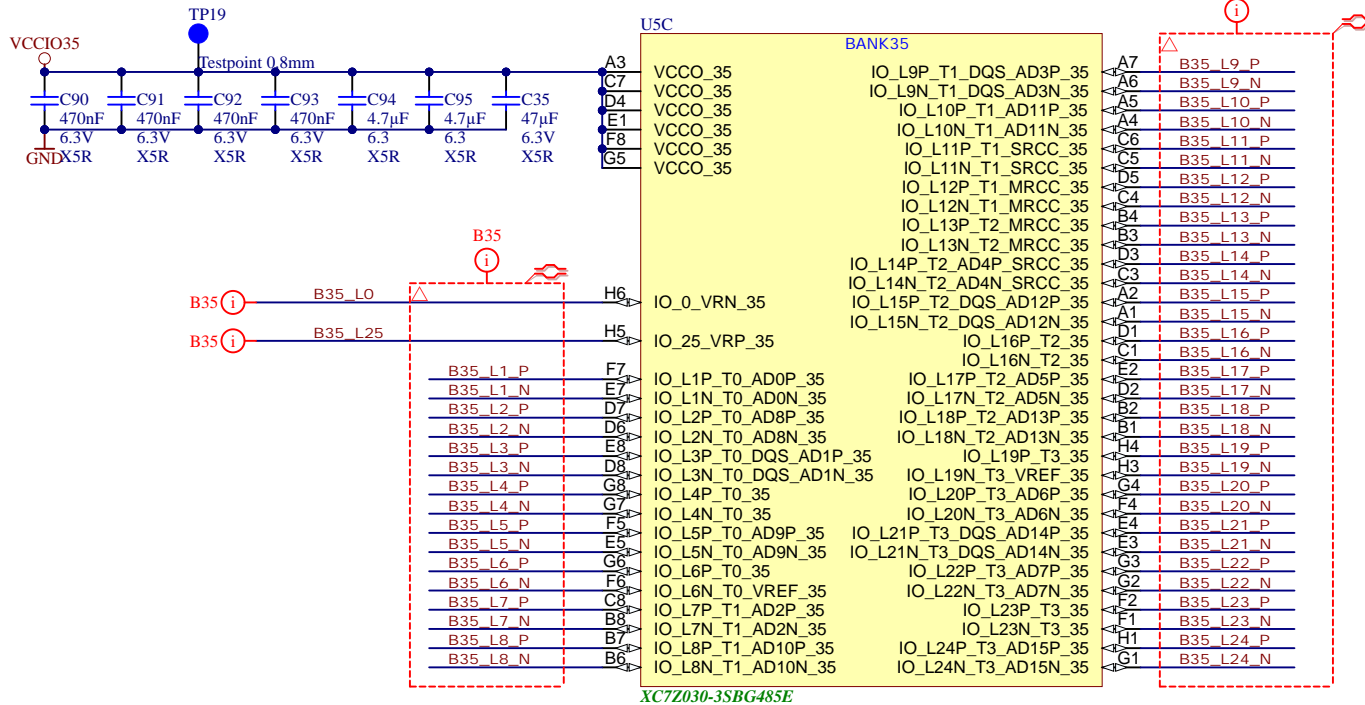
			Title: TE0715 - Config-MISC	
A4	Number: TE0715 73E33-A	Rev. 04		
Date: 2015-10-14	Copyright: Trenz Electronic GmbH / TT	Page2 of 15		
Filename: FPGA-MISC.SchDoc				



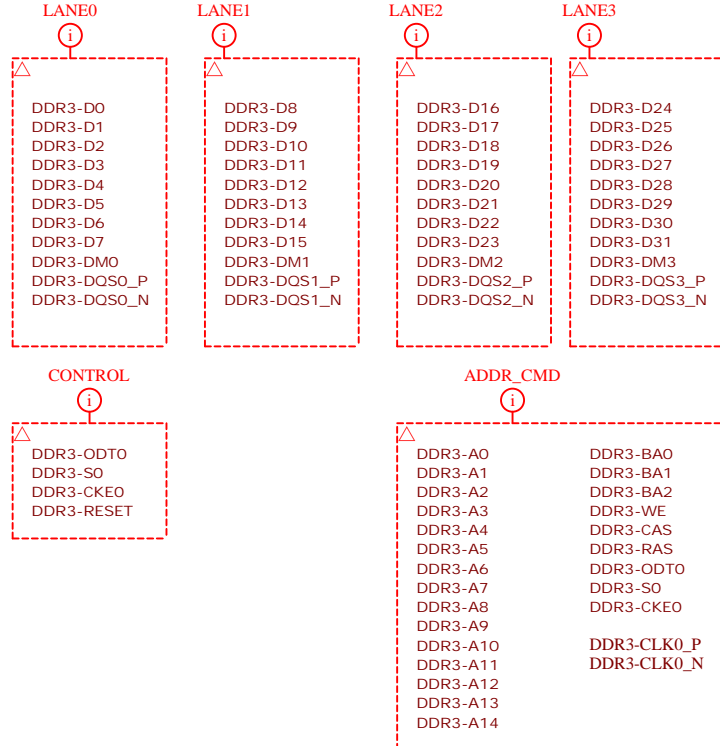
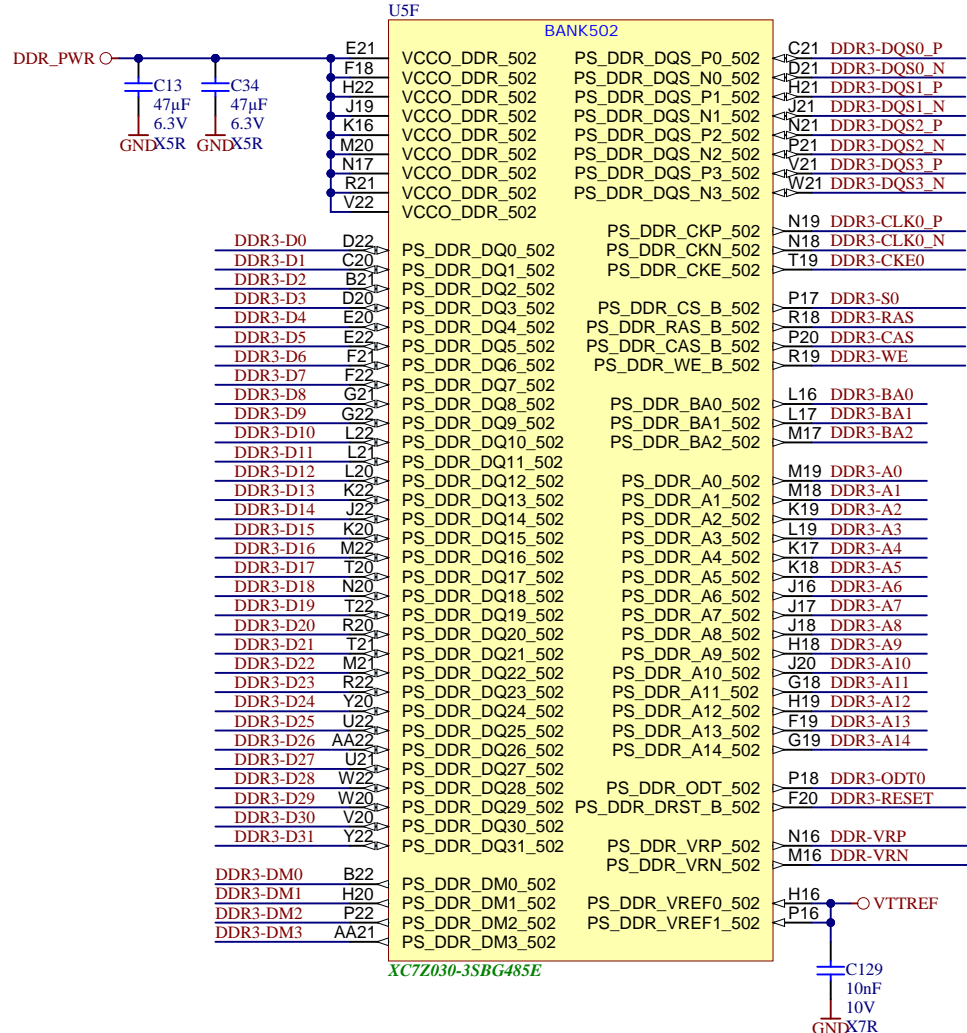
	Title: TE0715 - FPGA_B12		
	A4	Number: TE0715 73E33-A	Rev. 04
	Date: 2015-10-14	Copyright: Trenz Electronic GmbH / TT	Page3 of 15
	Filename: B13.SchDoc		



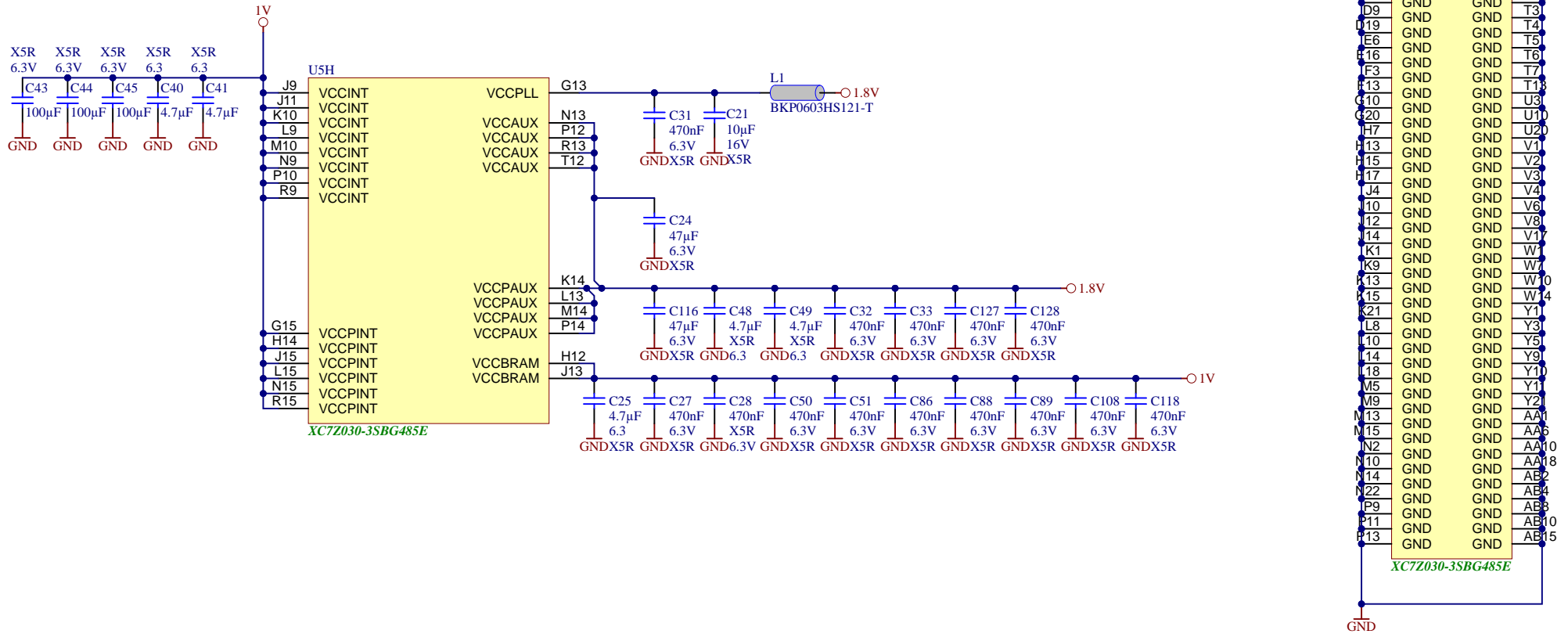
Title: TE0715 - FPGA_B34		
A4	Number: TE0715 73E33-A	Rev. 04
Date: 2015-10-14	Copyright: Trenz Electronic GmbH / TT	Page 4 of 15
Filename: B34.SchDoc		




Title: TE0715 - FPGA_B35		
A4	Number: TE0715 73E33-A	Rev. 04
Date: 2015-10-14	Copyright: Trenz Electronic GmbH / TT	Page5 of 15
Filename: B35.SchDoc		



		Title: TE0715 - FPGA_PS-DDR	
		A4	Number: TE0715 73E33-A
Date: 2015-10-14		Copyright: Trenz Electronic GmbH / TT	
Page 7 of 15		Page 7 of 15	
Filename: DDR-BANK.SchDoc		Page 7 of 15	



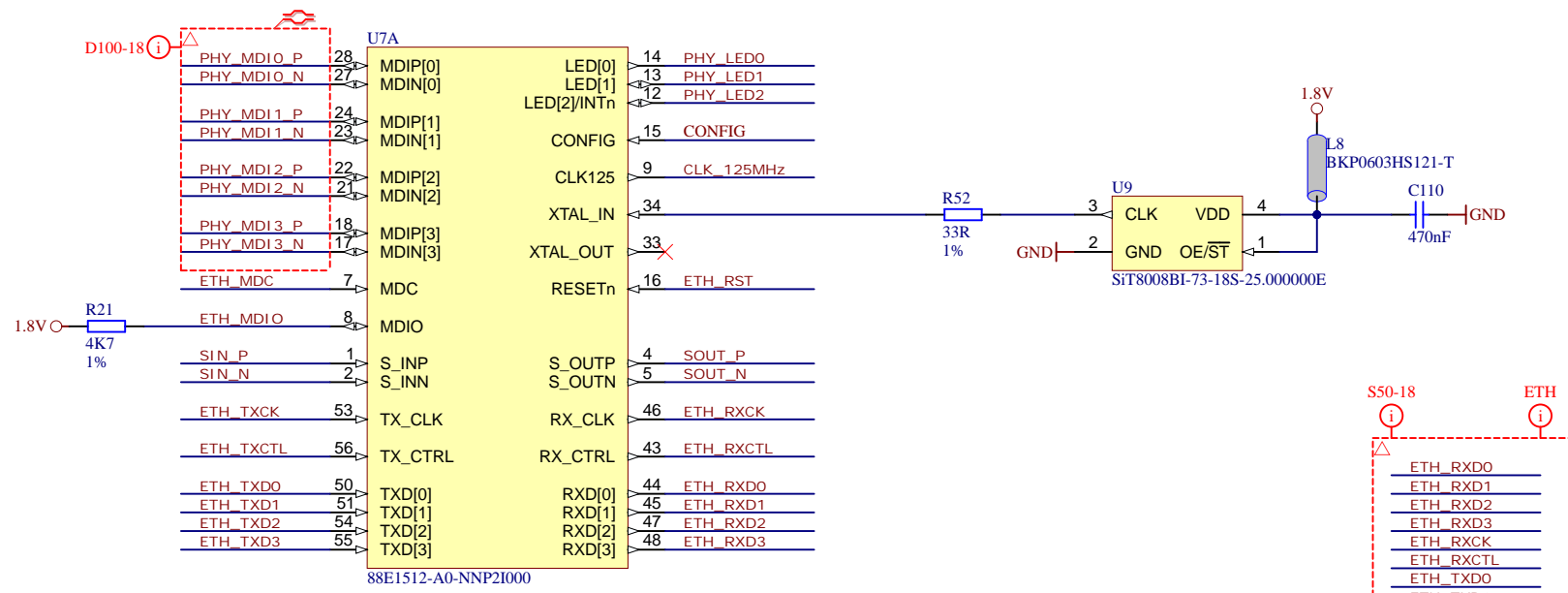
		Title: TE0715 - FPGA_Power	
		A4	Number: TE0715 73E33-A
Date: 2015-10-14		Copyright: Trenz Electronic GmbH / TT	
Filename: FGPA-POWER.SchDoc		Page 8 of 15	

A

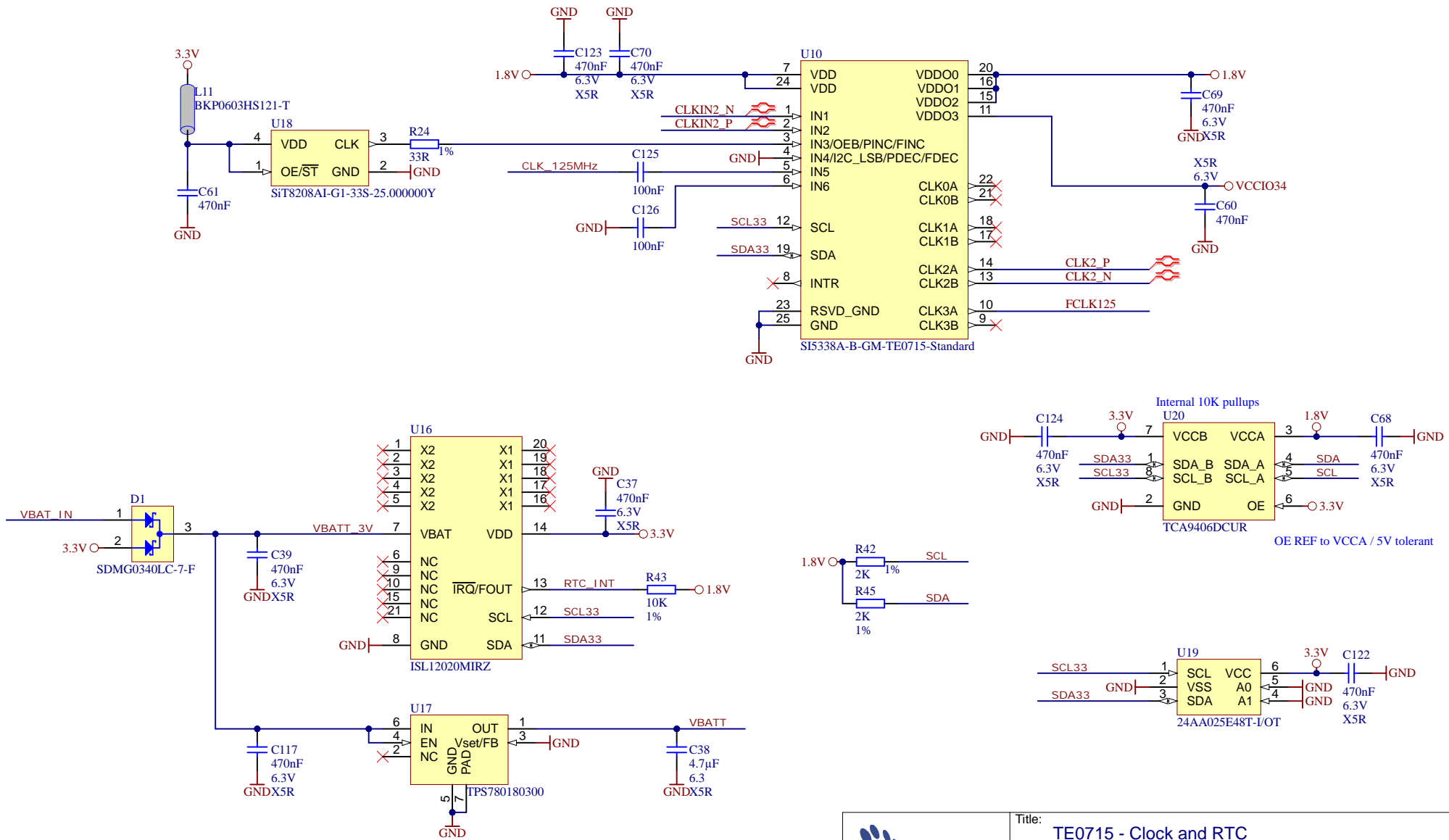
B

C

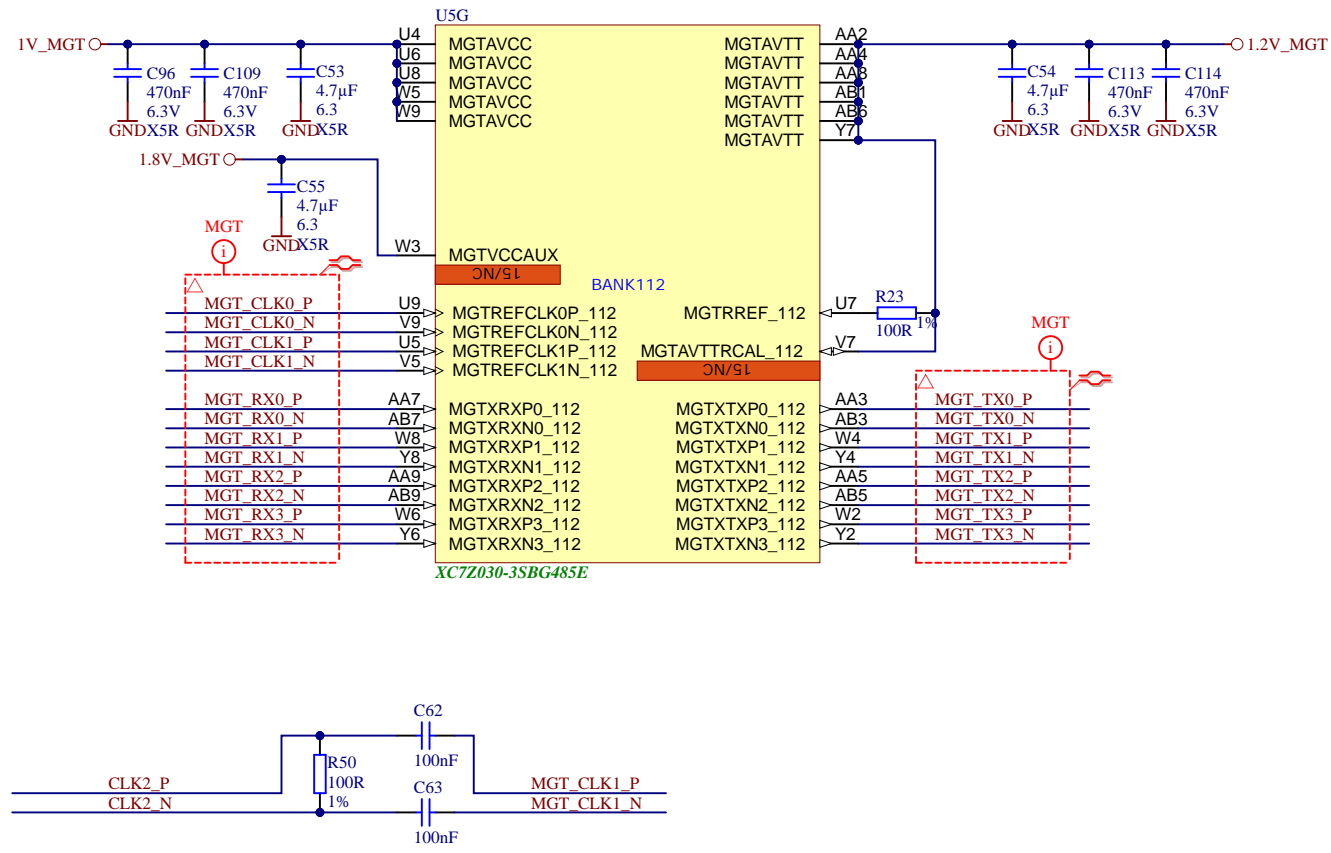
D



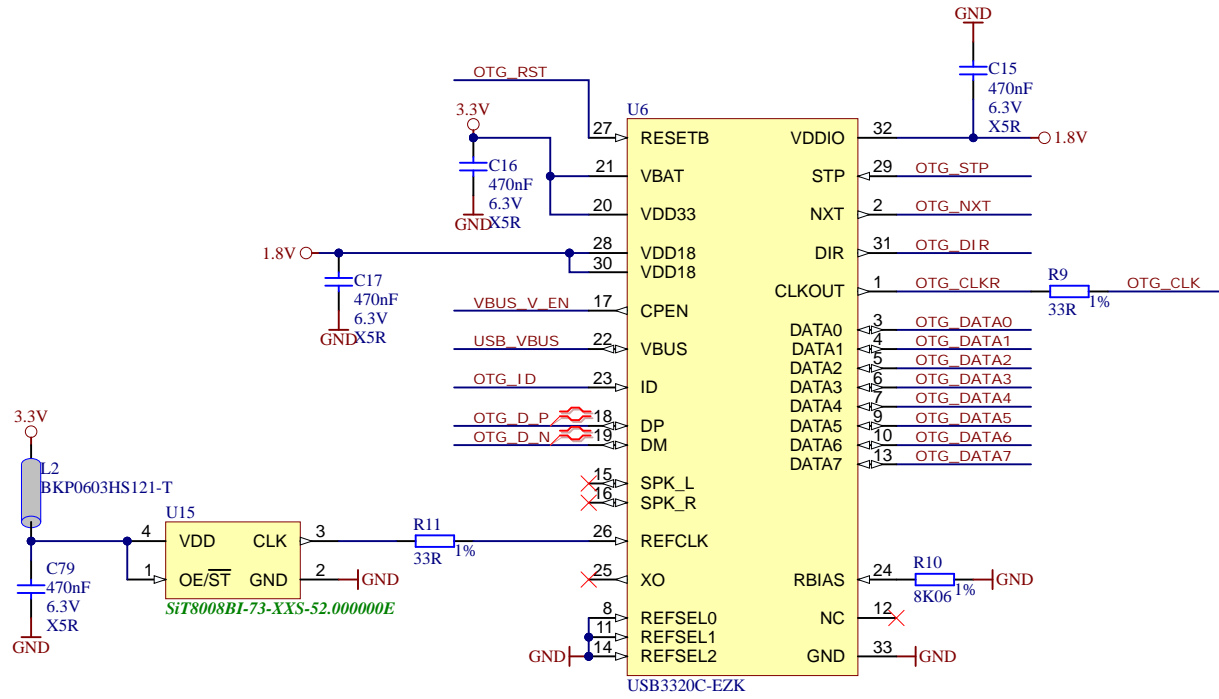
	Title: TE0715 - ETH_PHY		
	A4	Number: TE0715 73E33-A	Rev. 04
	Date: 2015-10-14	Copyright: 2013 Trenz Electronic GmbH	Page 10 of 15
	Filename: ETH-PHY.SchDoc		



Title: TE0715 - Clock and RTC		
A4	Number: TE0715 73E33-A	Rev. 04
Date: 2015-10-14	Copyright: Trenz Electronic GmbH	Page 11 of 15
Filename: Clock.SchDoc		



	Title: TE0715 - FPGA_MGT		
	A4	Number: TE0715 73E33-A	Rev. 04
	Date: 2015-10-14	Copyright: Trenz Electronic GmbH / TT	Page 12 of 15
	Filename: MGT.SchDoc		



	Title: TE0715 - USB_PHY	
	A4	Number: TE0715 73E33-A
	Date: 2015-10-14	Copyright: 2013 Trenz Electronic GmbH
	Rev. 04	Page 13 of 15
Filename: USB-PHY.SchDoc		

A

A

B

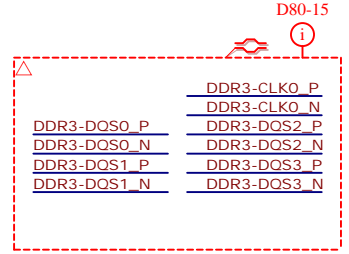
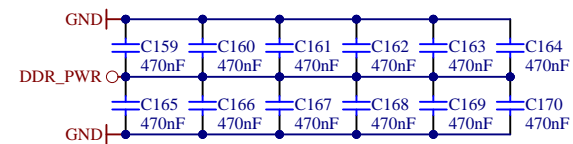
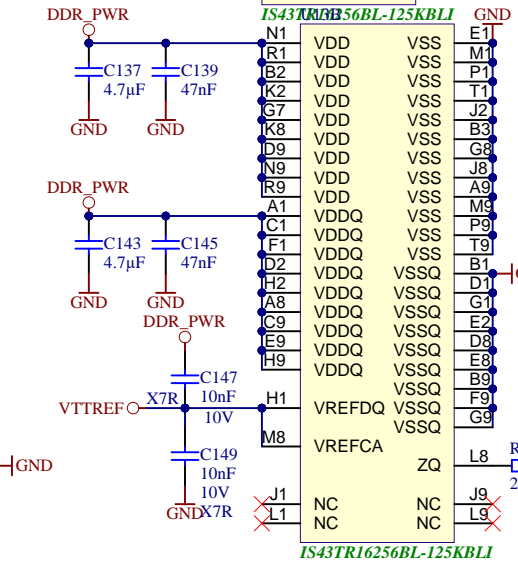
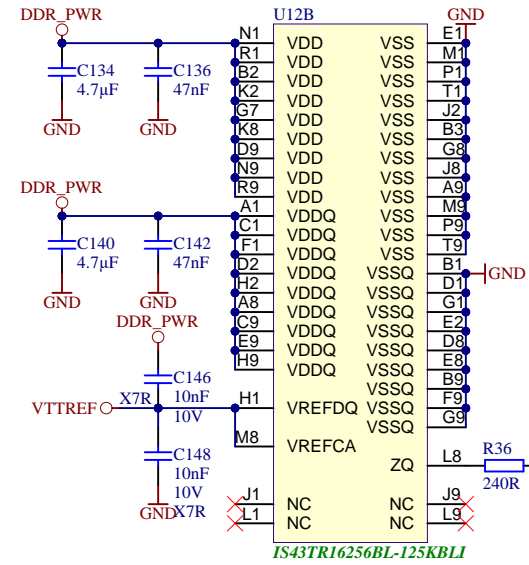
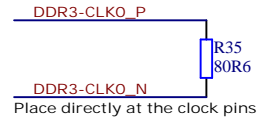
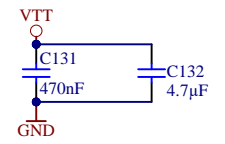
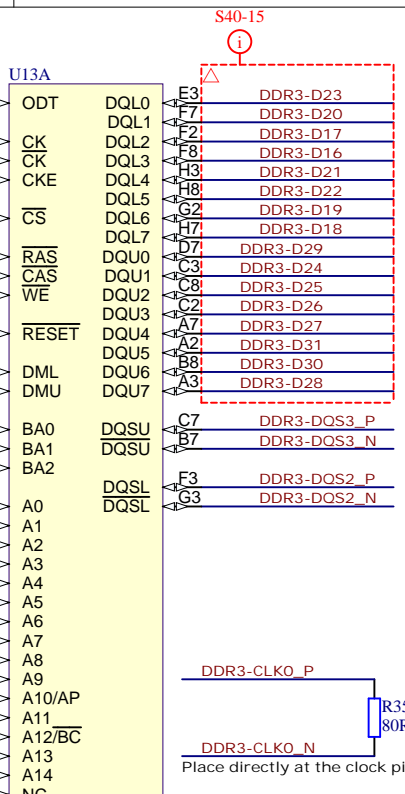
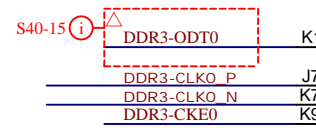
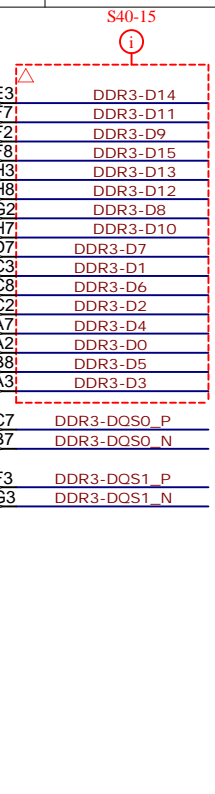
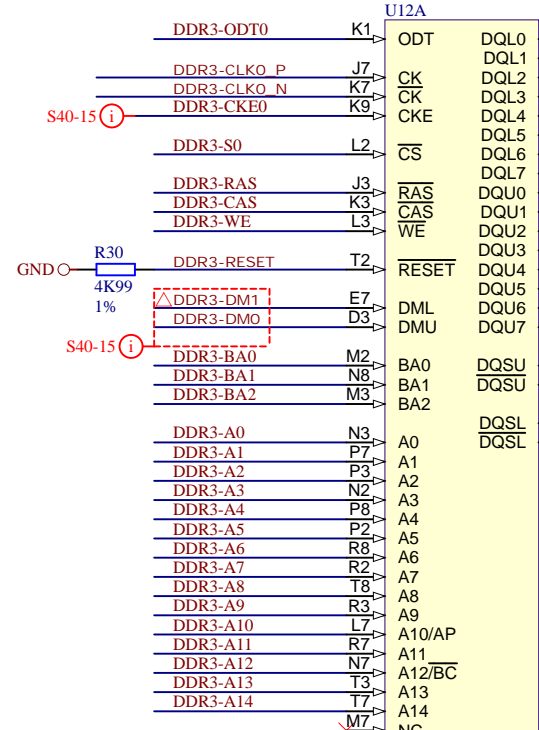
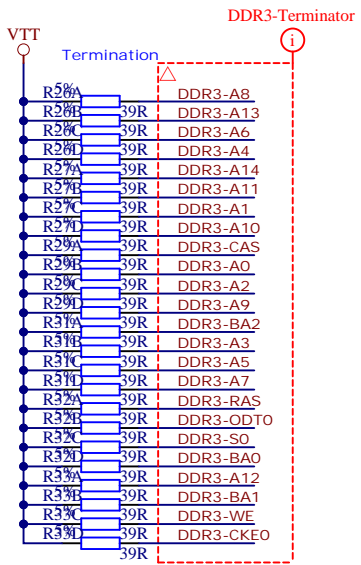
B

C

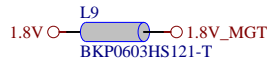
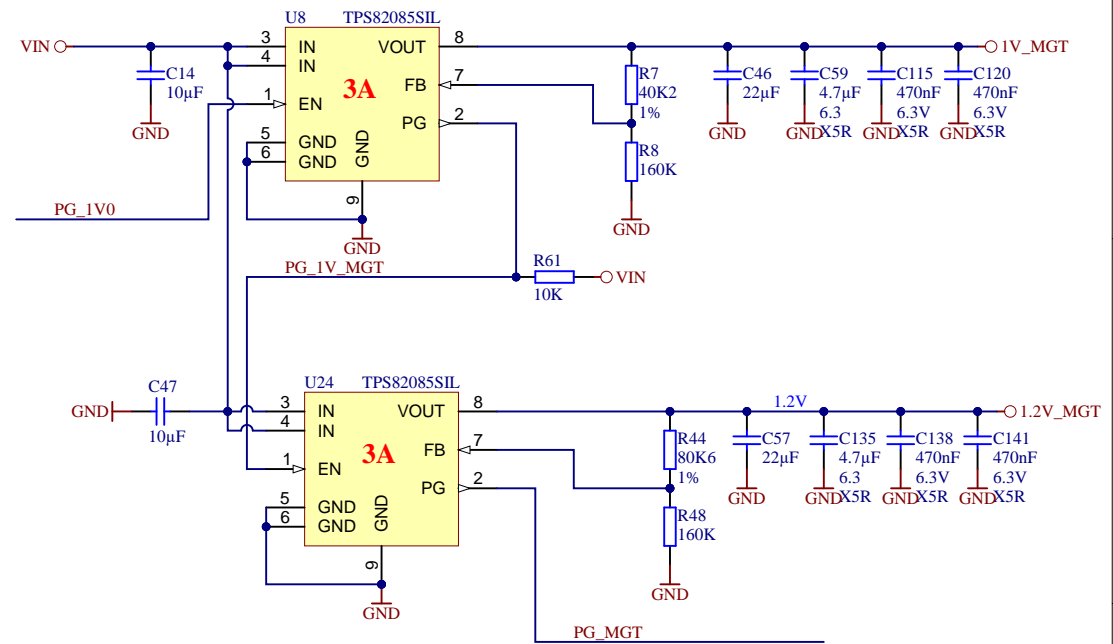
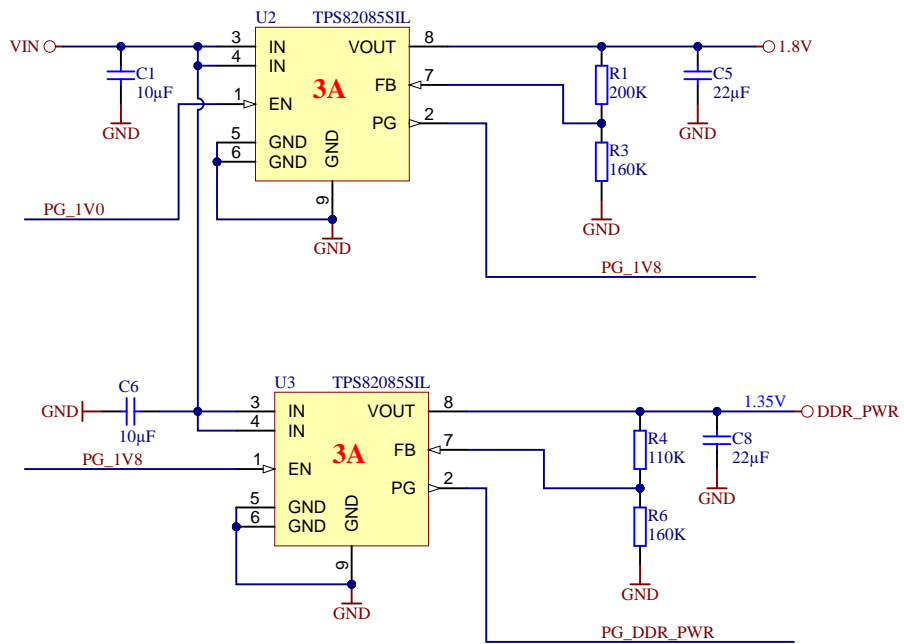
C


D

D



Title: TE0715 - DDR3_RAM		
A4	Number: TE0715 73E33-A	Rev. 04
Date: 2015-10-14	Copyright: 2013 Trenz Electronic GmbH	Page 14 of 15
Filename: DDR3-RAM.SchDoc		



	Title: TE0715 - Power		
	A4	Number: TE0715 73E33-A	Rev. 04
	Date: 2015-10-14	Copyright: Trenz Electronic GmbH / TT	Page 15 of 15
	Filename: POWER_2.SchDoc		

1

2

3

4

A

A

B

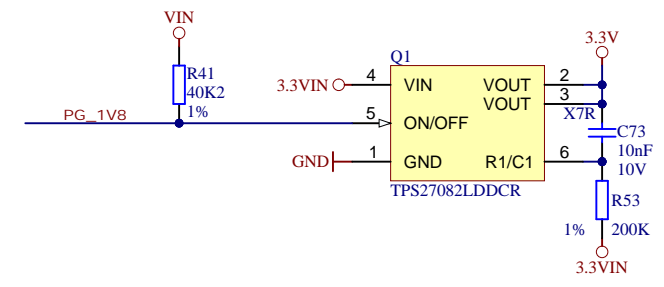
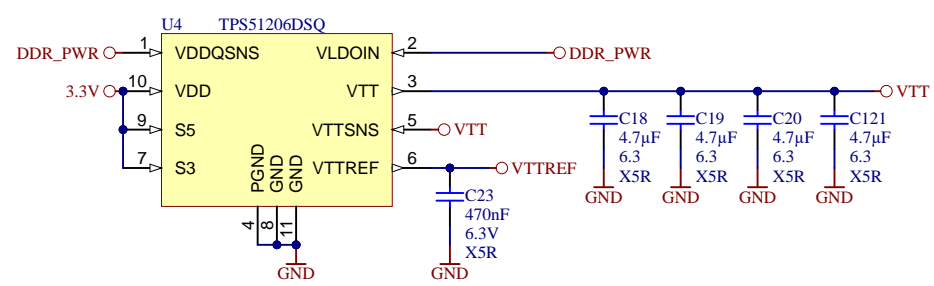
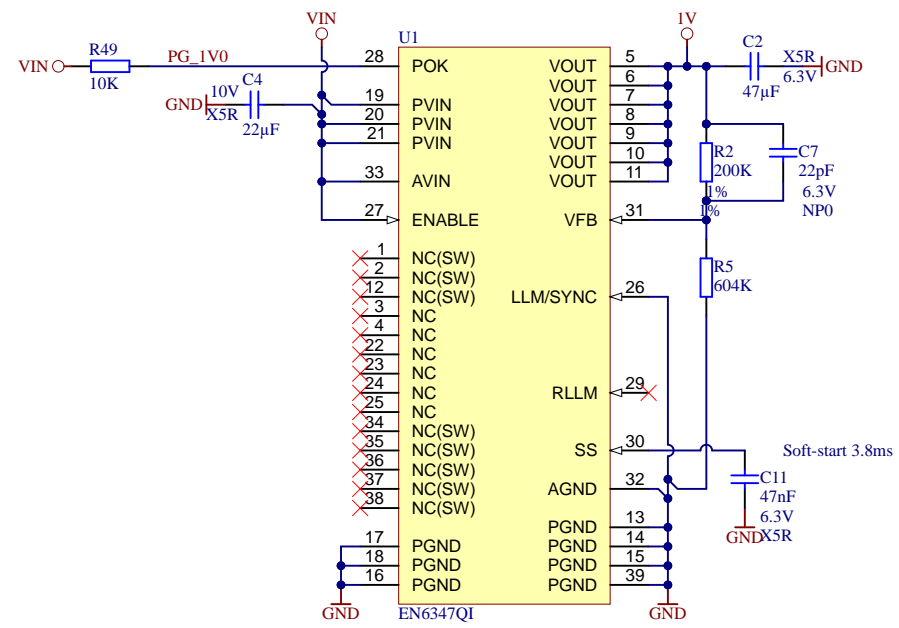
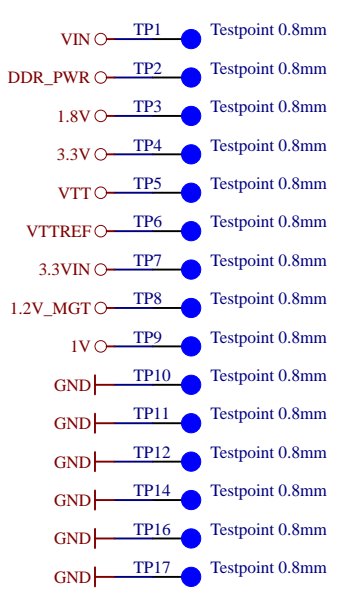
B

C

C

D

D



		Title: TE0715 - Power	
		A4	Number: TE0715 73E33-A
Date: 2015-10-14		Copyright: Trenz Electronic GmbH / TT	
Date: 2015-10-14		Page 15 of 15	
Filename: POWER.SchDoc			

1

2

3

4