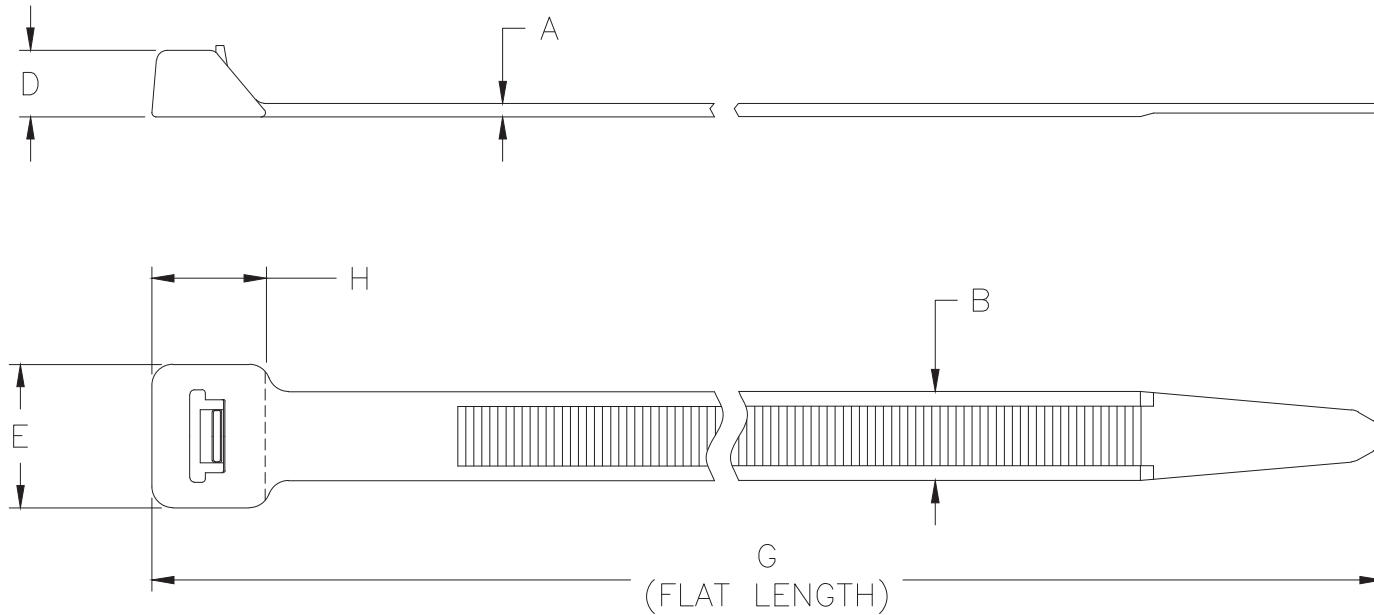


Revision level		Revision Record	Changed	Date	Approved	Date
part	drawing					
-	04	See ECN 015303	CTF	07/18/19	GAL	07/18/19



04

Aerospace Spec Tie SAEAS33671	Product Code	Cable Range (mm)	Material	A	B	D	E	G	H	Min Loop Tensile Strength (newtons)
no	RT255S_HIR	25 to 50	PA66HIRHSUV	1.8±0.2	12.6±0.3	9.3±0.3	20.0±0.5	225.0±5.0	15.5±1.2	1115

SEE CHART

Material

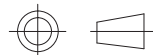
Dimension tolerances unless otherwise specified

- .XXXX = ± .0130
- .XXX = ± .130
- .XX = ± .30
- .X = ± .8
- ∠ = ± 0.5 °

Dimension Units mm

PERFORMANCE SPECIFICATION

ACAD MECH
2010



Drawn A.A.C. 04/07/03
Approved K.A.C. 04/25/11

Scale 1:1

Computer File Number
CT\CST\2252008_04

ALL PROPRIETARY RIGHTS IN THE SUBJECT MATTER SHOWN ON THIS DRAWING ARE EXCLUSIVE PROPERTY OF HELLERMANNNTYTON

HellermannTyton®

7930 N. Faulkner Rd.
Milwaukee, WI 53224
Ph: (414) 355-1130
Fx: (414) 362-8338

Title
**RT255S
250 LB RELEASABLE CABLE TIE
WITHOUT BUCKLE MOUNT**

Drawing-No

CT2252008CST

Format

AH

Sheet 1 of 1