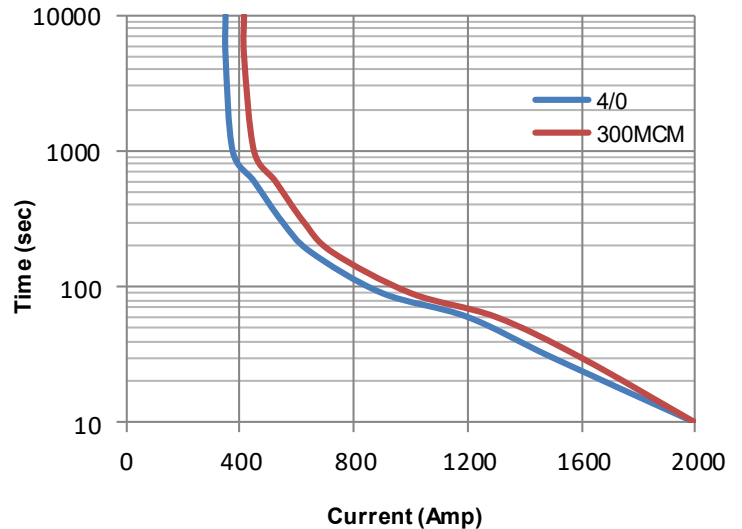


Key Features

| | |
|---------------------------------|---|
| EPIC® Seal | Ceramic to metal braze. Gas filled hermetic chamber protects key components. Exceeds IP69K standard |
| Temperature | Tested to temperatures up to 200°C |
| Contacts / Form | Silver / SPST / NO |
| Coil | Efficient two coil design with no PWM or EMI emissions. Coil suppression built in |
| High Shock and Vibration | For rugged environments, off-road and tracked vehicles |
| Installation | Not direction sensitive |
| Reference | MIL-R-6106, RoHS |

Current Carry vs Time
with 85°C terminal temperature rise



Power Terminals
Stainless M10 X 1.5 Stud
Stainless M10 X 1.5 Flanged Nut

Torque 9-10 Nm [80-90 in-lb]

Mounting Hardware
M5 [No. 10] Bolts (not incl.)

Torque 2-4 Nm [18-35 in-lb]

Case Material
25% GF Nylon 6/6, UL 94 V-O

| Technical Specification | |
|-----------------------------|---------------------------------------|
| Continuous Current | 400A w/ 300MCM (see graph on reverse) |
| Max Current—1 sec | 3000A |
| Max Current—10 sec | 2000A |
| Max Current—90 sec | 1000A |
| Contact Voltage Drop (max) | 150mV at 400A |
| Insulation Resistance (min) | 100MΩ (50MΩ after life) |
| Dielectric Withstanding | 1500VRMS (1050 VRMS after life) |
| Operate Time (max) | 20 msec (include bounce) |
| Release Time (max) | 12 msec |
| Weight | 1.1 lb with hardware (500 grams) |

MX54 _ D _

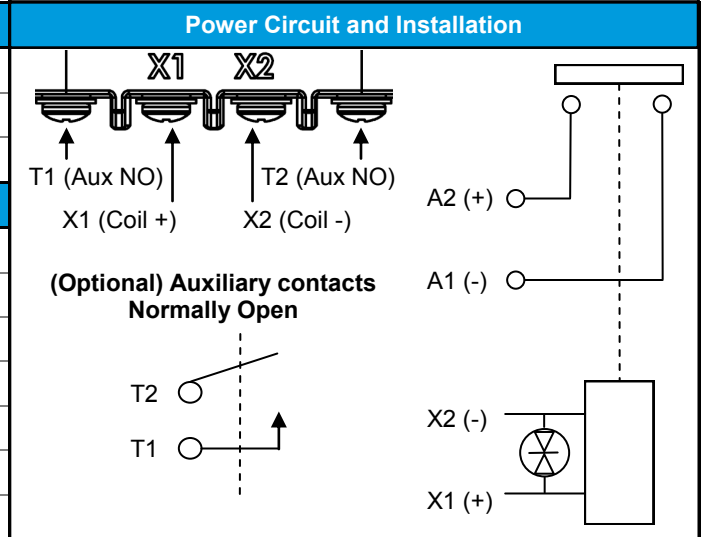
Coil Voltage: _____

B = 12V
C = 24V
F = 48V

Auxiliary Contacts: _____

Blank = none
B = SPST, Normally Open

| Resistive Load Switching | |
|--------------------------|----------------|
| 400A at 24 VDC | 100,000 cycles |
| Mechanical Life | 300,000 cycles |
| Fault Interrupt @ 28VDC | 3000A |



| Environmental Specifications | |
|--|---|
| Seal | Hermetic, 10 E-9 atm cc/sec |
| Temperature Range | -55°C to +100°C |
| Shock | Sawtooth @ 20G, 11ms, ½ Sine @ 25G, 11ms |
| Vibration | 10-2000 Hz, 20G |
| Water / Steam | 2750 psi waterjet, 105 psi steam, boiling water |
| Salt Spray Corrosion | MIL-STD-810G |
| Resistant to corrosion, chemicals, and fungal growth | |

| Auxiliary contacts (optional) - Form A, SPST Normally Open | |
|--|-------------|
| Switching Current (max) | 1A at 28VDC |
| Switching Current (min) | 0.1mA at 5V |

Coil Ratings at 25°C
 *Contact factory for additional coil voltages

| Coil P/N Designation | B | C | F |
|-----------------------------|--------------|--------------|-------------|
| Coil Voltage, Nominal | 12 VDC | 24 VDC | 48 VDC |
| Coil Voltage, Max | 16 VDC | 32 VDC | 64 VDC |
| Pick-Up Voltage, Max | 8 VDC | 16 VDC | 40 VDC |
| Drop-Out Voltage | 0.5 to 4 VDC | 2 to 7.5 VDC | 4 to 15 VDC |
| Pick-Up Current, Max (75ms) | 3.9 A | 1.6 A | 0.97 A |
| Coil Current | 0.23 A | 0.097 A | 0.042 A |
| Coil Power | 2.8 W | 2.3 W | 2 W |
| Internal Coil Suppression | Transorb | | |
| Coil Back EMF | 55 V | | 125 V |
| Transients, Max (13ms) | ±50 V | | ±75 V |
| Reverse Polarity | 16 V | 32 V | 64 V |



| Options and Accessories | |
|-------------------------|--|
| | |
| | |

GIGAVAC®

P.O. Box 4428
 Santa Barbara, CA 93140

www.gigavac.com info@gigavac.com +805-684-8401

Rev 6 27/Jan/22 © 2013 GIGAVAC, LLC Page 2 of 2 **MX54**