

4

3

2

1

THIS DRAWING IS UNPUBLISHED.

RELEASED FOR PUBLICATION

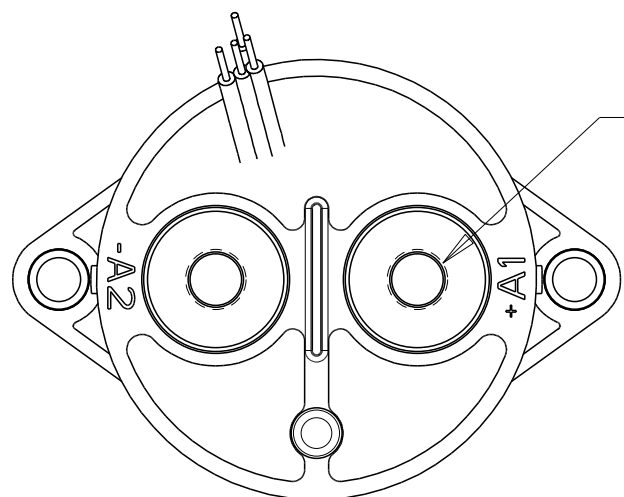
2018

© COPYRIGHT 2018 TE CONNECTIVITY

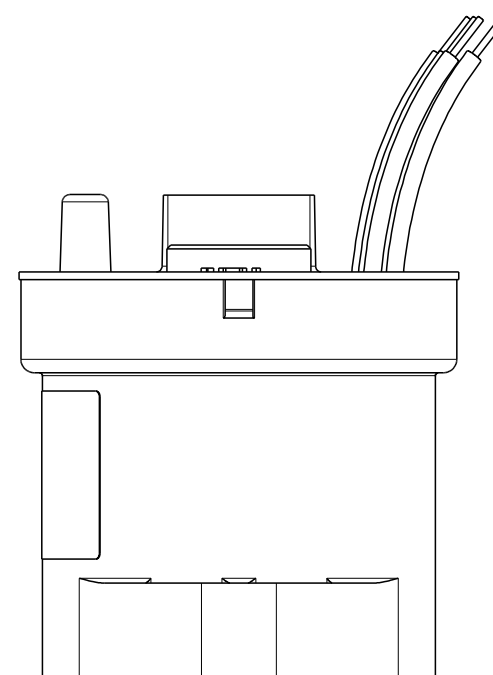
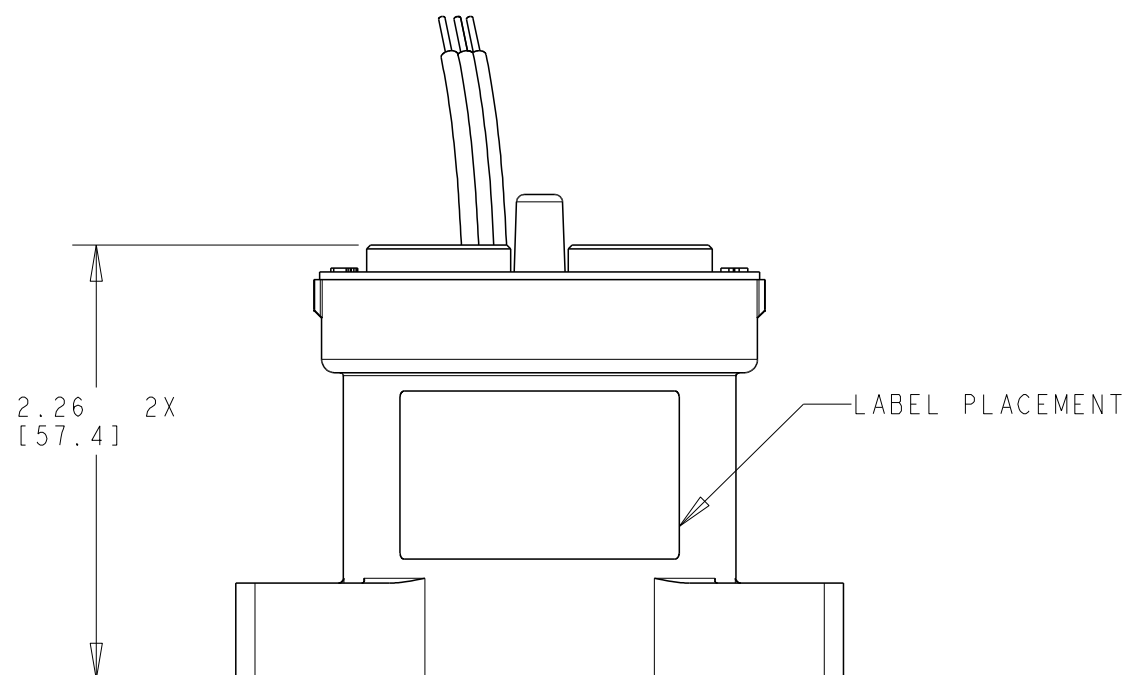
ALL RIGHTS RESERVED.

REVISIONS

P	LTR	DESCRIPTION	DATE	DWN	APVD
	1	DEV	03APR2018	MP	MP
	A	RELEASE TO PRODUCTION	10MAY2019	MP	MP



M8 X 1.25 D5 5H (2X)
 6 FULL THREADS MIN
 TORQUE HARDWARE (NOT SUPPLIED)
 100 IN-LBS (11.3 NM) MAX



- CONTROL WIRES (15" NOMINAL LENGTH):
 RED = +VDC
 BLACK = RETURN
 WHITE = (2 EA.) AUX COM-NO
 ALL WIRE RAYCHEM FLHTC6009-22, 1KV RATED
- CLOSE CONTACTS WITH STEP VOLTAGE APPLIED TO +VDC AND RETURN
- METRIC DIMENSIONS FOR REF ONLY
- WEIGHT 500 GRAMS MAX
- SEE PRODUCT DATA SHEET FOR PERFORMANCE SPECIFICATIONS

THIS DRAWING IS A CONTROLLED DOCUMENT.		DWN MP	03APR2018		
		CHK MP	04APR2018		
		APVD MP	04APR2018	NAME CONTACTOR, SPST-NO KILOVAC EV600 SERIES	
DIMENSIONS: INCH		TOLERANCES UNLESS OTHERWISE SPECIFIED:		PRODUCT SPEC -	
		0 PLC ±-		APPLICATION SPEC -	
		1 PLC ±		WEIGHT -	
MATERIAL -		FINISH -		SIZE A3	CAGE CODE 18741
				DRAWING NO C=EV600_SERIES	RESTRICTED TO -
		CUSTOMER DRAWING		SCALE 1:1	SHEET 1 OF 1
				REV A	

D

C

B

A