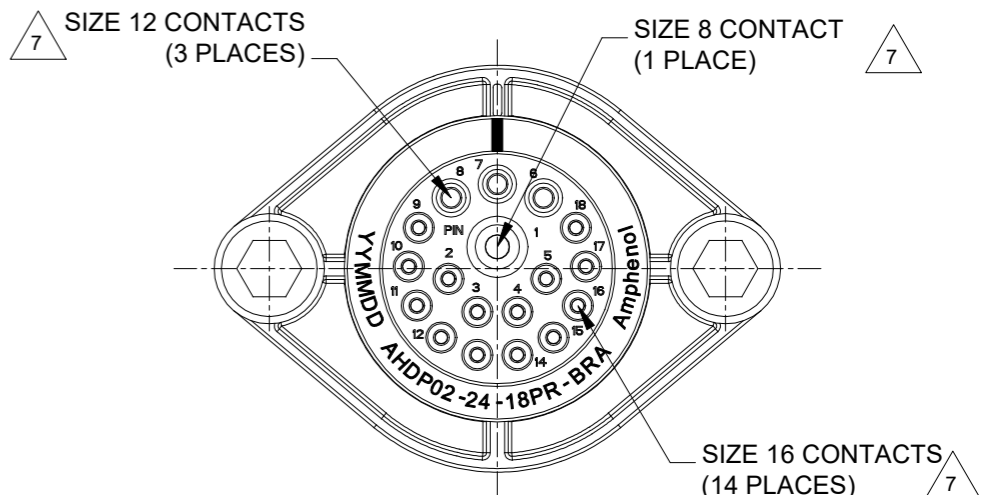
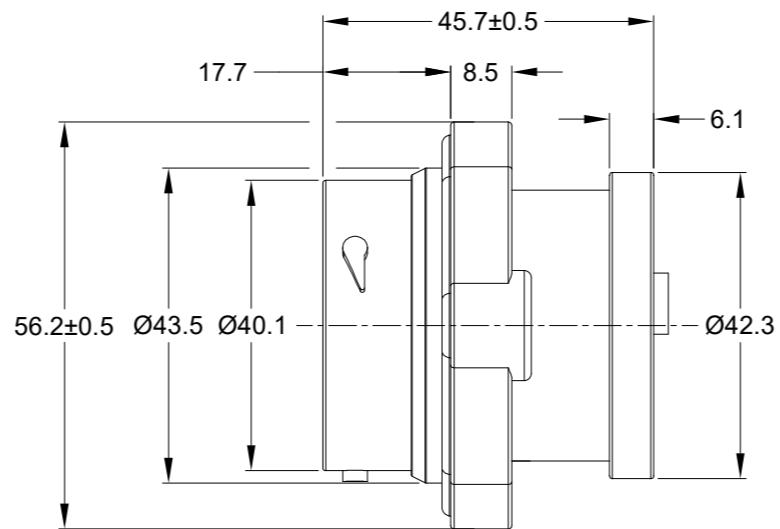
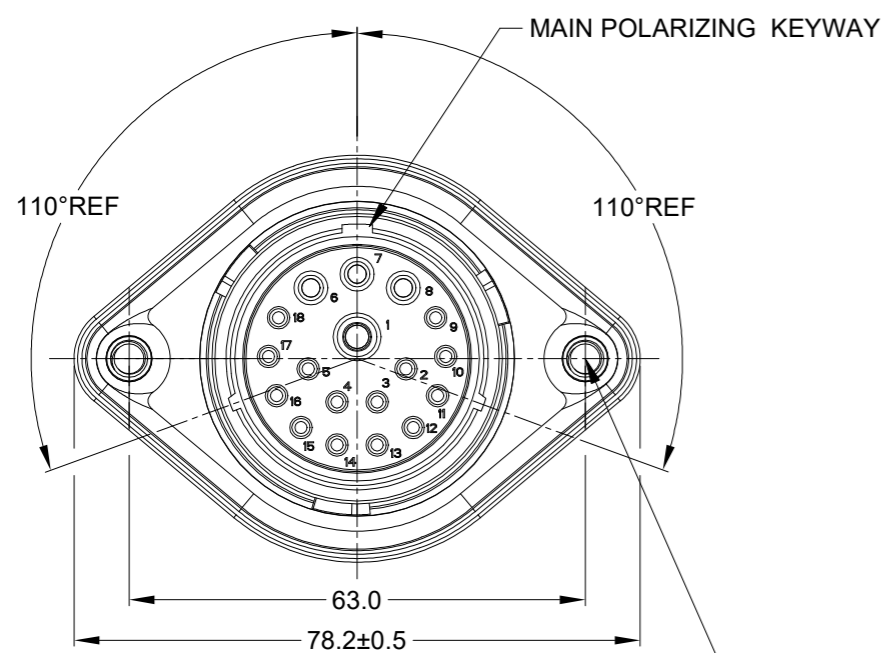
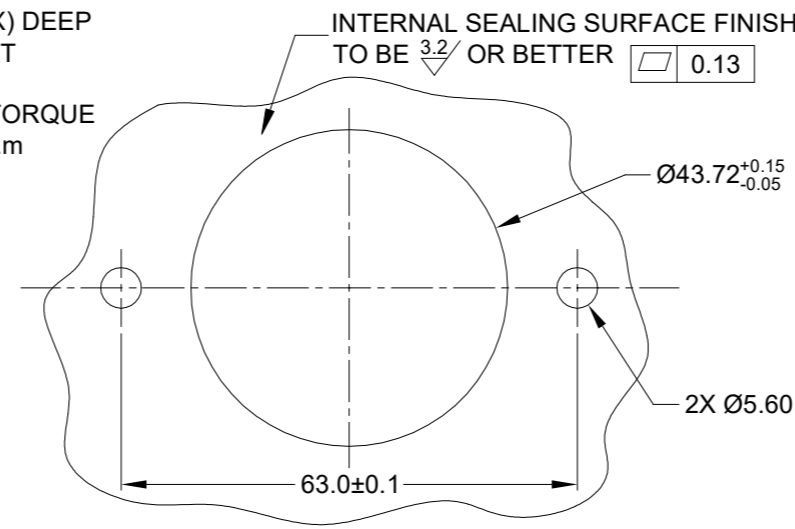


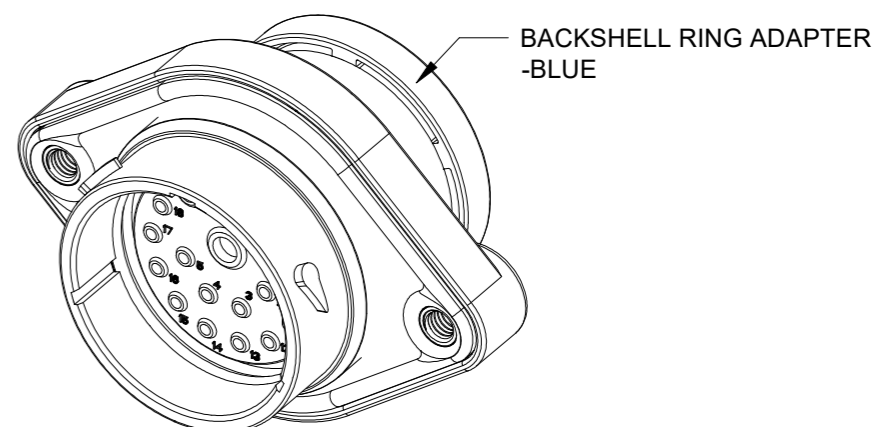
REVISIONS					
REV	ECO	DESCRIPTION	DATE	BY	APPR
A1	-	RELEASE NEW DRAWING	01/APR/22	MILO	TOMMY



M5X0.8-6H 8mm(2X) DEEP THREADED INSERT
 RECOMMENDED TORQUE VALUES: 1.9-2.2 N.m



RECOMMENDED PANEL MOUNTING HOLE
 RECOMMENDED PANEL THICKNESS: 1.6 TO 4.7MM



- NOTES: UNLESS OTHERWISE SPECIFIED
- MATERIAL:
HOUSING: THERMOPLASTIC; BLACK
SEAL: SILICONE RUBBER
 - MODIFICATIONS: BACKSHELL RING ADAPTER (BRA);
REDUCED DIA. WIRE SEAL
SEALED PANEL MOUNT
 - SPECIFICATIONS:
3.1 OPERATING TEMPERATURE: -55°C TO +125°C.
3.2 DIELECTRIC WITHSTANDING VOLTAGE: LESS THAN 2 MILLIAMPS CURRENT LEAKAGE @ 1500 VOLTS AC.
3.3 INSULATION RESISTANCE: 1000 MEGOHM MIN @ 25°C.
3.4 MOISTURE RESISTANCE:
IP68(IM OF WATER FOR A PERIOD OF 24 HOURS, MATED CONDITION);
IP69K(MATED CONDITION)
3.5 MATING CYCLE DURABILITY: 100 CYCLES
3.6 RoHS COMPLIANT
 - MATING PART: AHDP06-24-18S* (* = SEAL TYPE)
 - ALL DIMENSIONS ARE FOR REFERENCE USE ONLY.
 - RECEPTACLE IS SUPPLIED WITH DUST CAP(NOT SHOWN).

CONTACT SIZE AND WIRE RANGE:

CONTACT SIZE	MIN. INSUL O.D.	MAX. INSUL O.D.	TYPICAL WIRE RANGE	CURRENT RATING
8	3.43 mm (.135in)	5.59 mm (.220 in)	8-10 AWG (10.0-5.0mm ²)	60 AMPS
12	2.46 mm (.097 in)	4.01 mm (.158 in)	10-14 AWG (6.0-2.0mm ²)	25 AMPS
16	1.35 mm (.053 in)	3.05 mm (.120 in)	14-20 AWG (2.0-0.5mm ²)	13 AMPS

QUANTITY	AHDP02-24-18PR-BRA	PART NUMBER	DESCRIPTION	ITEM

MATERIALS LIST		
SIGNATURES	DATE	
DRAWN: MILO	01/APR/22	<h1>Amphenol</h1> <p>Sine Systems - www.amphenol-sine.com 44724 Morley Drive Clinton Township, MI 48036</p> <p>18 POS, RECEPTACLE, PIN, PANELMATE AHDP SIZE 24, RD SEAL, BRA</p>
CHECKED: SULLEN	02/APR/22	
ENGINEER:		
APPROVAL: TOMMY	06/APR/22	
MATERIAL SPECIFICATIONS:		
WEIGHT: 60.4g		
PROCESS SPECIFICATIONS:		
NEXT ASSY:		

SIZE	TYPE	DWG NO.	REVISION
B	C-	AHDP02-24-18PR-BRA	A1

SCALE	SHEET	OF
NONE	1	1

TITLE: 18 POS RECEPTACLE, PIN, PANELMATE AHDP SIZE 24, RD SEAL, BRA
 DWG NO: AHDP02-24-18PR-BRA
 REV: A1
 SH: 1
 OF: 1