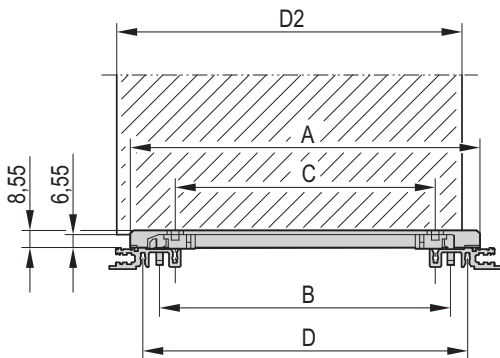
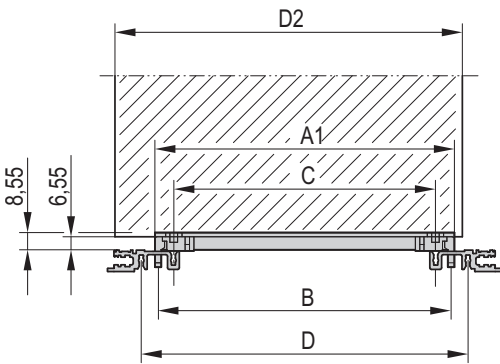
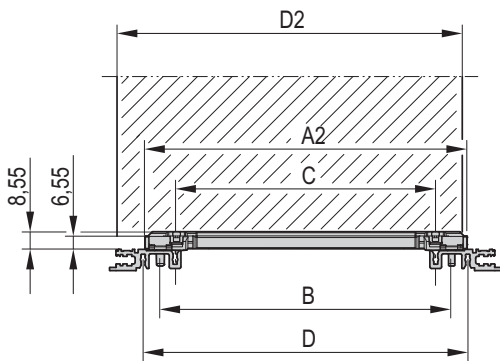
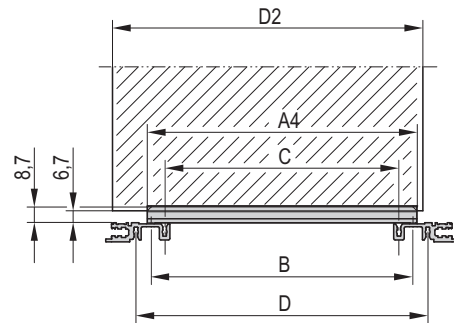
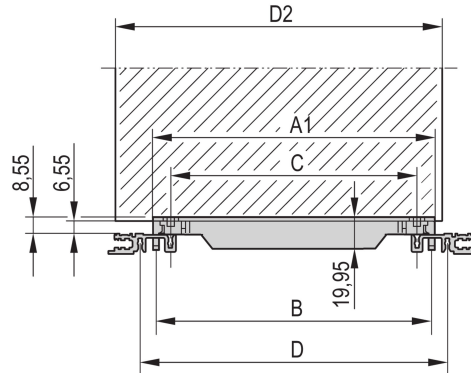


Subracks – EuropacPRO

DIMENSION DRAWINGS OF GUIDE RAILS

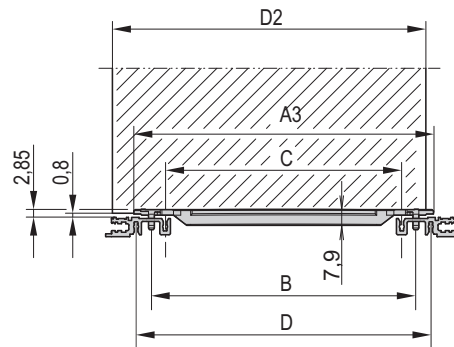
Standard

For accessories

CompactPCI, VME64x

Robust version


bza45808

For accessories, strengthened


06105074

bza45808

4.4" (111.7 mm)


122353577

06105068

06105069

Dimensions table									
Board length		Dimensions							
L	A	A1	A2	A3	A4	B	C	D	
mm	mm	mm	mm	mm	mm	mm	mm	mm	
70	71.5	47.9	59.39	63	49	45	30	60	
100	101.5	77.9	89.39	93	79	75	60	90	
160	161.5	137.9	149.39	153	139	135	120	150	
220	221.5	197.9	209.39	213	199	195	180	210	
280	281.5	257.9	269.39	273	259	255	240	270	
340	341.5	317.9	322.39	333	319	315	300	330	
400	401.5	377.9	389.39	393	379	375	360	390	

A, A1, A2, A3, A4: Length of rail

B: Pitch of snap-in fixing

C: Pitch of guide rail retention screws

D: Pitch of horizontal rail retention screws