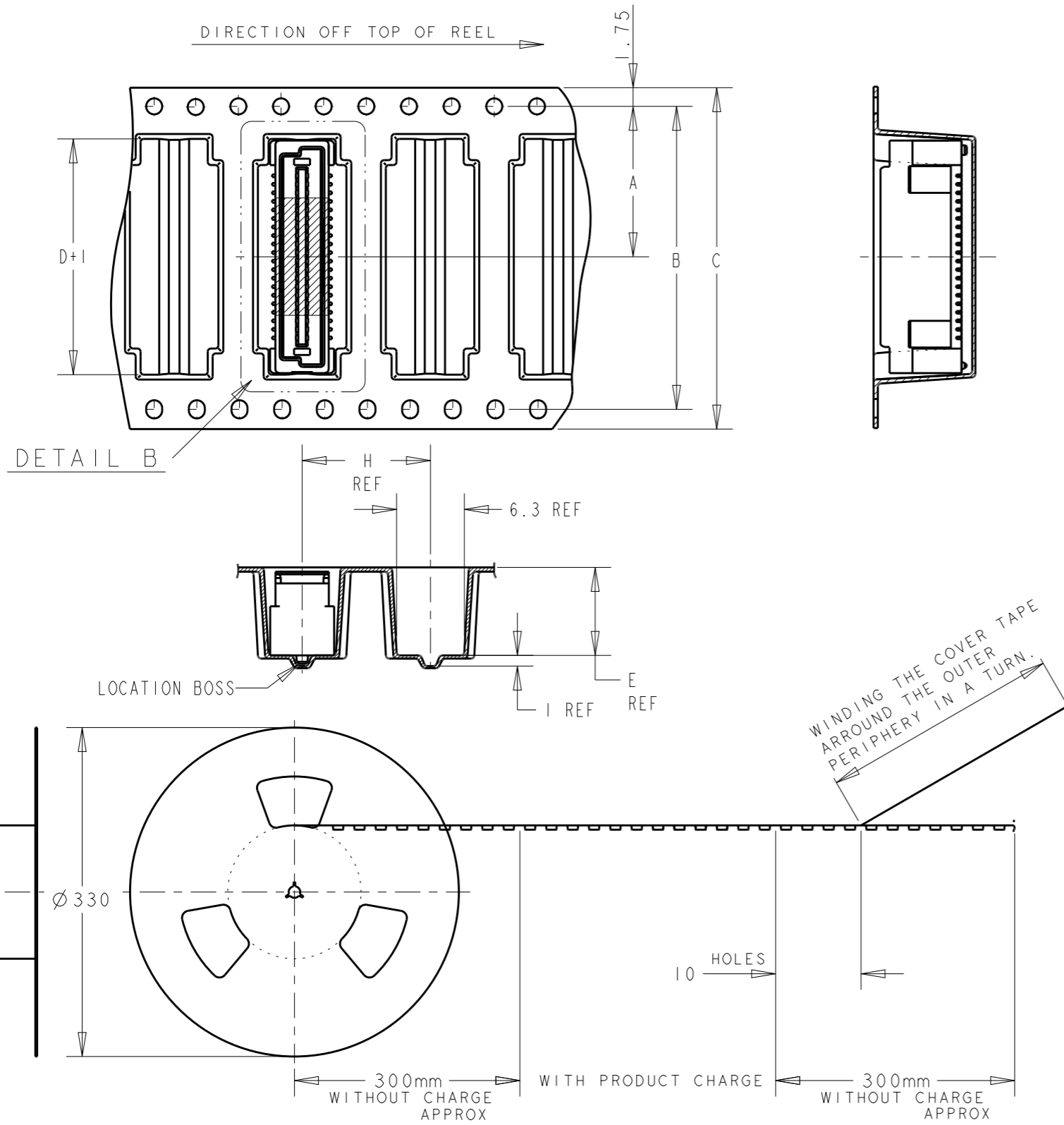


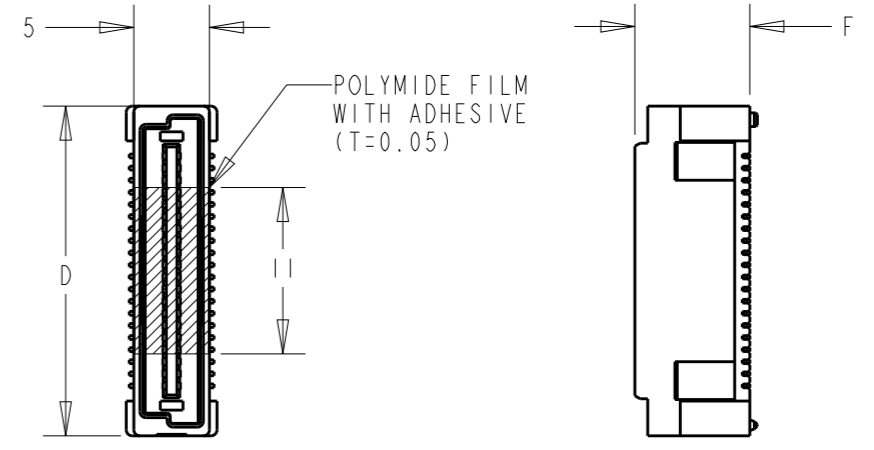
THIS DRAWING IS UNPUBLISHED. RELEASED FOR PUBLICATION  
 © COPYRIGHT BY TYCO ELECTRONICS CORPORATION. ALL RIGHTS RESERVED.

LOC	DIST	REVISIONS					
DY	-	P	LTR	DESCRIPTION	DATE	DWN	APVD
			A	REVISED PER ECO-17-018857	13DEC2017	R. L	H. L



NOTES:

- 1 MATERIAL:  
HOUSING: HIGH TEMP THERMOPLASTICS UL94-V0  
CONTACTS: COPPER ALLOY
- 2 FINISH:  
UNDERPLATE: 1.3um MIN NICKEL  
MATING AREA: 0.20um MIN Au  
SOLDERTAIL: 2.0um MIN Sn



DETAIL B

08Au/Sn	NOT AVAILABLE			16			85.8	104	100.4	50.2	200	1-	-0
				16			77.8	104	100.4	50.2	180		-9
				16			69.8	88	84.4	42.2	160		-8
				16			61.8	88	84.4	42.2	140		-6
	AVAILABLE	400		16		53.8	72	68.4	34.2	120		-5	
	NOT AVAILABLE			12		45.8	72	68.4	34.2	100		-4	
AVAILABLE			12		37.8	56	52.4	26.2	80		-3		
			12		29.8	44	40.4	20.2	60		-2		
AVAILABLE	600	8H	12	7.6	8.25	21.8	32	28.4	14.2	40	1735434-1		
REMARKS	TOOLING STATUS	QTY	HEIGHT TYPE	H	F	E	D	C	B	A	POS	PART NO.	

THIS DRAWING IS A CONTROLLED DOCUMENT FOR TYCO ELECTRONICS CORPORATION  
 IT IS SUBJECT TO CHANGE AND THE CONTROLLING ENGINEERING ORGANIZATION  
 SHOULD BE CONTACTED FOR THE LATEST REVISION.

DIMENSIONS: mm		TOLERANCES UNLESS OTHERWISE SPECIFIED:	
	0 PLC ±.1	1 PLC ±0.3	2 PLC ±0.25
	3 PLC ±.	4 PLC ±.	ANGLES ±3°
MATERIAL	FINISH		
1	2		

DWN WYLEE 18MAY2007  
 CHK YJ SEE  
 APVD SE LEONG  
 PRODUCT SPEC 108-5390  
 APPLICATION SPEC 114-5254  
 WEIGHT -

**Tyco Electronics** Tyco Electronics Singapore Pte. Ltd.

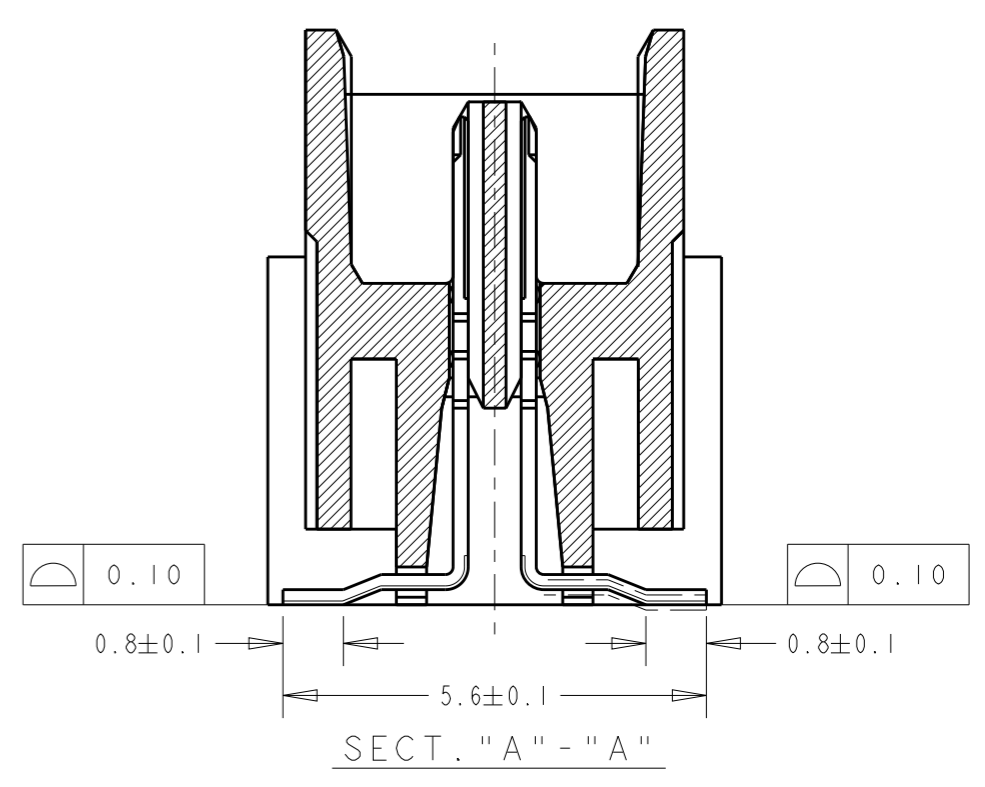
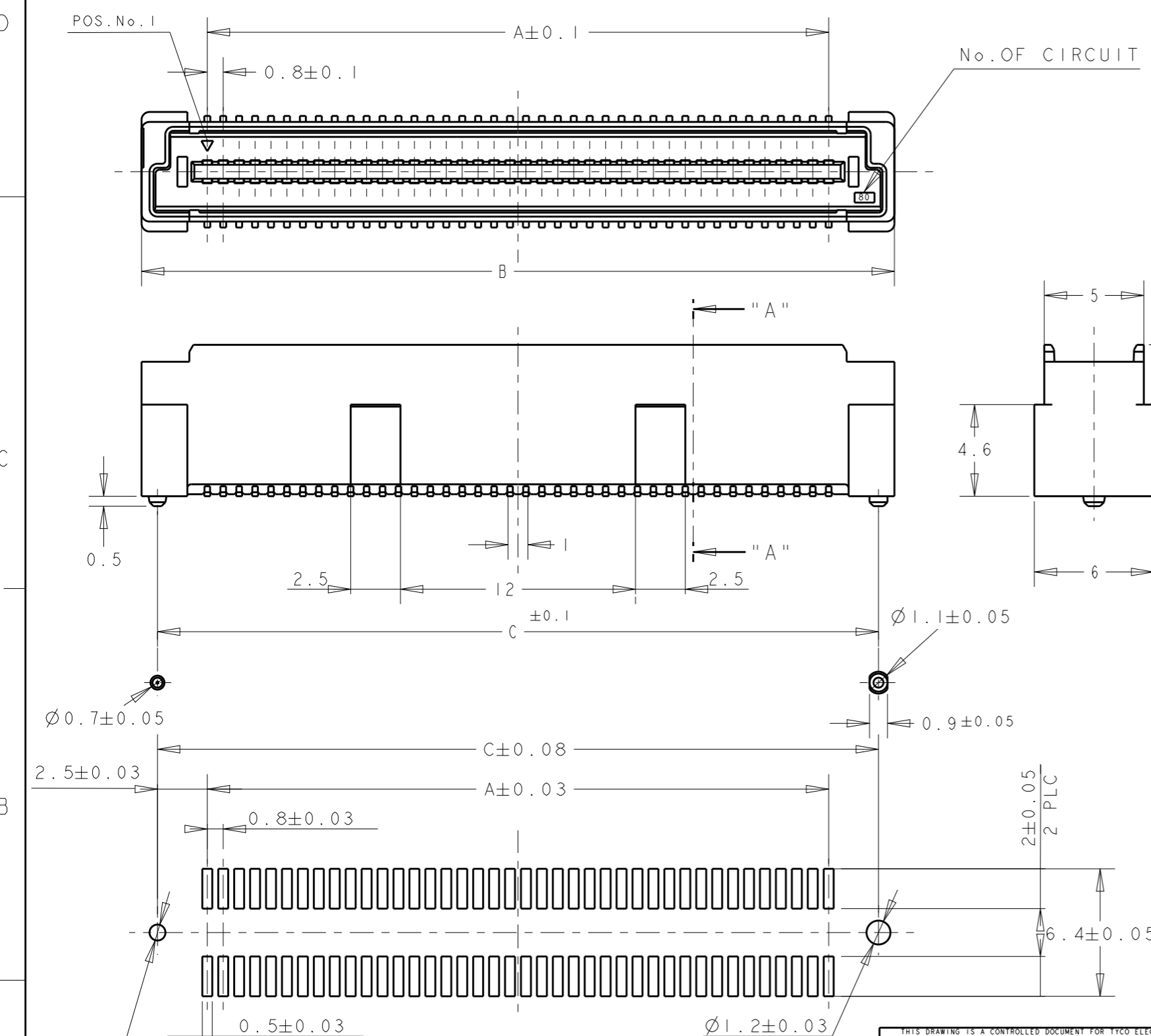
NAME: PLUG ASSY FOR 0.8 FH BTB CONN. 8mm HEIGHT (0.5mm BOSS LENGTH), ON EMBOSS TAPING WITH POLYIMIDE FILM, LF

SIZE	CAGE CODE	DRAWING NO	RESTRICTED TO
A3	00779	1735434	

CUSTOMER DRAWING SCALE 2:1 SHEET 1 OF 2 REV A

(A) ADD CONNECTOR INFORMATION

LOC	DIST	REVISIONS					
DY	-	P	LTR	DESCRIPTION	DATE	DWN	APVD
				SEE SHEET 1			



84.2	85.8	79.2	200	1-	-0
76.2	77.8	71.2	180		-9
68.2	69.8	63.2	160		-8
60.2	61.8	55.2	140		-6
52.2	53.8	47.2	120		-5
44.2	45.8	39.2	100		-4
36.2	37.8	31.2	80		-3
28.2	29.8	23.2	60		-2
20.2	21.8	15.2	40		1735434-1
C	B	A	POS.	CONN P/N	

NOTES:  
 1 MATERIAL:  
 HOUSING: L.C.P(HIGH TEMP THERMO PLASTIC)  
 UL 94V-0, NATURAL.  
 CONTACT: BRASS.  
 2 FINISH:  
 CONTACT AREA: 0.0002 MIN GOLD  
 SOLDERING AREA: 0.0020 MIN MATTE-TIN  
 UNDERPLATE: 0.0013 MIN NICKEL ALL OVER

THIS DRAWING IS A CONTROLLED DOCUMENT FOR TYCO ELECTRONICS CORPORATION  
 IT IS SUBJECT TO CHANGE AND THE CONTROLLING ENGINEERING ORGANIZATION  
 SHOULD BE CONTACTED FOR THE LATEST REVISION.

DIMENSIONS:	TOLERANCES UNLESS OTHERWISE SPECIFIED:
mm	0 PLC ±.1
	1 PLC ±0.3
	2 PLC ±0.25
	3 PLC ±.
	4 PLC ±.
	ANGLES ±3°
MATERIAL	FINISH

DWN	WYLEE	18MAY2007	Tyco Electronics Singapore Pte. Ltd.		
CHK	YJ SEE		NAME		
APVD	SEIFONG		PLUG ASSY FOR 0.8 FH BTB CONN. 8mm HEIGHT (0.5mm BOSS LENGTH), ON EMBOSS TAPING WITH POLYIMIDE FILM, LF		
PRODUCT SPEC	108-5390		SIZE	CAGE CODE	DRAWING NO
APPLICATION SPEC	114-5254		A3	00779	C- 1735434
WEIGHT	-		RESTRICTED TO		
CUSTOMER DRAWING			SCALE	SHEET	REV
			2:1	2 OF 2	A