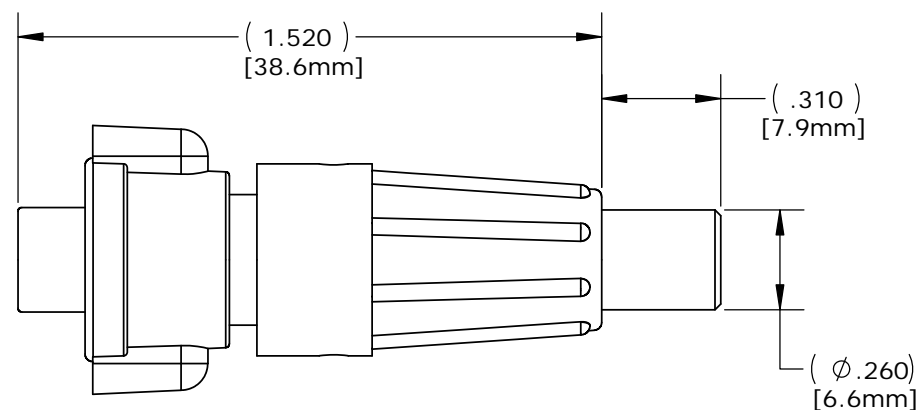
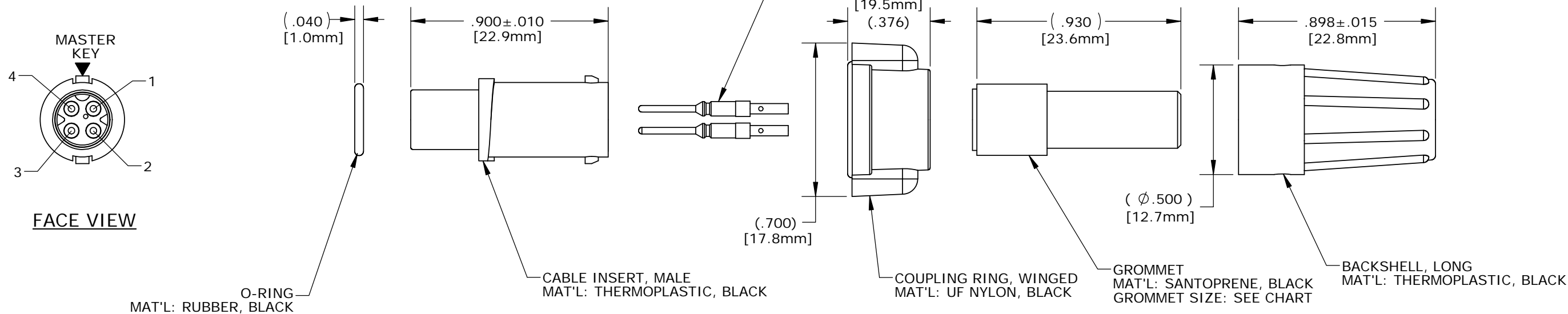


- NOTES:**  
 1. PARTS ARE TO BE BULKED PACKED.  
 2. PARENTHESIS ( ) INDICATE REFERENCE DIMENSION.  
 3. BRACKETS [ ] INDICATE METRIC DIMENSIONS.

ASS'Y P/N	CABLE O.D.
16880-4PG-518W	0.175 - 0.185 [4.4-4.7]
16880-4PG-521W	0.205 - 0.215 [5.2-5.5]
16880-4PG-522W	0.215 - 0.225 [5.5-5.7]

GROMMET SIZE



**ASSEMBLED KIT VIEW**  
FOR CUSTOMER REFERENCE ONLY

**CUSTOMER APPROVAL**

THIS DOCUMENT CONTAINS CONFIDENTIAL INFORMATION PROPRIETARY TO CONXALL CORPORATION. ANY REPRODUCTION, DISCLOSURE, OR USE OF THIS DOCUMENT /INFORMATION IS EXPRESSLY PROHIBITED UNLESS AUTHORIZED IN WRITING BY CONXALL CORPORATION.

APPROVED BY: \_\_\_\_\_  
 DATE: \_\_\_\_\_

**RoHS COMPLIANT**

A	JD	03-25-14	DRAWING CREATED PER DOR 14-149SL(6)	
REV.	INIT.	DATE	DESCRIPTION	
	PAK	02/24/10	CABLE CONNECTOR KIT (4) PIN CONTACT, CRIMP MICRO-CON-X STANDARD PRODUCT	
ALL INFORMATION ILLUSTRATED IS THE PROPERTY OF "CONXALL CORPORATION." UNAUTHORIZED DUPLICATION OR DISTRIBUTION OF THIS DOCUMENT IS PROHIBITED.			601 E. WILDWOOD VILLA PARK, IL 60181	
ALL UNITS ARE IN FEET, INCHES, FRACTION OF INCHES AND DECIMALS.			TITLE: CABLE CONNECTOR KIT (4) PIN CONTACT, CRIMP MICRO-CON-X STANDARD PRODUCT CUSTOMER:	
SCALE	SIZE	SHEET		
NTS	B	1 OF 1		
FILE:	DIRECTORY:	PART NUMBER:	REV	
16880-4PG-5XXW	SLW	16880-4PG-5XXW	A	