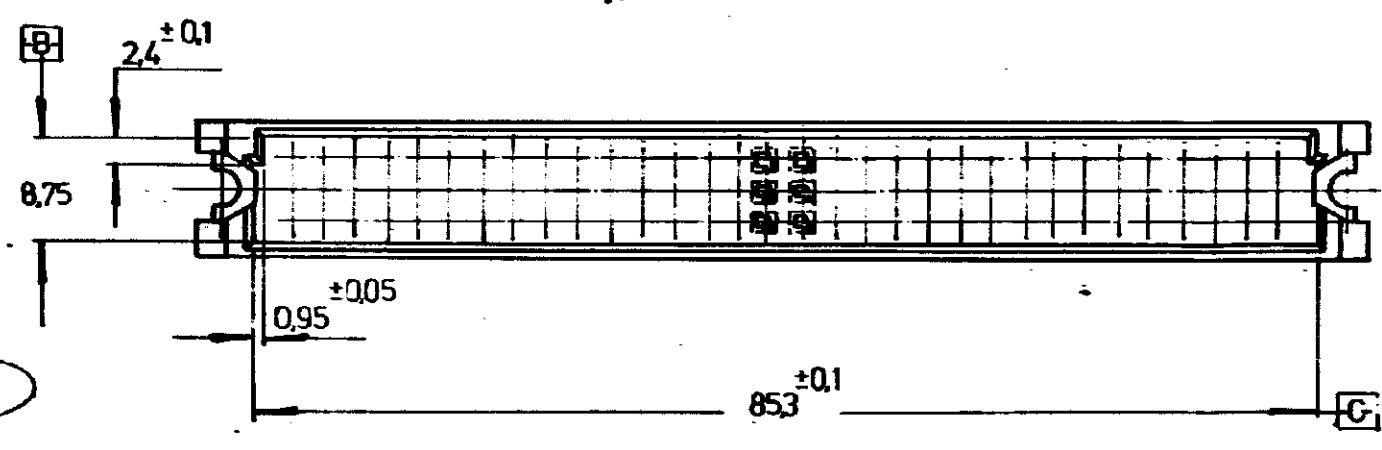
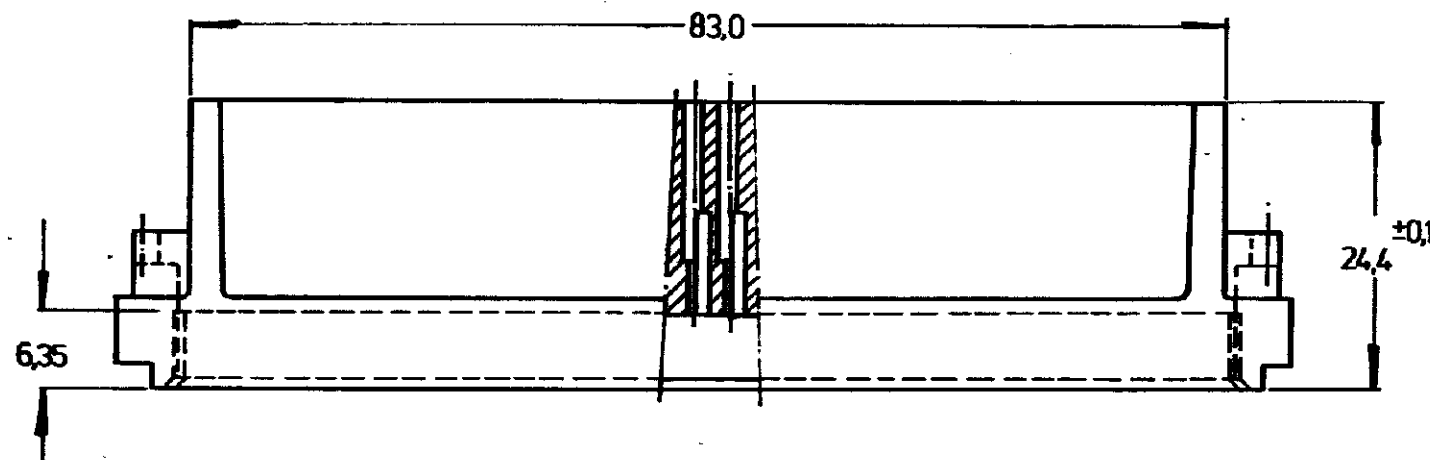
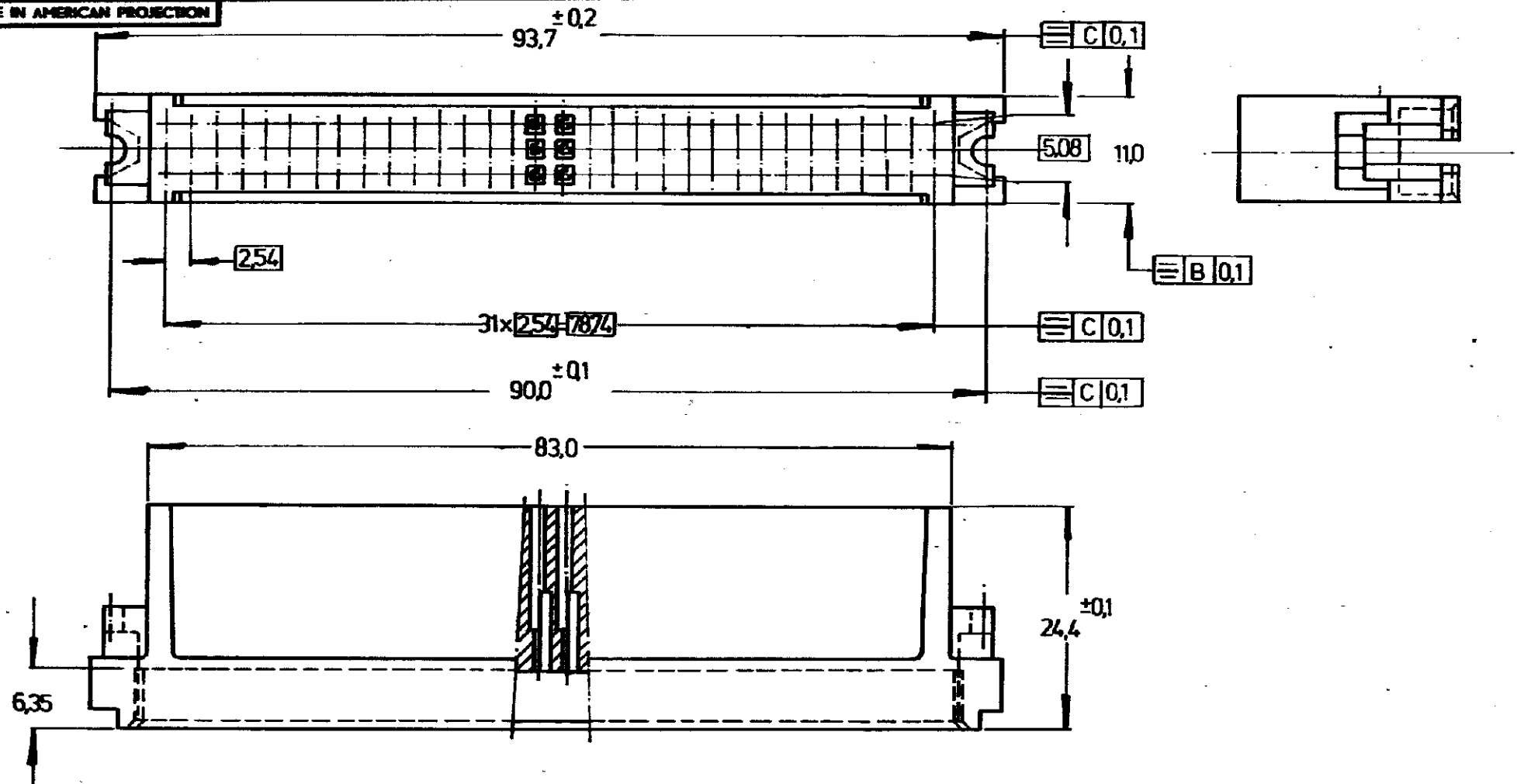



DRAWING MADE IN AMERICAN PROJECTION



DIMENSIONS IN M.M. DO NOT SCALE PRINT

166467-1		Glassfilled Polyester	Steel
ORDER NO.	MATERIAL	PLATING	
CUSTOMER COPY FOR REFERENCE ONLY			
DR <i>C.F. Swanson 30th June 60</i>	DATE	© 1960 BY AMP-HOLLAND N.V. ALL RIGHTS RESERVED A-MP PRODUCTS COVERED BY PATENTS AND/OR PATENTS PENDING.	
CHK	DATE	 AMP - HOLLAND N.V. 's-Hertogenbosch	
DE	DATE		
APP <i>[Signature]</i>	DATE 30.6.60	WIRE-RANGE	INSUL-RANGE
SCALE 2:1		SIZE B	NO C_166467_E
NAME 96 POC. I.E.C. C MALE "COSI" HSG		REV 8	

NOT the LATEST REVISION