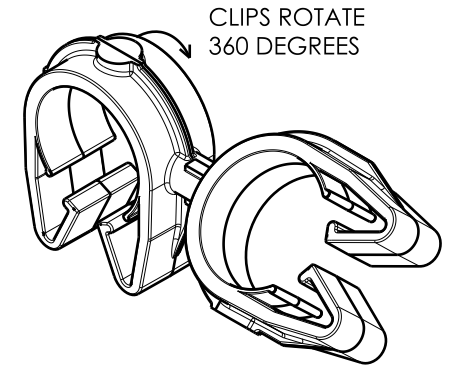
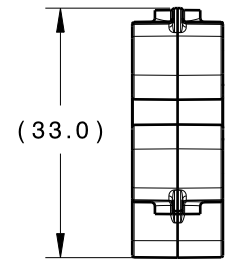
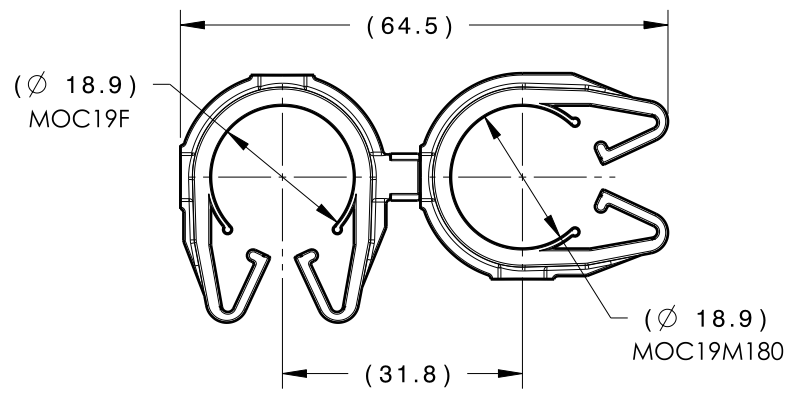
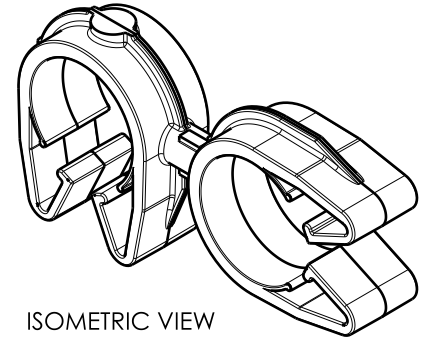


Revision Level			Revision Record	Changed	Date	Approved	Date
Drawing	State	Part					
00.1	Design Release	-	SEE ECN# 014774	TAT	12/3/2018	EJH	12/3/2018



TYPE	MOC19F	MOC19M180
HARNESS	17.0MM – 20.0MM	17.0MM – 20.0MM
HOSE	17.0MM – 20.0MM	17.0MM – 20.0MM
HARD PIPE/TUBE	19.0MM – 21.8MM	19.0MM – 21.8MM

*RECOMMENDED SIZES MAY DIFFER DEPENDING ON THE APPLICATION , PRODUCT REQUIREMENTS AND MATERIALS USED

**PATENT PENDING 29/582,271

GLOBAL PART DESCRIPTION	MOC19F**			MOC19M180**		
	DRAWING	MATERIAL	COLOR	DRAWING	MATERIAL	COLOR
MOC19FMOC19M180-PA66HIRHSUV-BK	16-0322-000-CSU	PA66HIRHSUV	BLACK	16-0322-000-CSU	PA66HIRHSUV	BLACK

Material SEE CHART COLOR: SEE CHART	Units	millimeters	The copyright of this drawing is reserved by HellermannTyton. It is issued on condition that it is not reproduced, copied or disclosed to a third party, either wholly or in part, without the consent of HellermannTyton.	Drawn	CJR	10/1/18	Article/Type-No	MOC19FMOC19M180		Scale	1:1
	Tolerance defined on each dimension	Approved		TAT	10/1/18	Title		19MM MOC COUPLED TO A 19MM MOC M180		Project Number	16-0330
		HellermannTyton			Drawing-No		PRODUCTION : Phase		Format	AH	
							North America Email: corp@htamericas.com Web: www.hellermann.tyton.com			16-0330-661-CSU	