

**60**mm sq.

# San Ace 60



## General Specifications

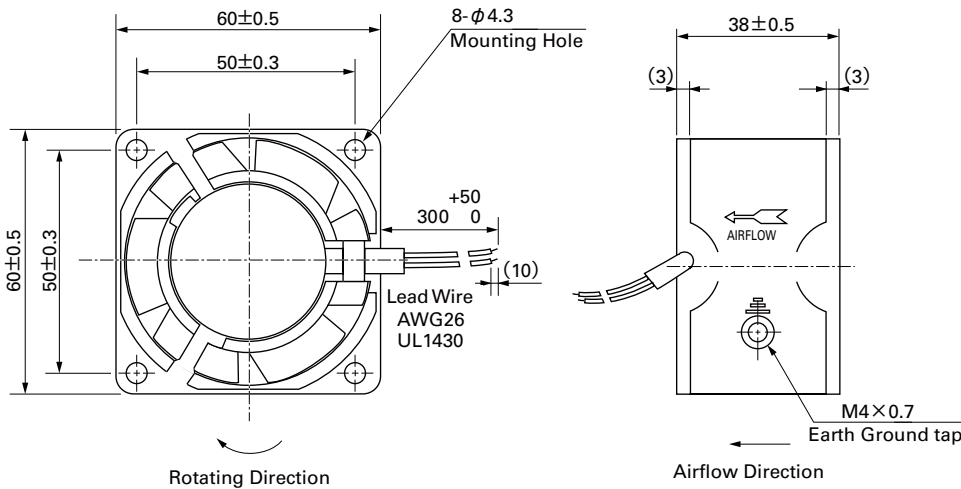
- Material ..... Frame: Aluminum,  
Impeller:Plastics (Flammability: UL94V-1)
- Expected Life ..... Refer to specifications (L10: Survival rate: 90% at 60°C ,  
rated voltage, and continuously run in a free air state)
- Dielectric Strength ..... 50/60Hz 1,500VAC 1minute (between lead conductor and frame)
- Lead Wire ..... Black, 2pcs
- Storage Temperature ..... -30°C to +70°C (Non-condensing)
- Operating Voltage Range ..... Voltage of each model ± 10%

**60×60×38mm** [Mass : 170g]

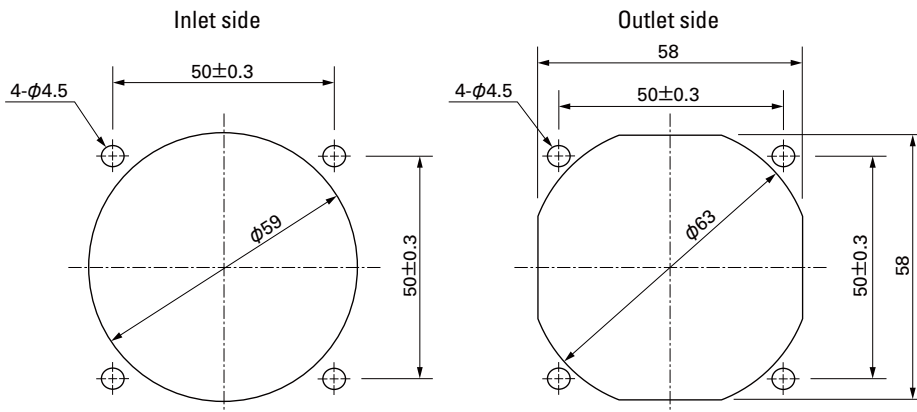
## Specifications

Model No.	Voltage [V]	Frequency [Hz]	Input [W]	Current [A]	Locked Rotor Current [A]	Rated Speed [min <sup>-1</sup> ]	Max. Airflow [m <sup>3</sup> /min] [CFM]	Max. Static Pressure [Pa] [inchH <sub>2</sub> O]	SPL [dB(A)]	Operating Temperature [°C]	Expected Life [h]
109-130	100	50/60	6/5	0.08/0.07	0.08/0.07	2,600/3,150	0.33/0.4 11.7/14.1	16.3/23.3 0.065/0.094	28/30	-30 to +60	25,000/60°C
109-133	115			0.07/0.06	0.07/0.06						

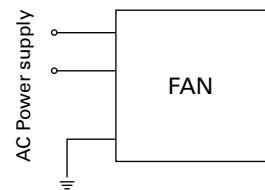
## Dimensions (unit: mm)



## Reference Dimensions of Mounting Holes and Vent Opening (unit: mm)



## Wiring Diagram

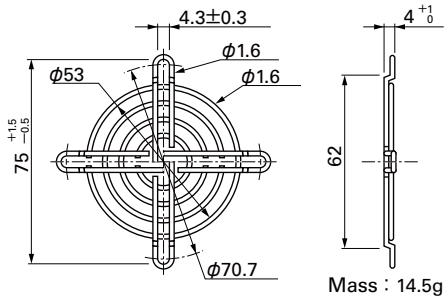


## Options (unit: mm)

### Finger Guards

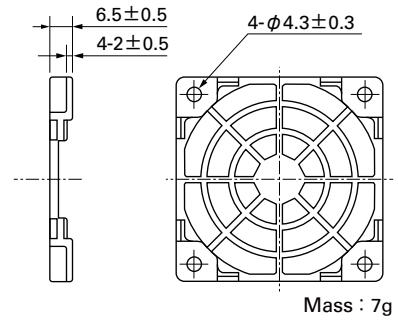
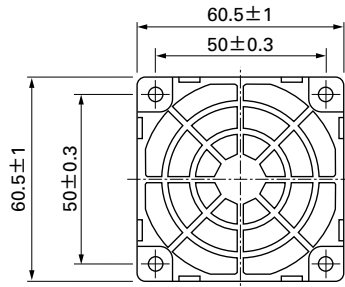
Model : 109-139E Surface treatment : Nickel-chrome plating (silver) Color : Silver  
 : 109-139H : Cation electropainting (black)

Inlet side, Outlet side



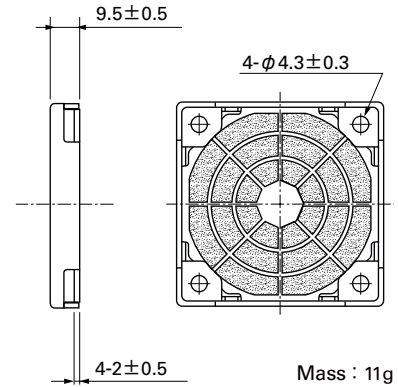
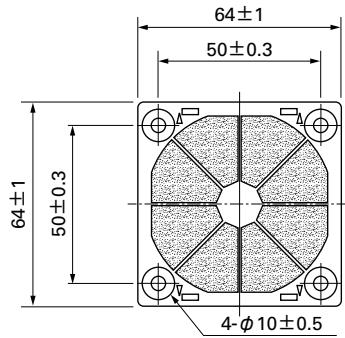
### Resin Finger Guards

Model : 109-1003G

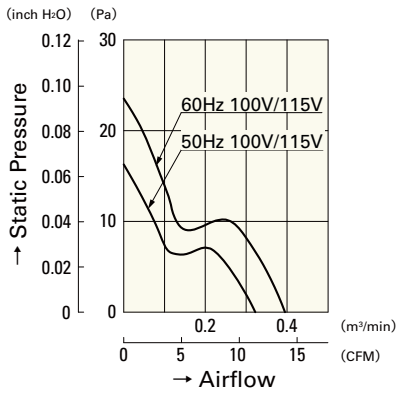


### Resin Filter Kits

Model : 109-1003F13 (13PPI), 109-1003F20 (20PPI)  
 : 109-1003F30 (30PPI), 109-1003F40 (40PPI)



## Airflow - Static Pressure Characteristics



109-130

109-133