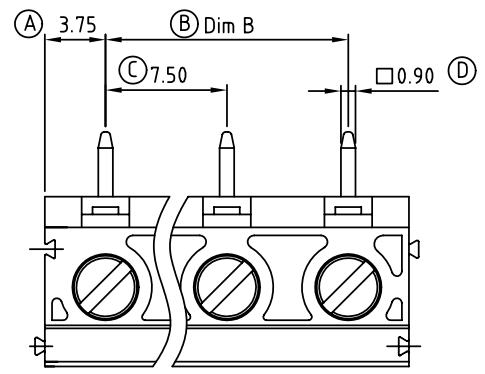


SIGN	DATE	DESCRIPTION	APPROVER
△	10/26/09	Wire guard solder pin is Changed from Brass to Copper	Aaron
△	11/09/10	Add is " VDE "	Aaron
THIS IS CAD DRAWING, DO NOT REVISE MANUALLY!!!			



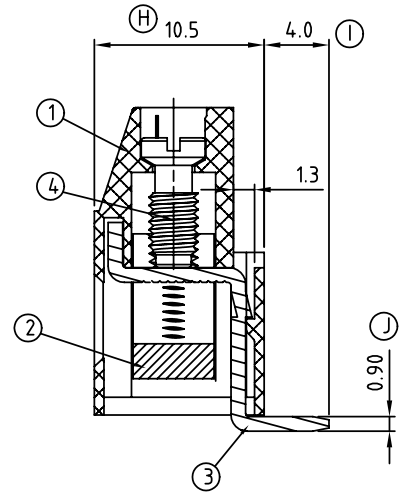
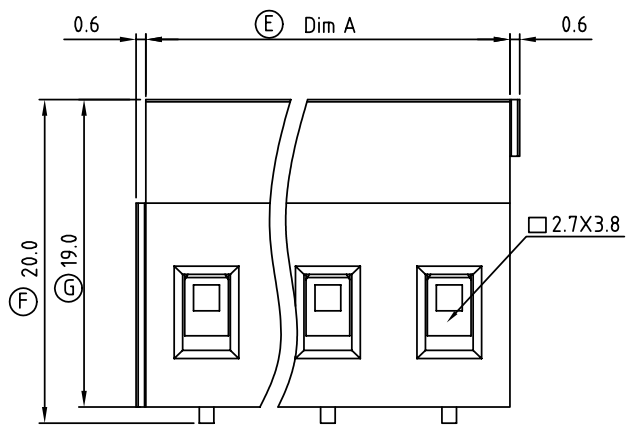
DIMENSION

Dim A	Dim B	Poles	Tolerance
Nx7.5	(N-1)x7.5	4p-8p	±0.15
		9p-12p	±0.25
		13p-16p	±0.35

N=Number of contacts

- Material:
- Item 1 Terminal housing:Thermoplastic (UL 94V-0)
  - Item 2 Clamp: Brass ,Ni plated
  - Item 3 Wire guard solder pin: Copper ,Tin plated
  - Item 4 Terminal screw: Steel Zinc plating"-slot type

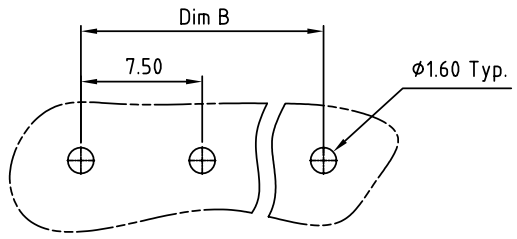
- Electrical
- |   |                        |
|---|------------------------|
| cULus                                     | VDE                    |
| ● Voltage rating: 300VAC                  | 750V                   |
| ● Current rating: 20A                     | 24A                    |
| ● Wire range :                            | 0.2-2.5mm <sup>2</sup> |
| ● Solid wire(AWG): 12-30                  |                        |
| ● Stranded wire(AWG): 12-30               |                        |
| ● Torque(Lb-In): 3.5                      | 0.5 N.m                |
| ● Screw: M3                               |                        |
| ● Wire strip length: 6-7mm                |                        |
| ● Withstanding Voltage: 1.6KV             | 3KV                    |
| ● Operating temperature: -40°C to +115°C  |                        |
| ● Soldering temperature: 250°C±10°C/5 Sec |                        |
| ● Safety Approval:                        |                        |



VJ xx 41 x 3 xxxx G

No. of poles	0 Black (RAL9005)	0000:"@"Logo (Standard )
04 4 CONTACTS	2 Red (RAL3001/D)	000A:"ANYTEK"Logo
05 5 CONTACTS	3 Orange(RAL2011/P)	Any special item by customer request,
... ..	4 Yellow(RAL1018/A)	please contact sales department.
16 16 CONTACTS	5 Green(RAL6018/T)	
	6 Blue (RAL5015/A)	
	8 Grey(RAL7035/D)	

RoHS Pb<40,000ppm



P.C.B LAYOUT

<b>ANYTEK</b>		<b>CUSTOMER COPY</b>	
ALL RIGHTS RESERVED. REPRODUCTION OR ISSUE TO THIRD PARTIES IN ANY FORM WHATSOEVER IS NOT PERMITTED WITHOUT WRITTEN AUTHORITY FROM THE PROPRIETOR. PROPERTY OF ANYTEK TECHNOLOGY CO., LTD			
TITLE	VJ-7.5 Series 4P-16P Vertical solid block ( 90D wire inlet )		
PART NO.	VJxx41x3xxxxG	DWG NO.	8VJ0207
APPROVED	CHECKED	DESIGNED	DRAWN
		Aaron 2010.11.09	Aaron 2009.10.26
SHEET: 01/01		UNIT: mm	Tolerance
		SCALE: NONE	X. ±0.50
		REV: D	X.X ±0.30
			X.XX ±0.10
			X° ±1°