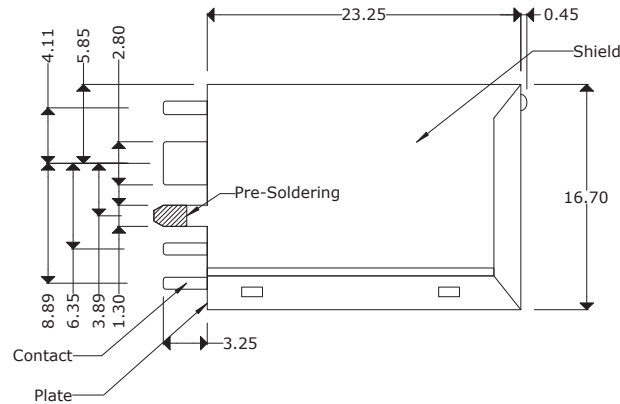
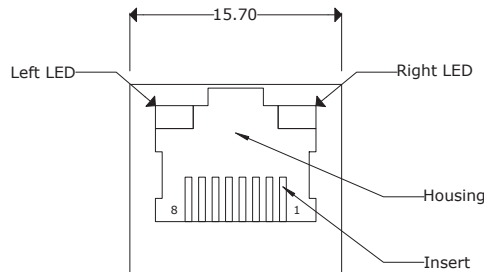
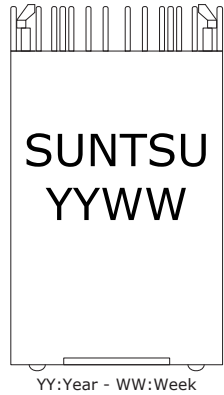
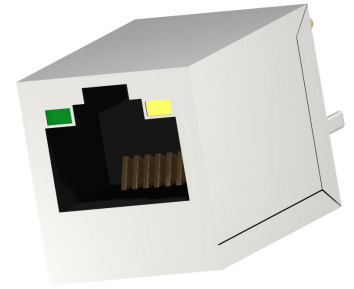
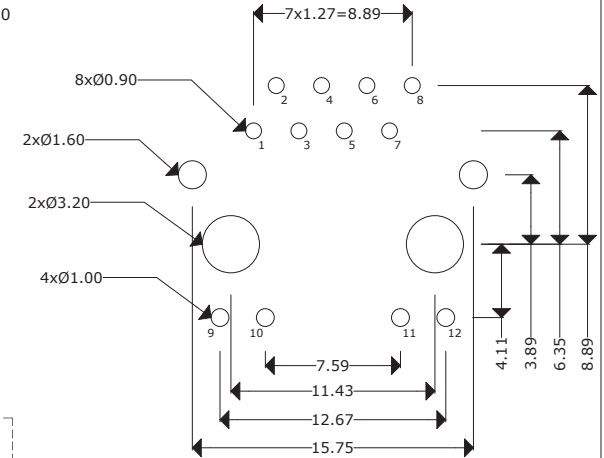


# SCNRJ - 8 8 GG M S N GY - 48 6H SO VTH

**SUNTSU**      **RJ45**      **CONTACTS** 8:8      **MAGNETIC** M: With      **EMI Finger** N: None      **OPERATING TEMP** 48: -40~85°C      **CONTACT TERMINATION** SO: SOLDER  
**CONNECTOR**      **POSITIONS** 8:8      **CONTACT PLATING** GG: 6u" Gold Plating      **SHIELD** S: With      **LED COLOR** GY: Left - Green Right - Yellow      **HEIGHT** 6H: 16.7mm      **MOUNTING STYLE** VTH: Vertical Through Hole



## PC Board Layout

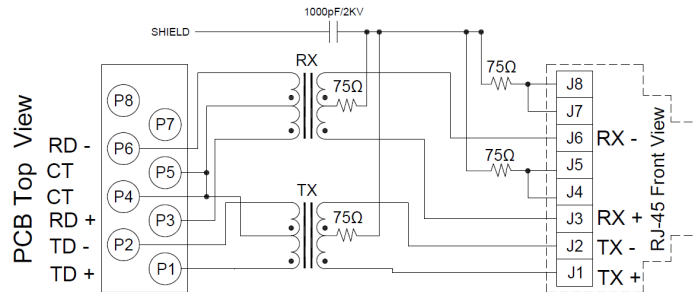


### Electrical Parameters

Turn Ratio(±5%): 1CT:1CT  
 OCL(100KHz/0.1V@8mA): 350uH MIN  
 Insertion Loss(dB TYP): -1.2dB(0.3-100MHz)  
 Return Loss(dB TYP): -18dB(1-10MHz), -16dB(30MHz), -12dB(60-80MHz)  
 Cross Talk(dB TYP): -30dB(1-10MHz), -30dB(30-60MHz), -30dB(60-100MHz)  
 CMR(dB TYP): -30dB(1-50MHz), -20dB(50-130MHz)  
 HI-POT(Pri to Sec): 1500Vrms/0.5mA/2sec

### Materials

Housing: Nylon 66 UL94V-0 Standard color Black  
 Insert: Phos-Bronze C5210 EH---0.35 Thickness  
 Insert: PBT GF UL94V-0  
 Insert Plating: (1) Nickel (2) 100% Sn (3) Gold (6u")  
 Contact Pin: Phos-Bronze C5191---0.35 Thickness  
 Contact Plating: (1) Nickel (2) 100% Sn  
 Shielding: Brass C2680 Plating Nickel



Remarks:  
 Operating Life: 750 Cycles MIN.

Standard LED	Wavelength	Forward*V(MAX)	TYP
Green	565nm	2.5V	2.2V
Yellow	585nm	2.5V	2.1V

With a forward current of 20mA



180° 10/100 BASE-T SINGLE PORT RJ45 JACK MAGNETICS

### Document History

Edits Made	Date	Edited By	Approved By
Initial Release	10/06/2021	B. Gibbons	KH Mun

Part No.	SCNRJ-88GGMSNGY-486HSOVTH
Scale	Not drawn to scale
Unit	mm

Drawn	B. Gibbons	10/06/2021
Tolerance	Unless otherwise specified, all tolerances are ±0.25	
Pages	1/1	