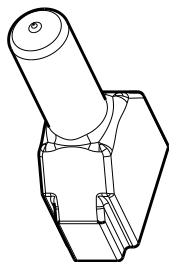
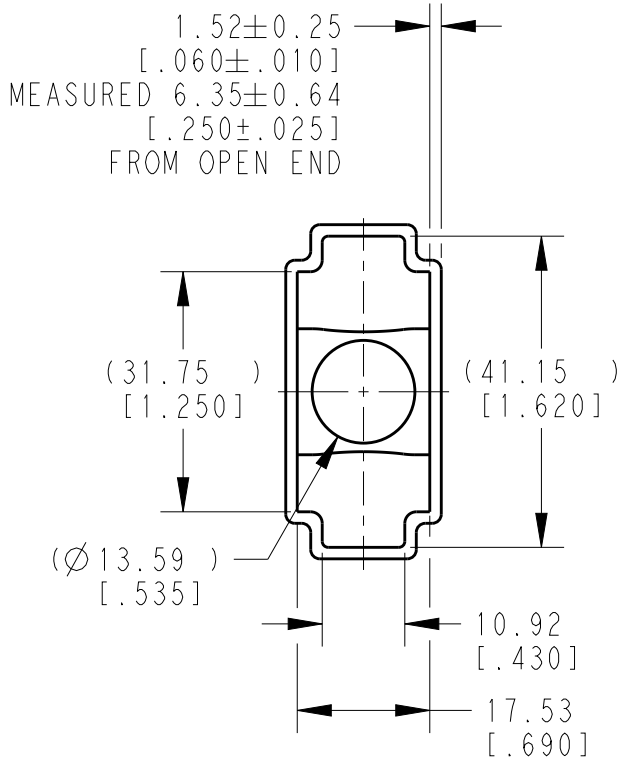


REVISIONS

P	LTR	DESCRIPTION	DATE	DWN	APVD
	A	NEW RELEASE PER ECO-14-008764	27JUN2014	DM	DM
	A1	REVISED PER PCN E-18-020078	28DEC2018	JA	DM
	A2	REVISED PER PCN E-19-009195	11JUL2019	JA	IG



SCALE 1:2



- 4 SMALL MATERIAL EXTENSION IS ACCEPTABLE ON THIS END ALL AROUND.
3. THIS ACCESSORY PART IS PROVIDED WITHOUT TYPICAL TRANSPORTATION INDUSTRY PROCESS CONTROLS. NO VALIDATION TESTING HAS BEEN PERFORMED. CUSTOMER IS RESPONSIBLE FOR DETERMINING PRODUCT PERFORMANCE AND SUITABILITY FOR APPLICATION.
2. TEMPERATURE RATING: -29°C TO +100°C [-20°F TO +212°F].
1. THIS PART IS USED ON DT06-12SX (X=A,B,C,D KEYS) PLUG WITH ANY MODIFICATION THAT DOES NOT INCLUDE AN END CAP.

NOTES:

TE INTERNAL PN	DEUTSCH PN
DT12S-BT-BK	DT12S-BT-BK

2018
RELEASED FOR PUBLICATION
ALL RIGHTS RESERVED.
COPYRIGHT 2014
BY TE CONNECTIVITY

DIMENSIONS: mm [INCHES]	DWN D.MEYER	27JUN2014	MATERIAL	PVC	FINISH	BLACK
	CHK R.MESSENGER	27JUN2014	TE Connectivity			
TOLERANCES UNLESS OTHERWISE SPECIFIED:	APVD D.MEYER	27JUN2014				
0 PLC ±	PRODUCT SPEC		SIZE	CAGE CODE	DRAWING NO	RESTRICTED TO
1 PLC ±	APPLICATION SPEC		A 4	4AFU8	©-DT12S-BT-BK	-
2 PLC ±			WEIGHT	9.22 g		
3 PLC ±0.63 [.025]			CUSTOMER DRAWING	SCALE	1:1	SHEET 1 OF 1
4 PLC ±						REV A2
ANGLES ±0°30'0"						