

# CGA9P3X7T2E225K250KA

TDK Item Description : CGA9P3X7T2E225KT\*\*\*



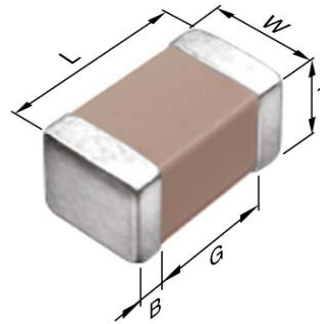
Equivalent C5750X7T2E225K for Automotive

## Application & Main Feature

Automotive Grade ( Mid Voltage (100 to 630V) )

## Series

CGA9(5750) [EIA CC2220]



## Dimensions

L 5.70mm +/-0.4mm  
 W 5.00mm +/-0.4mm  
 T 2.50mm +/-0.3mm  
 B 0.20mm Min.  
 G

## Temperature Characteristic

X7T (-55 to 125 degC +22,-33%)

## Rated Voltage

2E (250Vdc)

## Capacitance

2.2uF

## Capacitance Tolerance

K (+/-10%)

## Dissipation Factor

2.5% Max.

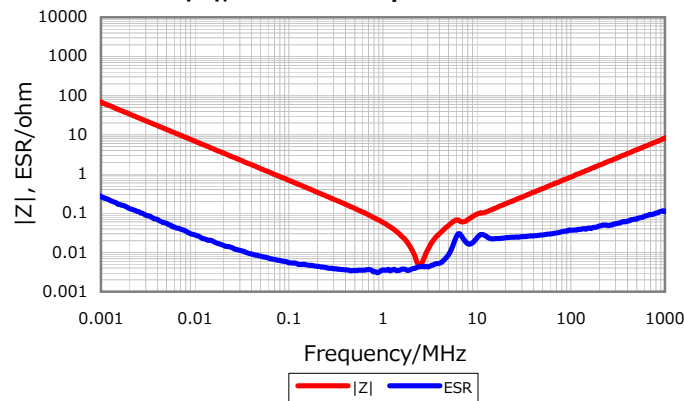
## Insulation Resistance

227Mohm Min.

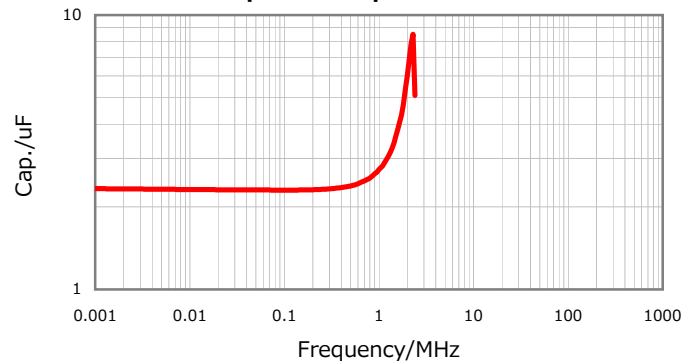
## AEC-Q200

Yes

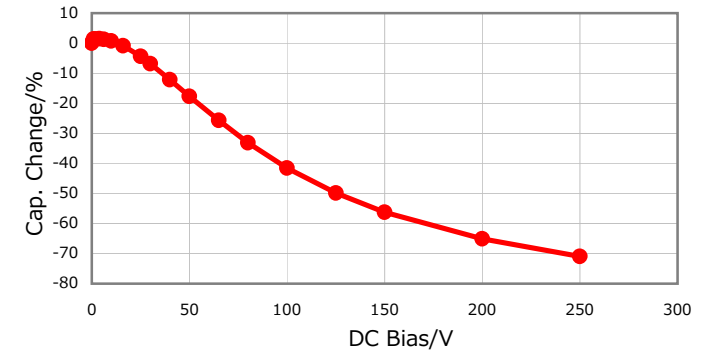
## |Z|, ESR vs. Freq. Characteristics



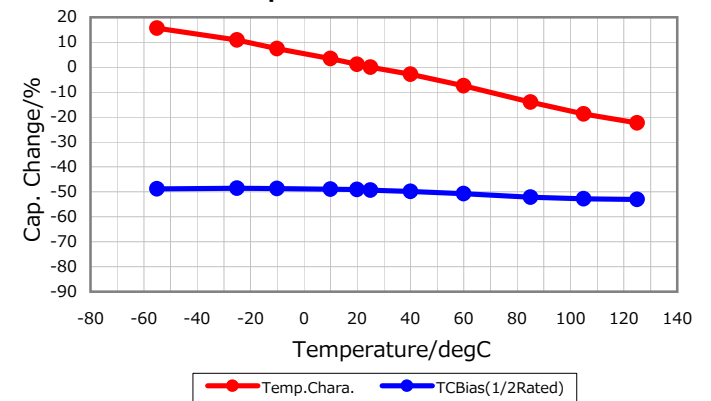
## Cap. vs. Freq. Characteristic



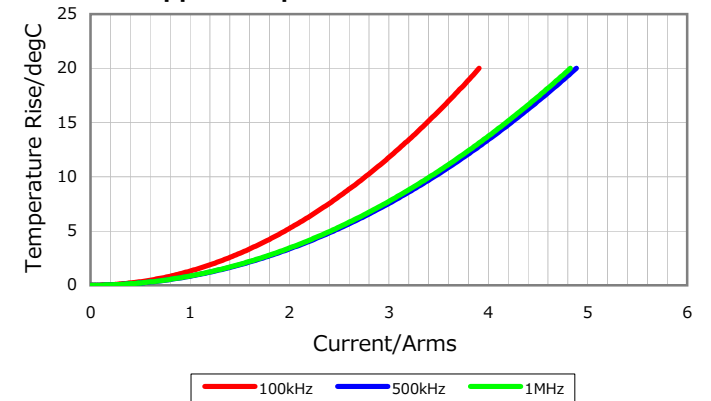
## DC Bias Characteristic



## Temperature Characteristics



## Ripple Temperature Rise Characteristics



Characterization Sheet ( Multilayer Ceramic Chip Capacitors )



All specifications are subject to change without notice.

January 4, 2016