

ターミナル装着図
TERMINAL ASSEMBLY DRAWING

注記:
NOTES:

- ① 材質: TABLE 1参照
MATERIAL: SEE TABLE 1.
- ② 極数 / 2 = 偶数に適合
APPLY TO CIRCUIT SIZE / 2 = EVEN.
- ③ 製品仕様書、コネクタ取扱説明書、適合嵌合相手、適合ターミナルは SHEET 3をご参照ください。
PLEASE REFER TO SHEET 3 FOR PRODUCT SPECIFICATION, APPLICATION SPECIFICATION, MATE WITH AND APPLICABLE TERMINAL.
- ④ 発注番号: SHEET 3 参照
ORDER NUMBER: PLEASE REFER TO SHEET 3

505432 ** 0 *	番号 NO.	ハウジングカラー HOUSING COLOR
極数 CIRCUIT SIZE	0	ナチュラル(白) NATURAL (WHITE)
	1	黒 BLACK
	2	赤 RED
	4	青 BLUE
	6	緑 GREEN

25	29.7	42
23.75	28.45	40
22.5	27.2	38
21.25	25.95	36
20	24.7	34
18.75	23.45	32
17.5	22.2	30
16.25	20.95	28
15	19.7	26
13.75	18.45	24
12.5	17.2	22
11.25	15.95	20
10	14.7	18
8.75	13.45	16
7.5	12.2	14
6.25	10.95	12
5	9.7	10
3.75	8.45	8
B	A	極数 CIRCUIT SIZE

① TABLE 1

部品 PART	材質 MATERIAL
ハウジング HOUSING	ポリエステル(PBT), UL94V-0, 色: SHEET 3参照 POLYESTER(PBT), UL94V-0, COLOR:SEE SHEET 3.
DOCUMENT STATUS	P1
RELEASE DATE	2023/02/16 15:22:23

THIS DRAWING CONTAINS INFORMATION THAT IS PROPRIETARY TO MOLEX ELECTRONIC TECHNOLOGIES, LLC AND SHOULD NOT BE USED WITHOUT WRITTEN PERMISSION		CURRENT REV DESC:		molex	
DIMENSION UNITS	SCALE	EC NO: 736271			
mm	NTS	DRWN: SOKUMURA01 2022/12/27		MICRO-LOCK PLUS 1.25 W/B DUAL ROW RECEPTACLE HOUSING	
GENERAL TOLERANCES (UNLESS SPECIFIED)		CHK'D: SAKIYAMA 2023/02/16		PRODUCT CUSTOMER DRAWING	
ANGULAR TOL	± 3.0°	APPR: AIDA 2023/02/16		DOCUMENT NUMBER	
4 PLACES	± 0.2	INITIAL REVISION:		5054320000	
3 PLACES	± 0.2	DRWN: TAKAIKE 2017/02/10		DOC TYPE	
2 PLACES	± 0.2	APPR: TKANEKO 2017/04/03		PSD	
1 PLACE	± 0.2	SERIES		000	
0 PLACES	± 0.2	MATERIAL NUMBER		H	
DRAFT WHERE APPLICABLE MUST REMAIN WITHIN DIMENSIONS		THIRD ANGLE PROJECTION	DRAWING	SHEET NUMBER	REVISION
			A3-SIZE	505432	1 OF 3
			SEE SHEET 3	GENERAL	

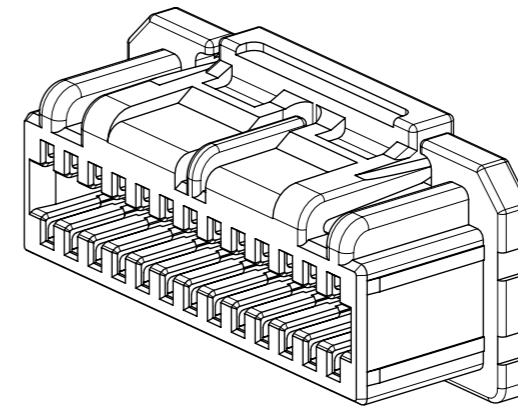
製品形状
PRODUCT SHAPE



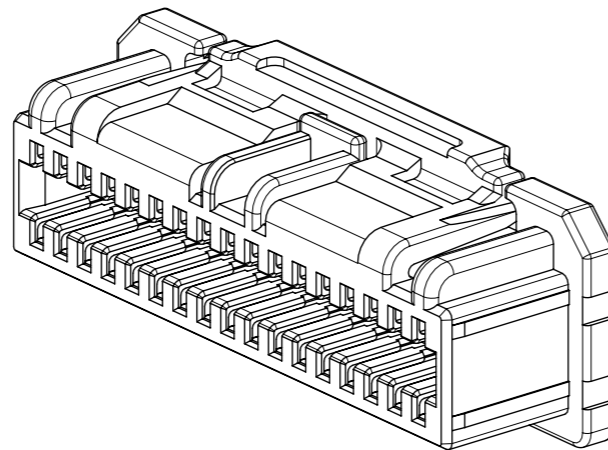
8-14極
8-14 CIRCUIT



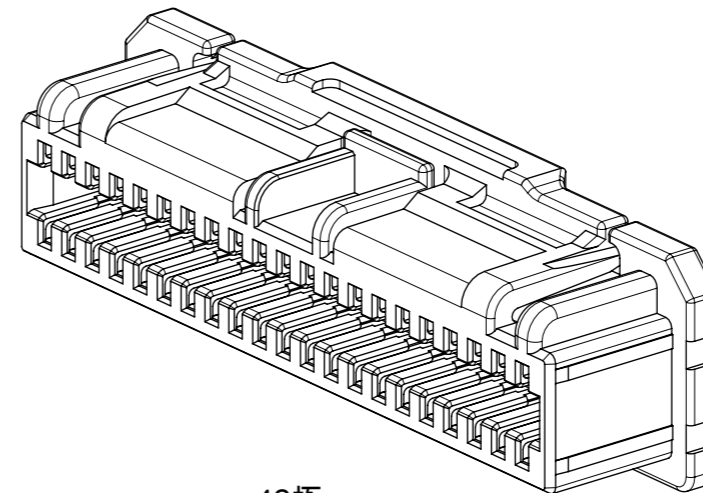
16-24極
16-24 CIRCUIT



26-32極
26-32 CIRCUIT



34-40極
34-40 CIRCUIT



42極
42 CIRCUIT

THIS DRAWING CONTAINS INFORMATION THAT IS PROPRIETARY TO MOLEX ELECTRONIC TECHNOLOGIES, LLC AND SHOULD NOT BE USED WITHOUT WRITTEN PERMISSION									
DIMENSION UNITS		SCALE		CURRENT REV DESC:				molex	
mm		NTS							
GENERAL TOLERANCES (UNLESS SPECIFIED)				EC NO: 736271				MICRO-LOCK PLUS 1.25 W/B DUAL ROW RECEPTACLE HOUSING	
ANGULAR TOL ± 3.0 °				DRWN: SOKUMURA01 2022/12/27					
4 PLACES ± 0.2				CHK'D: SAKIYAMA 2023/02/16				PRODUCT CUSTOMER DRAWING	
3 PLACES ± 0.2				APPR: AIDA 2023/02/16					
2 PLACES ± 0.2				INITIAL REVISION:				DOCUMENT NUMBER	
1 PLACE ± 0.2				DRWN: TAKAIKE 2017/02/10				5054320000	
0 PLACES ± 0.2				APPR: TKANEKO 2017/04/03				PSD 000 H	
DRAFT WHERE APPLICABLE MUST REMAIN WITHIN DIMENSIONS				THIRD ANGLE PROJECTION		DRAWING		SERIES	
				A3-SIZE		505432		MATERIAL NUMBER	
						SEE SHEET 3		CUSTOMER	
						GENERAL		SHEET NUMBER	
						2 OF 3			

△ 3 適合製品及び各種仕様書 APPLICABLE PRODUCTS AND VARIOUS SPECIFICATIONS

梱包仕様書 PACKAGING SPECIFICATION	PART NUMBER		SPECIFICATION NUMBER		
	505432**0*		5054329200 PS 200		
適合ターミナル APPLICABLE TERMINAL	PART NUMBER		PLATING TYPE		WIRE SIZE(AWG)
	5054311000		TIN		
	5054311*00 1,2,3 ↑		GOLD		#26-30
適合嵌合相手 MATE WITH	TIN PLATING		GOLD PLATING		
	VERTICAL	RIGHT ANGLE	VERTICAL	RIGHT ANGLE	
シリーズ番号 SERIES NUMBER	505433**** 7,8 ↑	505448**7*	505433**** 2,3,4,5,6,9 ↑	505448**** 3,5,9 ↑	
製品仕様書 PRODUCT SPECIFICATION	5054320000 PS 002		5054320000 PS 006		
コネクタ取扱説明書 APPLICATION SPECIFICATION	5054320000-AS PS 000				

製品嵌合図は各嵌合相手図面を参照のこと
MATING VIEW : REFER TO EACH "MATE WITH" PART DRAWING.

△ 4 505432**0* 発注番号一覧 ORDER NUMBER LIST

GREEN	BLUE	RED	BLACK	NATURAL (WHITE)	HOUSING COLOR
5054324206	5054324204	5054324202	5054324201	5054324200	42
5054324006	5054324004	5054324002	5054324001	5054324000	40
5054323806	5054323804	5054323802	5054323801	5054323800	38
5054323606	5054323604	5054323602	5054323601	5054323600	36
5054323406	5054323404	5054323402	5054323401	5054323400	34
5054323206	5054323204	5054323202	5054323201	5054323200	32
5054323006	5054323004	5054323002	5054323001	5054323000	30
5054322806	5054322804	5054322802	5054322801	5054322800	28
5054322606	5054322604	5054322602	5054322601	5054322600	26
5054322406	5054322404	5054322402	5054322401	5054322400	24
5054322206	5054322204	5054322202	5054322201	5054322200	22
5054322006	5054322004	5054322002	5054322001	5054322000	20
5054321806	5054321804	5054321802	5054321801	5054321800	18
5054321606	5054321604	5054321602	5054321601	5054321600	16
5054321406	5054321404	5054321402	5054321401	5054321400	14
5054321206	5054321204	5054321202	5054321201	5054321200	12
5054321006	5054321004	5054321002	5054321001	5054321000	10
5054320806	5054320804	5054320802	5054320801	5054320800	8
発注番号 ORDER NUMBER					極数 CIRCUIT SIZE
梱包形態 : ポリ袋 PACKAGING : POLYBAG PACKAGE					

THIS DRAWING CONTAINS INFORMATION THAT IS PROPRIETARY TO MOLEX ELECTRONIC TECHNOLOGIES, LLC AND SHOULD NOT BE USED WITHOUT WRITTEN PERMISSION									
DIMENSION UNITS		SCALE		CURRENT REV DESC:				molex	
mm		NTS							
GENERAL TOLERANCES (UNLESS SPECIFIED)				EC NO: 736271				MICRO-LOCK PLUS 1.25 W/B DUAL ROW RECEPTACLE HOUSING	
ANGULAR TOL ± 3.0 °				DRWN: SOKUMURA01 2022/12/27					
4 PLACES ± 0.2				CHK'D: SAKIYAMA 2023/02/16				PRODUCT CUSTOMER DRAWING	
3 PLACES ± 0.2				APPR: AIDA 2023/02/16					
2 PLACES ± 0.2				INITIAL REVISION:				DOCUMENT NUMBER	
1 PLACE ± 0.2				DRWN: TAKAIKE 2017/02/10				5054320000	
0 PLACES ± 0.2				APPR: TKANEKO 2017/04/03				PSD 000 H	
DRAFT WHERE APPLICABLE MUST REMAIN WITHIN DIMENSIONS		THIRD ANGLE PROJECTION		DRAWING		SERIES		MATERIAL NUMBER	
				A3-SIZE		505432		SEE CHART	
						CUSTOMER		GENERAL	
								SHEET NUMBER	
								3 OF 3	